

# Installation & Servicing Instructions

## High efficiency condensing gas boiler Q85SN/Q130SN/Q175SN/Q205SN/Q175CN Q85SP/Q130SP/Q175SP/Q205SP/Q175CP



Pictured: Q85SN, Q130SN  
Q85SP, Q130SP

### CAUTION!

Read this manual thoroughly before installing, servicing, putting into operation or using this boiler and vent system.

### WARNING!

Improper installation, adjustment, alteration, service or maintenance can cause property damage, personal injury (exposure of hazardous materials)\* or loss of life. Refer to the user's information manual provided with this boiler. Installation and service must be performed by a licensed professional, service agency or the gas supplier (who must read and follow the supplied instructions before installing, servicing, or removing this boiler).

### CAUTION!

The user manual is part of the documentation that is delivered to the installation's operator. Go through the information in this manual with the owner/operator and make sure that they are familiar with all necessary operating instructions.

### NOTICE!

Installation and service must be performed by a licensed professional, service technician or the gas supplier.



### WARNING!

If you do not follow these instructions exactly, a fire or explosion may result causing property damage, personal injury or loss of life.

- Do not store or use gasoline or other flammable vapors and liquids in the vicinity of this or any other appliance.
- **WHAT TO DO IF YOU SMELL GAS**
  - Do NOT try to light any appliance.
  - Do NOT touch any electrical switch.
  - Do NOT use any phone in your building.
  - Immediately call your gas supplier from a neighbor's phone. Follow the gas supplier's instructions.
  - If you cannot reach your gas supplier, call the fire department.

# Rinnai®

EXPERIENCE OUR INNOVATION™

Address: 103 International Drive, Peachtree City, GA, 30269  
Toll-free: 1-800-621-9419 • Fax: 678-829-1666 • www.rinnai.us



8W.51.40.07 / 01.17 Changes reserved.

These instructions to be retained by user.

Français: voir page 103

**Contents of instructions**

These installation instructions contain important information for the safe installation, start-up and maintenance of boilers with capacities 85,000 through 205,000 BTU/hr.

These installation instructions are intended for licensed professionals, who have the necessary knowledge and are approved for working on heating and gas systems.

**Subject to technical changes**

Changes may be made without notice to the illustrations, process steps and technical data as a result of our policy of continuous improvement.

**Updating of documentation**

Please contact us if you have any suggestions for improvements or corrections.

Find our contact details on the back of this manual.

---

# Content

1	Safety and general instructions	4	7	External domestic hot water tanks	45
1.1	Designated use	4	8	Electrical connections	45
1.2	Hazard definitions	4	9	Boiler controls	49
1.3	Symbol definitions	4	9.1	Explanation of the function buttons	50
1.4	The following instructions must be followed	5	10	Starting up: Filling and de-aerating the boiler and installation	51
1.5	Follow these instructions for the space heating water	6	10.1	Requirements of the water system	51
1.6	Tools, materials and additional equipment	6	10.2	Filling the heating system	52
1.7	Relevant Installation, Service and User manuals	6	10.3	Hot water supply (only Q175C)	53
1.8	Disposal	7	11	Adjustments	55
2	Regulations and guidelines	7	11.1	Altering adjustments	55
3	Description of the boiler	8	11.2	Activating factory settings (green button function)	58
4	Packaging and transportation	9	12	Isolating the boiler	58
4.1	Scope of delivery	9	13	Commissioning	60
4.2	Transportation	9	13.1	Testing for gas leaks	61
5	Installation	10	13.2	Testing the Ignition Safety shut off device	61
5.1	Requirements for the installation room	10	13.3	Checking the O <sub>2</sub> at full load (Step 1/3)	62
5.2	Fitting the boiler	11	13.3.1	Checking the O <sub>2</sub> at low load (Step 2/3)	63
5.3	Dimensions	12	13.3.2	Settings on the gas valve (Step 3/3)	64
5.3.1	Plumbing Kits	15	13.4	Measuring the ionization current	65
5.3.2	Clearances from the boiler	16	13.5	Installing the casing	66
5.4	Technical specifications	17	14	Maintenance	66
6	Connecting the boiler	18	14.1	Periodic examination of venting systems and boiler	66
6.1	Central heating system	18	14.2	Inspection	66
6.1.1	Plumbing Kits and installation	20	14.3	Maintenance activities	68
6.1.2	Side mounting kit for the Low Loss Header	24	14.3.1	Reset service interval counter	70
6.1.3	Safety valve	24	14.4	Limited warranty	70
6.1.4	Low water cut off	24	15	Parts of the boiler	71
6.2	Boiler expansion tank	25	16	Blocks and Errors	72
6.3	Underfloor heating system (plastic pipes)	25	17	Spare parts	80
6.4	Gas connection	26	18	Parts list vent system	98
6.5	Hot water supply (Combi boiler Q175CNQ175CP)	28	19	Common venting guidelines	100
6.5.1	Domestic Water quality	28	Appendix A	Outdoor Reset Sensor Data	101
6.5.2	Domestic water treatment Accessory	29	Appendix B	Resistance table NTC sensors	102
6.5.3	DHW Expansion Tank	29			
6.5.4	Installing a valve kit	29			
6.5.5	Pressure relief Valve for Combi boilers	30			
6.6	Condensate drain pipe	30			
6.7	Vent system and air supply system	31			
6.7.1	Intake / Exhaust Guidelines	31			
6.7.2a	Examples vent and air supply systems (concentric)	32			
6.7.2b	Examples vent and air supply systems (parallel)	33			
6.7.3	Installation of the vent system	34			
6.7.3.1	Boiler conversion from concentric to parallel	35			
6.7.3.2	Installing air filter	35			
6.7.4	Recommended vent/air intake terminal position	36			
6.7.5	Direct vent closet and alcove installation	38			
6.7.6	Dimensioning of the exhaust and air intake duct	39			
6.7.7	Combustion air and vent piping lengths	40			
6.7.8	Calculation of compensation factor	41			
6.7.9	Room Air System (indoor combustion air)	42			

# 1 Safety and general instructions

Please observe these instructions in the interest of your own safety.

## 1.1 Designated use

The boiler is designed for heating water for a central heating system and, if applicable, generating domestic hot water. The boiler is delivered with a burner controller (MCBA) pre-installed. The boiler can be fitted with a modulating outdoor reset sensor ARV12 (included with the boiler) or an On/Off thermostat or relay panel end switch (accessories).

## 1.2 Hazard definitions

The following defined terms are used throughout the documentation to bring attention to the presence of hazards of various risk levels. Notices give important information concerning the operation of the product.



**DANGER**

**DANGER:**

Indicates the presence of hazards that will cause severe personal injury, death or substantial property damage.



**WARNING**

**WARNING:**

Indicates the presence of hazards that can cause severe personal injury, death or substantial property damage.



**CAUTION**

**CAUTION:**

Indicates presence of hazards that will or can cause minor personal injury or property damage.



**CAUTION**

**CAUTION:**

Risk of electric shock. Indicates presence of hazards due to electric shock.



**NOTICE**

**NOTICE:**

Indicates special instructions on installation, operation or maintenance that are important but not related to personal injury or property damage.

## 1.3 Symbol definitions

The following (safety) symbols may be encountered in these installation instructions and on the unit:



**This symbol indicates that the unit must be stored away from freezing conditions.**



**This symbol indicates that the packaging and/or contents can be damaged as a result of insufficient care taken during transport.**



**This symbol indicates that, while still in its packaging, the unit must be protected from weather conditions during transport and storage.**

## 1.4 The following instructions must be followed

- The boiler must only be used for its designated purpose, as described in the Installation Instructions.
- Each unit is fitted with a data plate. Consult the details on this plate to verify whether the boiler is compliant with its intended location, e.g.: gas type, power source and venting classification.
- Only use the boiler with the accessories and spare parts listed.
- Other combinations, accessories and consumables may only be used if they are specifically designed for the intended application and do not affect the system performance and the safety requirements.
- Maintenance and repairs must be performed by a licensed professional.
- Installation of a condensing gas boiler must be reported to the relevant gas utility company and have it approved.
- You are only allowed to operate the condensing gas boiler with the vent system that has been specifically designed and approved for this type of boiler.
- Please note that local permission for the vent system and the condensate water connection to the public sewer system may be required.

You must also respect:

- The local building codes stipulating the installation rules.
- The local building codes concerning the air intake and outlet systems and the chimney connection.
- The regulations for the power supply connection.
- The technical rules established by the gas utility company concerning the connection of the gas connection to the local gas mains.
- The instructions and standards concerning the safety equipment for the water/ space heating system.
- The Installation Instructions for building heating systems.
- The boiler must be located in an area where leakage of the boiler or connections will not result in damage to the area adjacent to the boiler or to lower floors of the structure. When such locations cannot be avoided, it is recommended that a suitable drain pan be installed under the boiler.
- The boiler must be installed in such way that the all components are protected from water (dripping, spraying, rain etc.) during boiler operation and service.
- The boiler must not be installed on or against carpeting.
- Do not restrict or seal any air intake or outlet openings.
- If you find any defects, you must inform the owner of the system of the defect and the associated hazard in writing.



**WARNING**

**In failure to properly commission the boiler as described in section 13 may result unreliable burner operation, reduced component life, and unsafe boiler operation.**



**DANGER**

**DANGER. Gas is flammable and may cause an explosion.  
Beware if you smell gas: there may be an explosion hazard!**

If the information in these instructions is not followed exactly, a fire or explosion may result causing property damage, personal injury or death.

- Do not store or use gasoline or other flammable vapors and liquids in the vicinity of this or any other appliance.



**WARNING**

### **WHAT TO DO IF YOU SMELL GAS**

- Do NOT try to light any appliance.
- Do NOT touch any electrical switch.
- Do NOT use any phone in your building.
- Immediately call your gas supplier from a neighbor's phone. Follow the gas supplier's instructions.
- If you cannot reach your gas supplier, call the fire department.



**WARNING**

**Should overheating occur or the gas supply fail to shut off, do not turn off or disconnect the electrical supply to the pump. Instead, shut off the gas supply at a location external to the boiler.**



## NOTICE

Chemicals that are corrosive in nature should not be stored or used near the boiler or vent termination.

### 1.5 Follow these instructions for the space heating water

Unsuitable heating system water can cause the formation of scale or sludge, which affects system efficiency. It can also cause corrosion and reduce life of the heat exchanger.

- You must follow Rinnai guidelines for boiler water quality.
- Thoroughly flush the system prior to filling.
- Follow the Rinnai cleaning instructions.
- Never use water that has been treated by a reverse osmosis, D.I., or distilled water to soften the water to fill the heating system.
- Do not use inhibitors or other additives unless approved by Rinnai for that purpose.
- When freeze protection of the heating system is desired, only use Rinnai-approved antifreezes. The allowed maximum concentration is 50%.
- When using oxygen-permeable pipes, e. g. for under floor heating systems, you must separate the system from the boiler using plate heat exchangers.
- Valve off boiler while flushing system, do not introduce any system cleaner into the boiler loop. Flush system thoroughly to remove all system cleaner before filling boiler.

**Approved antifreeze:** (max. concentration 50%)

- Rhomar RhoGard Mutli-Metal (AL safe)
- Noble Noburst AL
- Sentinel X500
- Fernox Alpha 11

**Approved system cleaner:**

- Noble Noburst Hydronic System Cleaner
- Rhomar Hydro-Solv 9100
- Fernox F3 Cleaner
- Sentinel X400



## NOTICE

**The system cleaners from NoBurst, Rhomar, and Fernox are not to be used in the boiler. The boiler must be closed off (valved off) from the rest of the system or not connected while the cleaners are in the system. The system should then be drained and then thoroughly flushed with clean water to remove all the system cleaner.**

**Approved inhibitors:**

- Rhomar Pro-tek 922
- Noble Noburst AL inhibitor
- Sentinel X100

See the Rinnai Boiler Applications Manual or Chapter 6 and 10 of this manual for additional information.



## NOTICE

**If problems occur when using sanitary water with a chlorine content higher than 150 mg/l, no recourse can be made to the terms of the limited warranty.**

### 1.6 Tools, materials and additional equipment

For the installation and maintenance of the boiler you will need:

- Standard tools for space heating, gas and water fitting
- Digital manometer that is capable of reading both positive and negative pressures
- Combustion analyzer (intended for use with condensing boilers)
- Digital multimeter
- pH digital meter
- Metric Allen wrenches
- Metric socket wrenches

In addition, a handtruck with a fastening belt is useful.

For maintenance of the boiler you will need, apart from standard tools for space heating, gas and water fittings the following items:

- Rinnai toolkit Q and E-Series

## 1.7 Relevant Installation, Service and User manuals

- Approved vent system
- Rinnai Boiler Applications Manual
- User manual

## 1.8 Disposal

- Dispose of the boiler packaging in an environmentally sound manner.
- Dispose of components of the heating system (e.g. boiler or control device), that must be replaced in an environmentally responsible manner.

## 2 Regulations and guidelines

The installation must comply to the requirements of the authority having jurisdiction or, in the absence of such requirements, to the latest edition of the National Fuel Gas Code, ANSI Z223.1/NFPA 54. In Canada, installation must be in accordance with the requirements of CAN/CSA B149.1, Natural Gas and Propane Installation Code.

Where required by the authority having jurisdiction, the installation must comply to the Standard for Controls and Safety Devices for Automatically Fired Boilers, ANSI/ASME CSD-1.

Install CO detectors per local regulations. Boiler requires an inspection every 2 years or 4000 hours and maintenance every 4 years or 8000 hours. See maintenance section chapter 14.

Operating Limits of the boiler:

Max. boiler temperature: 176 °F (80 °C)

Max. operating pressure: 45 psi (3 bar)

Max. Allowable Working Temperature ASME: 200 °F (93 °C)

Max. Allowable Working Pressure ASME: 45 psi (3 bar)

The hot water distribution system must comply with all applicable codes and regulations. When replacing an existing boiler, it is important to check the condition of the entire hot water distribution system to ensure safe operation.

**Room sealed boiler**

The boiler retrieves its combustion air from outside then discharges the flue gasses to the outside.

**Condensing**

Retrieves heat as much as possible from the flue gasses. Water condensates on the heat exchanger.

**Modulating**

Stepless higher or lower burning according to the heat demand.

The Rinnai Q boiler is a room sealed, condensing and modulating central heating boiler, with an optional integrated DHW cylinder (integrated DHW on the Q175C only). The QxxS boiler models have the ability to control a domestic hot water indirect tank.

The boiler is provided with a compact stainless steel heat exchanger with smooth tubes. This design is a well engineered principle using durable materials.

The boiler burns gas for supplying heat. The heat is transferred in the heat exchanger to the water in the central heating system. By cooling down the exhaust gases condensate is formed. This results in high efficiency. The condensate, which has no effect on the heat exchanger and the function of the boiler, is drained through a condensate collector trap.

The boiler is provided with an intelligent control system (CMS Control Management System). The boiler anticipates the heat demand of the central heating system or the domestic hot water facility system.

When an outdoor sensor is connected to the boiler it will operate weather dependantly using outdoor reset. This means that the boiler control measures the outside temperature and supply temperature. With this data the boiler calculates the optimal supply temperature for the installation.

Explanation of the type indication:

Rinnai Q205SN

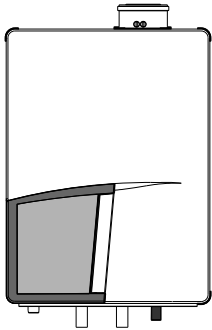
Q = Type

205 = Nominal load in (x1,000) BTU

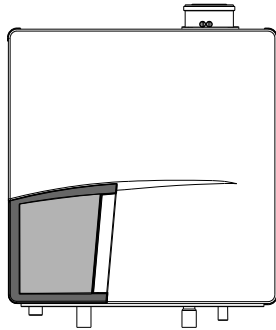
S = System/Solo (C = Combi)

N = Natural Gas (P = Propane Gas)

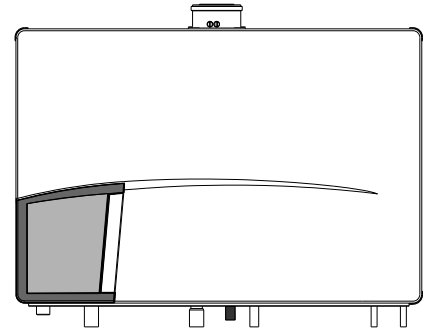
Different boiler types:



System/Solo boilers:  
Q85SN, Q130SN  
Q85SP, Q130SP



Q175SN, Q205SN  
Q175SP, Q205SP



Combi boiler with integrated DHW cylinder  
Q175CN  
Q175CP

## 4 Packaging and transportation

### 4.1 Scope of delivery

The boiler is supplied ready for use.

- Please check if the packaging is intact.
- Check if all the items listed are included in the delivery.

The supply kit contents:

Description	Amount		
	Q85S Q130S	Q175S Q205S	Q175C
<b>Boiler with:</b>			
Outdoor reset sensor ARV12	1	1	1
Compression ring Ø15 brass			4
Compression ring Ø22 brass			2
Compression ring Ø28 brass	2		
Compression ring Ø35 brass		2	2
Bolt M5X16mm	1	1	1
Cover air supply Ø120/Ø80	1	1	1
Gasket vent system ø80	1	1	1
Power cable pull safety Q-Series	1	1	1
Flue pipe Ø 80 PP	1	1	1
Nut 15mm compression fitting			2
Nut W1.1/8x1/14 22 Compression fitting			1
Nut W1.3/8"x1/14 28 compression fitting	2		
Nut W1.610x1/14 35 compression fitting		2	2
Screw 6X60mm	5	5	5
Lip-ring flue pipe ø80	1	1	1
Feed through + plug flue gas	1	1	1
Cap de-aerator	1	1	1
Adapter fitting 15mm x 3/4"NPT ext.			2
Adapter fitting 22mm x 3/4"NPT ext.			1
Flue adapter Ø80/Ø3" pps UL appr.	2	2	2
Flow restriction MR01 FG 21,0L red			1
Wall mounting suspension bracket	1	1	1
Plumbing kit Q85S/Q130S	1	1	
Plumbing kit Q175S/Q175C/Q205S			1
3/4" Gas valve	1	1	1
Template on inside of package	1	1	1
Installation & Service Instructions	1	1	1
User information manual	1	1	1
Warranty document	1	1	1
ICSL book	1	1	1

### 4.2 Transportation



#### CAUTION

The boiler may be damaged when not secured properly.

- Only transport the boiler using appropriate transportation equipment, such as a handtruck with a fastening belt or special equipment for maneuvering steps.
  - When shipping the boiler must be secured on the transportation equipment to prevent it from falling off.
  - Protect all parts against impacts if they are to be transported.
  - Follow the transportation markings on the packaging.
- Packaged boilers must always be lifted and carried by two people, or you must use a handtruck or special equipment for transport.

### 5.1 Requirements for the installation room



#### DANGER

- The room where the boiler will be placed must always be free from freezing conditions.
- Do not store or use gasoline or other flammable vapors and liquids in the vicinity of this or any other appliance.
- Never use or store any chlorinated detergents or halogenated hydrocarbons (e.g. in spraycans, solvents and detergents, paints, adhesives) in proximity of the boiler.
- The boiler must be installed in such a way that it is protected from water (dripping, spraying, rain, etc.) during operation and service (circulator replacement, condensate trap, control replacement, etc.)
- This boiler is for intended for indoor installations only.

#### Products to avoid present in boiler room and/or around combustion air intake

Spray cans containing chloro-/fluorocarbons  
Ammonium and/or ammonium solutions  
Permanent wave solutions (hair product)  
Chlorinated waxes and/or cleaners  
Swimming pool chemicals based on chlorine  
Calcium chloride used for thawing  
Sodium chloride used for water softening  
Refrigerant leaks  
Paint or varnish removers  
Hydrochloric acid/muriatic acid  
Cements and glues  
Antistatic fabric softeners used in clothes dryers  
Chlorine-type bleaches, detergents, and cleaning solvents found in household laundry rooms  
Adhesives used to fasten building products and other similar products

#### Areas likely to have contaminants

Dry cleaning/laundry areas and establishments  
Swimming pools  
Metal fabrication plants  
Beauty shops  
Refrigeration repair shops  
Photo processing plants  
Auto body shops  
Plastic manufacturing plants  
Furniture refinishing areas and establishments  
New building construction  
Remodeling areas  
Garages with workshops

## 5.2 Fitting the boiler



### NOTICE

- Remove the packaging materials.
- **Do not tear the packaging. Take notice of the presence of the mounting template at the inside of the carton wrapper.**
- **Lay the boiler on its back during unpacking. When unpacking, the casing can be removed from the boiler. This part can be kept apart during installation. It must be placed on the boiler and fixed with the screw behind the door before the boiler is started up.**



### NOTICE

**Turn the boiler to its side and remove the wall bracket from the back of the boiler by removing the 2 screws.**

The boiler can be mounted practically to any wall with the suspension bracket and the enclosed mounting equipment.

- The wall must be flat and of sufficient strength in order to be able to securely hold and support the boiler weight with its water content.
- Take note of the necessary space around the boiler for installation of venting system, pipework and servicing. See drawing in section 5.3.

The location of the boiler can be determined by using the template which is printed on the inside the boiler package wrapping. Remember to account for the spacing of the plumbing kit.

- Drill the necessary holes using the template
- Install the mounting bracket to the wall using the supplied mounting materials



### CAUTION

**Lifting and carrying precautions.**

**To avoid personal injury please follow these recommendations:**

- **Always lift the boiler with 2 people or use special equipment.**
- **When lifting the boiler, bend the knees, and keep the back straight and feet apart.**
- **Do not lift and twist at the same time.**
- **Lift and carry the boiler close to the body.**
- **Wear protective clothing and gloves to protect from any sharp edges.**

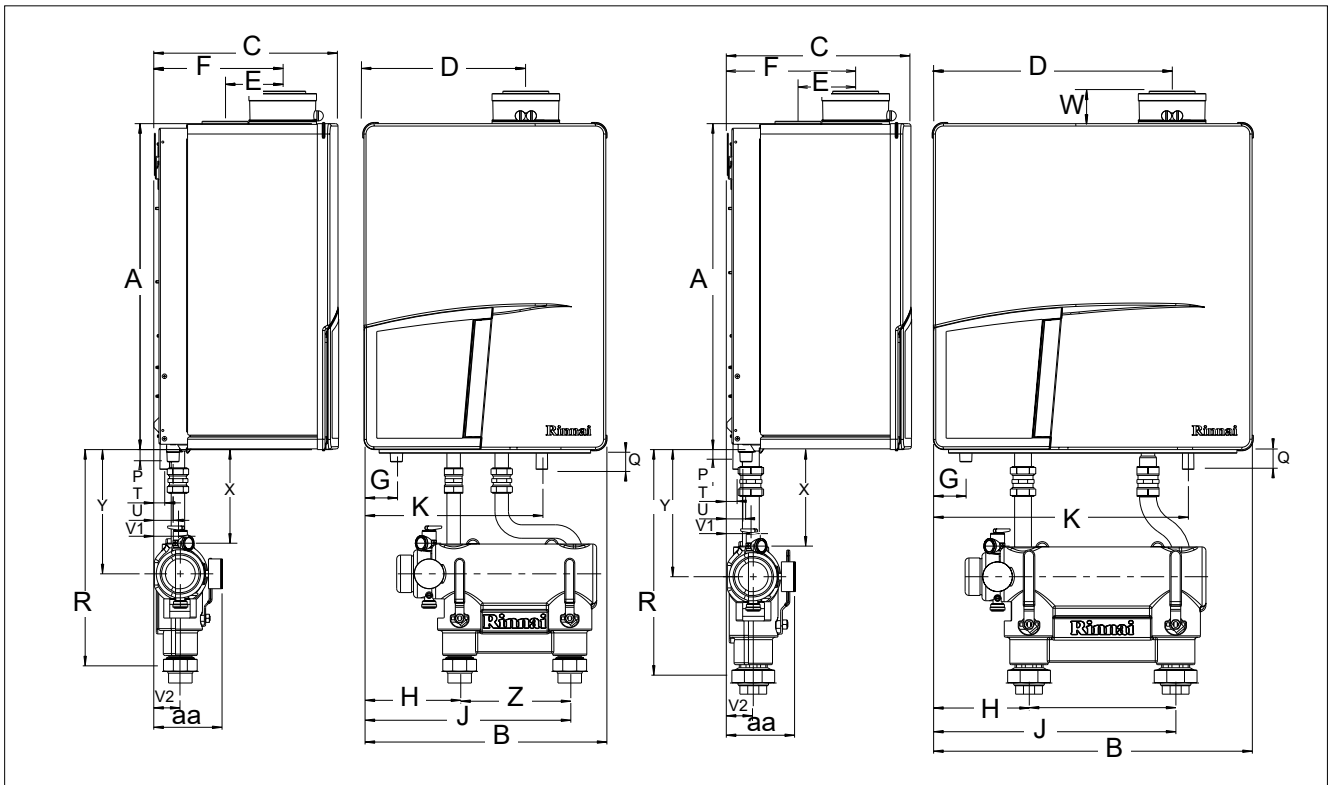


### WARNING

**Lift the boiler only by the boiler's rear wall. Do not lift using the pipes on the bottom of the boiler or the vent connections on the top of the boiler.**

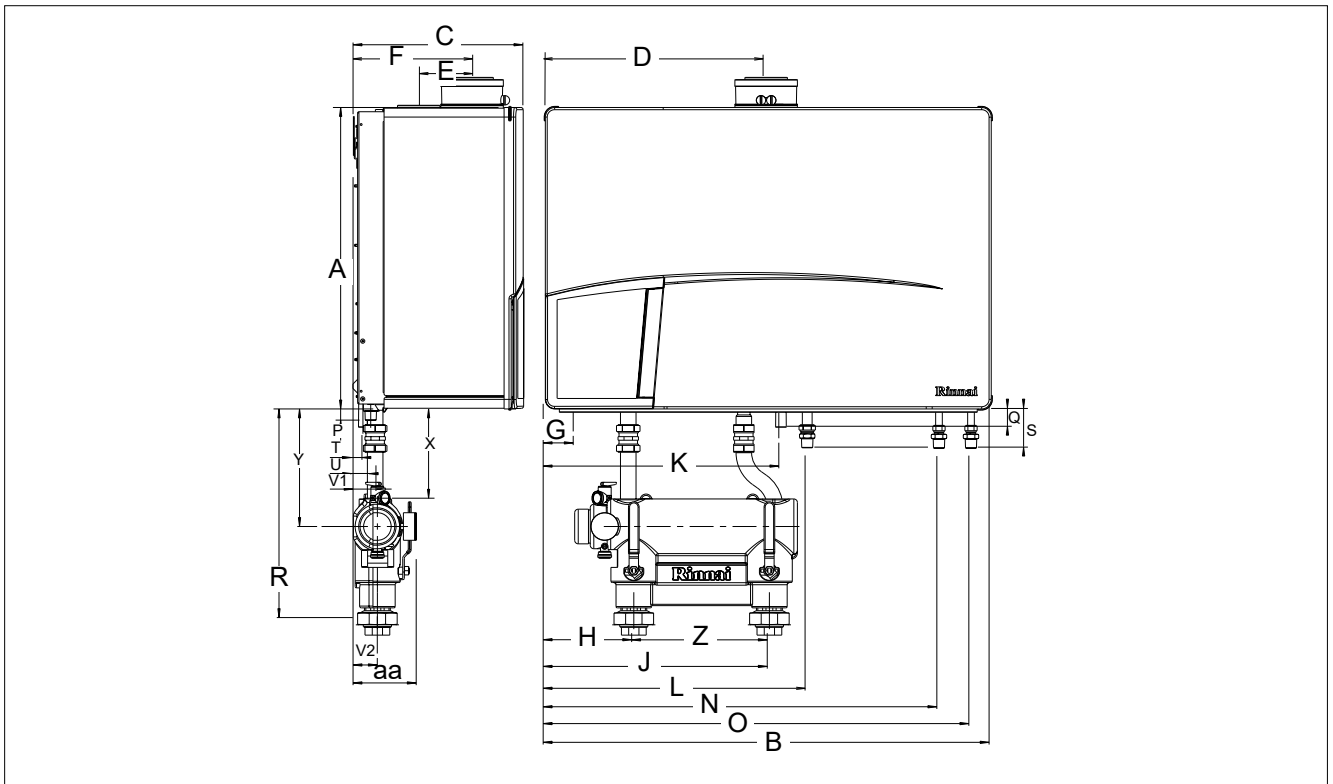
- Dispose the packaging materials.

## 5.3 Dimensions



dimensions Q85S, Q130S, Q175S and Q205S

figure 1



dimensions Q175C

figure 2

## Dimensions

	Boiler type	Solo		Combi
		Q85SN/Q85SP Q130SN/Q130SP	Q175SN/Q175SP Q205SN/Q205SP	Q175CN/Q175CP
		inch / mm	inch / mm	inch / mm
A	Height	26.8" / 680	26.8" / 680	26.8" / 680
B	Width	19.7" / 500	26" / 660	39.4" / 1000
C	Depth	15.2" / 385	15.2" / 385	15.2" / 385
D	Left side / vent	13.2" / 335	19.5" / 495	19.5" / 496
E	Center to center / vent and air supply	4.7" / 120	4.7" / 121	4.7" / 122
F	Back / vent	10.6" / 270	10.6" / 270	10.6" / 270
G	Left side / gas pipe	2.6" / 65	2.6" / 65	2.6" / 65
H	Left side / supply pipe	7.8" / 199	7.8" / 199	7.8" / 199
J	Left side / return pipe	16.8" / 428	19.8" / 504	19.8" / 504
K	Left side / condensate pipe	14.6" / 370	20.9" / 530	20.9" / 530
L	Left side / expansion pipe			23.2" / 590
N	Left side / cold water pipe			34.8" / 885
O	Left side / hot water pipe			37.6" / 955
P	Pipe length of g*	0.7" / 18	0.7" / 18	0.7" / 18
Q	Pipe length of c*	2" / 50	2" / 50	2" / 50
R	Pipe length of f and r*	17.7" / 450	18.5" / 470	18.5" / 470
S	Pipe length of e, k and w*			3.5" / 89
T	Back / Center of pipe c*	1" / 25	1" / 25	1" / 25
U	Back / Center of pipe g*	1.6" / 40	1.6" / 40	1.6" / 40
V1	Back / Center of pipe f, r, e, k and w*	2" / 50	2" / 50	2" / 50
V2	Back / Center of pipe f and r*	2.1" / 54	2.1" / 54	2.1" / 54
W	Pipe length vent co-axial	2.6" / 65	2.6" / 65	2.6" / 65
	Pipe length vent parallel	5.8" / 147	5.8" / 147	5.8" / 147
X	Bottom side boiler to center safety valve	7.7" / 195	8" / 200	8" / 200
Y	Bottom side boiler to center header	10.2" / 260	10.4" / 265	10.4" / 265
Z	Center to center of f and r*	9" / 229	12" / 305	12" / 305
aa	Depth plumbing kit	5.6" / 142	5.6" / 142	5.6" / 142

\*) See figure 3

dimensions

table 1

## Dimensions

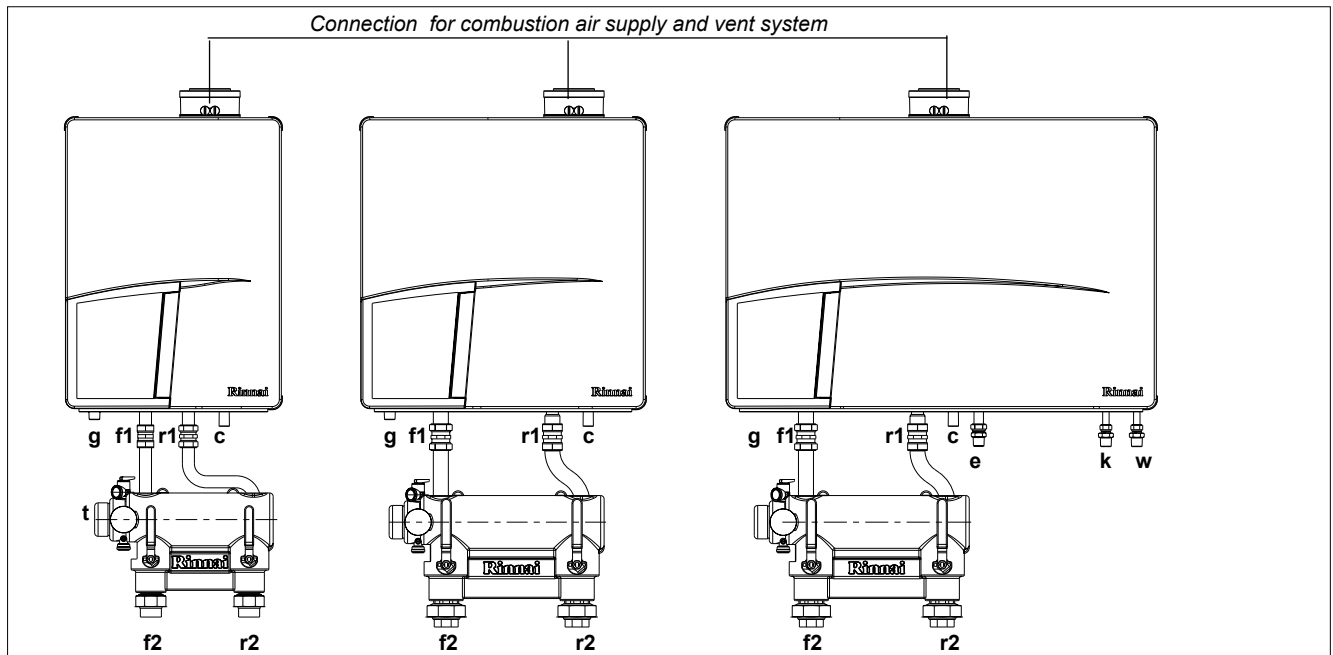


figure 3

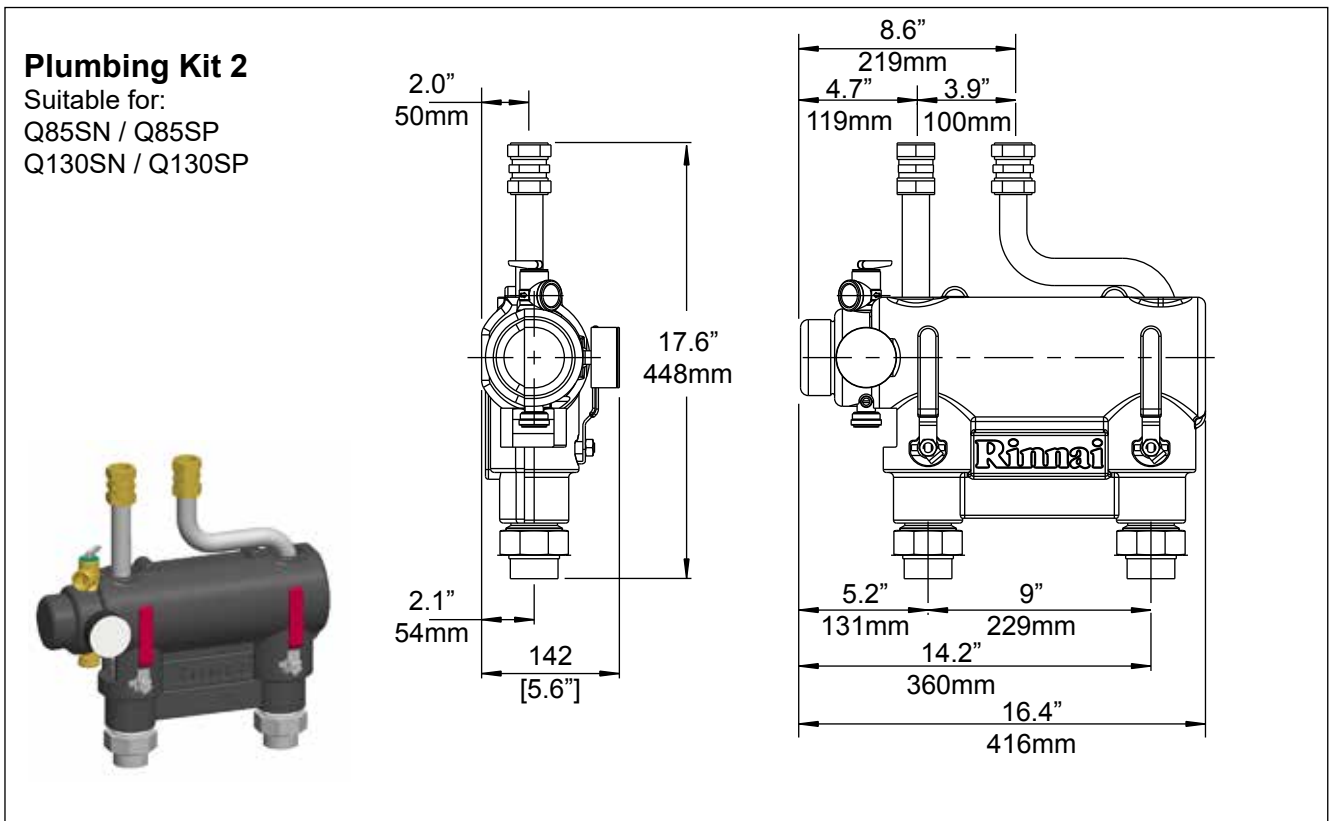
	Boiler type	Solo		Combi
		Q85SN/Q85SP Q130SN/Q130SP	Q175SN/Q175SP Q205SN/Q205SP	Q175CN/Q175CP
Vent system / Combustion air supply		80/125mm	80/125mm	80/125mm
Gas pipe	g	3/4"M-NPT	3/4"M-NPT	3/4"M-NPT
Supply pipe	boiler side - f1	28mm	35mm	35mm
	system side - f2	1¼"M-NPT	1½"M-NPT	1½"M-NPT
Return pipe	boiler side - r1	28mm	35mm	35mm
	system side - r2	1¼"M-NPT	1½"M-NPT	1½"M-NPT
Condensate pipe	c	0.95" / 24mm	0.95" / 24mm	0.95" / 24mm
Expansion pipe	e			0.87"x ¾"M-NPT / 22mm
Cold water pipe	k			0.6"x ¾"M-NPT / 15mm
Hot water pipe	w			0.6"x ¾"M-NPT / 15mm
Supply pipe indirect tank. <i>In case of optional internal 3 way valve.</i>	t	1"M-NPT		

connection diameters

table 2

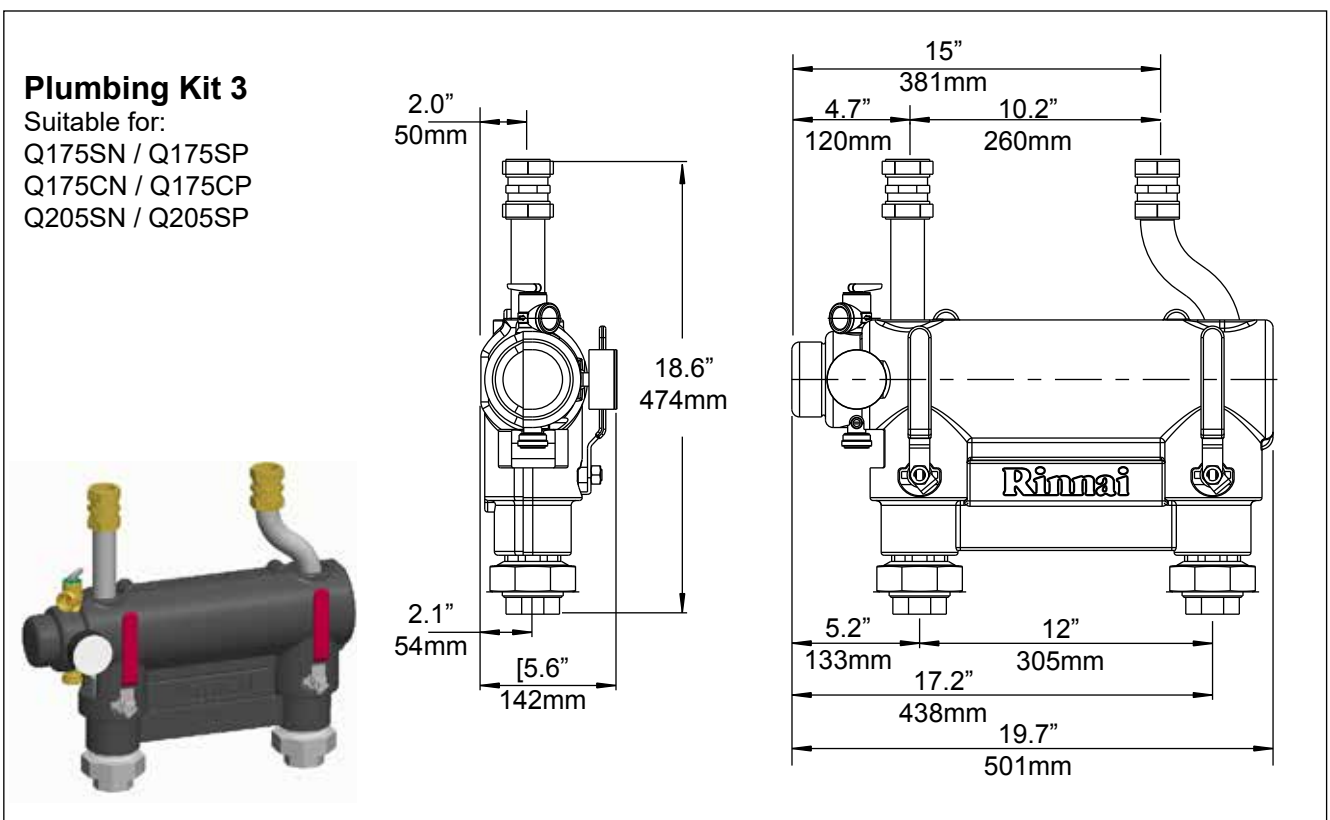
## 5.3.1 Plumbing Kits

Rinnai boilers are supplied with a Plumbing kit from factory. Find below the dimensions. See chapter 6.1 for additional information.



Plumbing kit 2

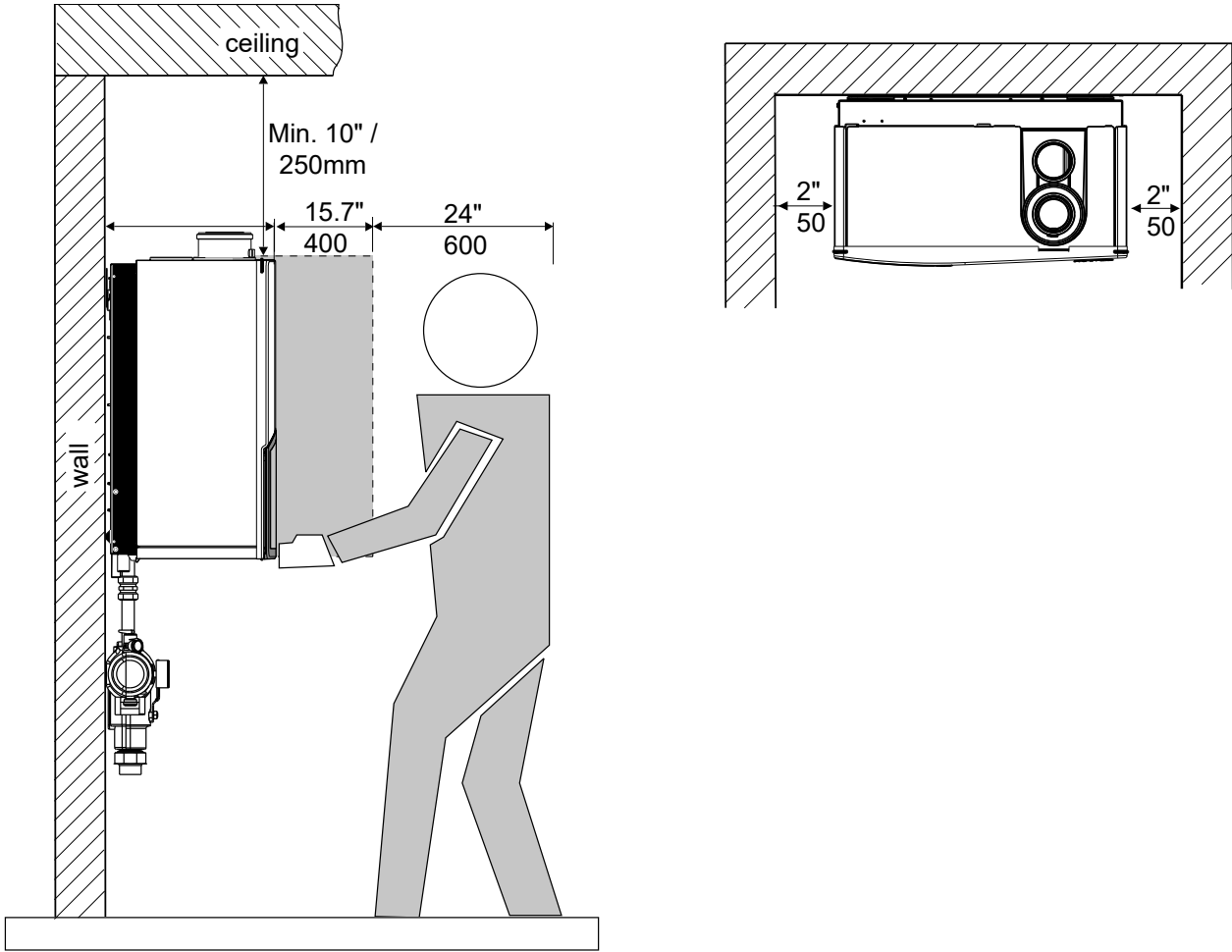
figure 4



Plumbing kit 3

figure 5

### 5.3.2 Clearances from the boiler



service clearances to the boiler

figure 6

	Minimum required clearances to combustibles All types inch / mm	Minimum required clearances to non-combustibles All types inch / mm	Recommended service clearances All types inch / mm
Top of boiler	2" / 50	2" / 50	10" / 250
Back of boiler	0"	0"	0
Front of boiler	6" / 150	6" / 150	24" / 600
Left side of boiler	2" / 50	2" / 50	2" / 50
Right side of boiler	2" / 50	2" / 50	2" / 50
Floor / Ground to bottom of boiler	12" / 300	12" / 300	30" / 762
Floor/ Ground to bottom Low loss header	0"	0"	12" / 300
Vent	0"	0"	0"

clearances to the boiler

table 3

For closet installation: clearance is 1" / 25mm from the front.

#### Low Loss Header

Clearances to combustible and non-combustible is 0 inch for sides, top, front and floor/ground. The recommended service clearance to the bottom of the low loss header is 12 inches.

## 5.4 Technical specifications

Boiler type		Q-Series				
		Combi Q175CN Q175CP	Q85SN Q85SP	Q130SN Q130SP	Q175SN Q175SP	Q205SN Q205SP
Input CH	BTU/hr kW	175,000 51	85,000 25	130,000 38	175,000 51	205,000 60
Input DHW	BTU/hr kW	175,000 51	N/A N/A	N/A N/A	N/A N/A	N/A N/A
Heating capacity	BTU/hr kW	162,000 47.5	78,000 22.9	119,000 34.9	162,000 47.5	186,000 54.5
O <sub>2</sub> (at full load)	%	Natural gas: 4.4 - 4.7 (Propane: 4.8 - 5.1)				
Electr. power consumption max.	W	210	137	144	210	234
Electr. power consumption stand by	W	14				
Current	V/Hz	120Vac/60Hz				
Fuse rating	A	5AF & 4AT				
Degree of protection acc. EN 60529		IPX0D				
Weight (empty)	lbs / kg	196 / 89	110 / 50	117 / 53	141 / 64	141 / 64
Water content CH	gallon / liter	1.8 / 7	0.9 / 3.5	1.3 / 5	1.8 / 7	1.8 / 7
Water content DHW	gallon / liter	3.7 / 14				
Water content Plumbing Kit	gallon / liter	0.74 / 2.8	0.58 / 2.2		0.74 / 2.8	
After run time pump CH	min	5				
After run time pump DHW	min	1				
P <sub>MS</sub> Water pressure min.-max.	PSI / bar	14-43 / 1-3				
P <sub>MW</sub> Water pressure DHW max.	PSI / bar	150 / 10	n.a.	n.a.	n.a.	n.a.
Flow temperature max.	°F / °C	176 / 80				
Pump type		UPER 20-78	UPER 20-58	UPER 20-78	UPER 20-78	UPER 20-78
Available pump height CH (ΔT = 25K)	PSI / kPa	2.9 / 20	5.2 / 36	3.0 / 21	2.9 / 20	5.5 / 38
Approvals		ASME, CSA	ASME, CSA	ASME, CSA	ASME, CSA	ASME, CSA
DHW flow (at ΔT50°F)	gallon/min	6.2				
DHW flow (at ΔT27.8°C)	liter/min	23.5				
DHW flow (at ΔT75°F)	gallon/min	4.1				
DHW flow (at ΔT41.7°C)	liter/min	15.5				
Max. DHW flow rate	gallon/min	6.2				
	liter/min	23.5				
Pressure difference DHW	PSI / bar	4.3 / 0.3				
CSA number		2183087				
CRN number		8101.7CL				

Technical specifications

Table 4

The boiler has the following connection pipes;

- The central heating circuit pipes.  
*These must be connected to the Plumbing Kit by means of adapter fittings. See further chapter 6.1;*
- The gas supply pipe.  
*It is provided with a 3/4" male thread into which the tail piece of the gas valve can be screwed. See further chapter 6.4;*
- The condensation drain pipe.  
*It consists of an oval 1" (24 mm) plastic pipe. The drain pipe can be connected to this by means of an open connection. If the open connection is fitted in a different location, then the pipe can be lengthened by means of a 1 1/4" (32 mm) PVC sleeve. See further chapter 6.6;*
- The vent system and air supply system.  
*It consists of a concentric connection 3"/5" (80/125 mm). The boiler can be converted to a twin pipe connection that will accept 80mm flue and intake air or with the use of the included adapters 3" PVC / CPVC flue and intake. See further chapter 6.7.*
- Cold and hot water pipes for domestic hot water (DHW).  
**Combi boilers only:** *These consist of 3/4" (15 mm) copper pipe and can be connected to the installation by means of 3/4" M-NPT adapter fittings. See further chapter 6.5;*



#### NOTICE

**The pipes to be connected to the boiler must be cleaned before connecting in order to prevent dirt from entering and damaging the boiler.**

### 6.1 Central heating system

Connect the central heating system according to its instructions.

The boiler pipes can be connected to the installation by means of compression fittings. Reducers should be used for connecting to thick-walled pipe (welded or threaded).



#### NOTICE

**When removing the plastic sealing caps from the pipes, dirty testing water may drain from the boiler.**



#### NOTICE

**A Plumbing Kit must be fitted to the boiler.**



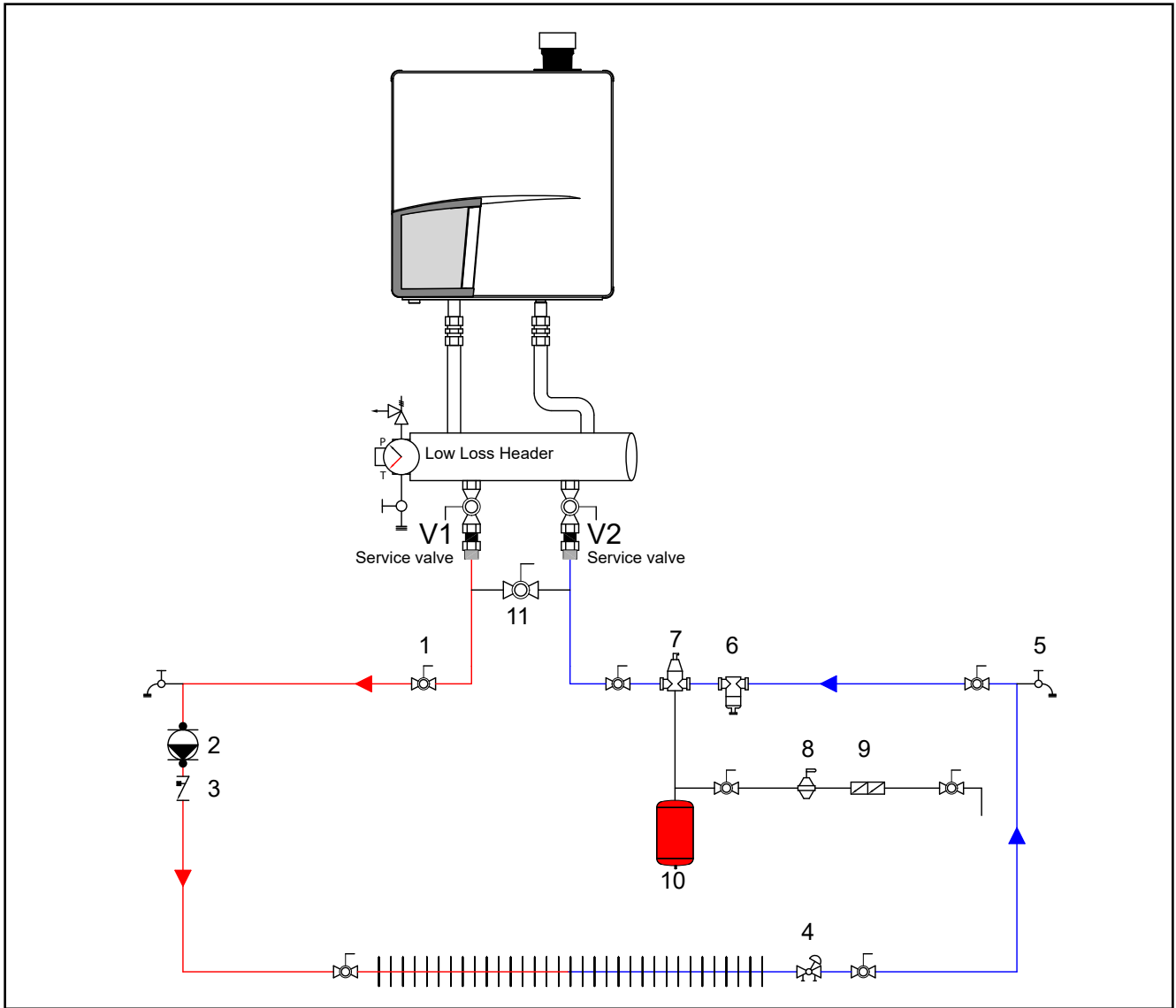
#### NOTICE

**The boiler, when used in connection with a refrigeration system, must be installed so the chilled medium is piped in parallel with the boiler with appropriate valves to prevent the chilled medium from entering the boiler.**



#### NOTICE

**The boiler piping system of a hot water boiler connected to heating coils located in air handling units where they may be exposed to refrigerated air circulation must be equipped with flow control valves or other automatic means to prevent gravity circulation of the boiler water during the cooling cycle.**



Boiler basic piping

figure 7

1. shut off valve
2. system circulator
3. check valve
4. balancing valve
5. boiler drain valve
6. dirt trap
7. air separator
8. automatic fill valve
9. back flow preventer
10. expansion tank
11. bypass for system cleaning

## 6.1.1 Plumbing Kit installation

Rinnai supplies specific Plumbing Kits with each boiler type, which must be fitted directly underneath the boiler on the supply and return pipe. Find in chapter 5.3 the dimensions. Use of the Rinnai boiler without the plumbing kit will void the warranty.

### **i** NOTICE

**To protect the entire heating system we recommend installing a dirt particle trap in the return circuit. When the boiler is installed to an existing heating system this trap is required. Use of a Y strainer is not permitted as a substitute for a dirt trap.**

- Install shut-off valves immediately before and after the dirt particle filter to allow the trap to be cleaned.
- Position 3 (figure 8) is a garden hose thread boiler drain that can be used to drain the boiler or add water treatment additives to the system such as inhibitors or glycol.
- Position 4 (figure 8) is the supply connection for an indirect tank when used with the optional 3-way valve kit.
- For information on locating the expansion tank and system fill, please see the Rinnai Boiler Applications Manual.

**Compression fittings.**

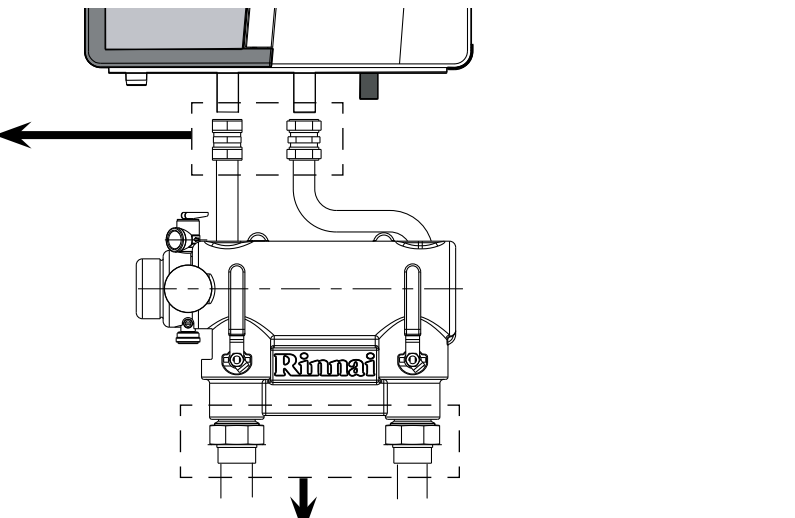
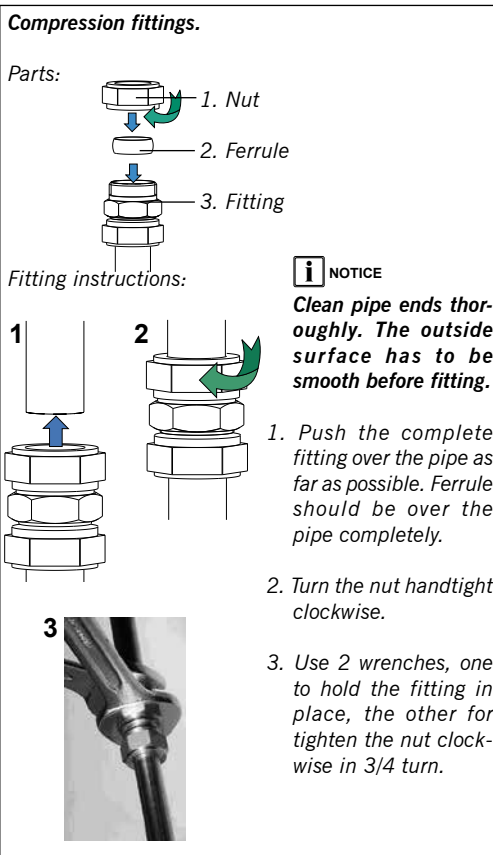
Parts:

1. Nut
2. Ferrule
3. Fitting

Fitting instructions:

1. Push the complete fitting over the pipe as far as possible. Ferrule should be over the pipe completely.
2. Turn the nut handtight clockwise.
3. Use 2 wrenches, one to hold the fitting in place, the other for tighten the nut clockwise in 3/4 turn.

**i** NOTICE  
**Clean pipe ends thoroughly. The outside surface has to be smooth before fitting.**



**! WARNING** Do not overtighten these fittings when connecting flow and return pipe to the plumbing kit. Max. 150Nm / 100 foot-pounds (ft lb) / 1327 inch-pounds (in lb). Failure to follow these instructions may result in leakage causing property damage and would not be covered under warranty.

**i** NOTICE

Thoroughly flush all pipes and radiators. We recommend the use of a Rinnai approved system cleaner. Please refer to the list of approved Rinnai system cleaners in this chapter.

- Refer to the installation template and chapter 5.3 for the pipe connection dimensions.

**i** NOTICE

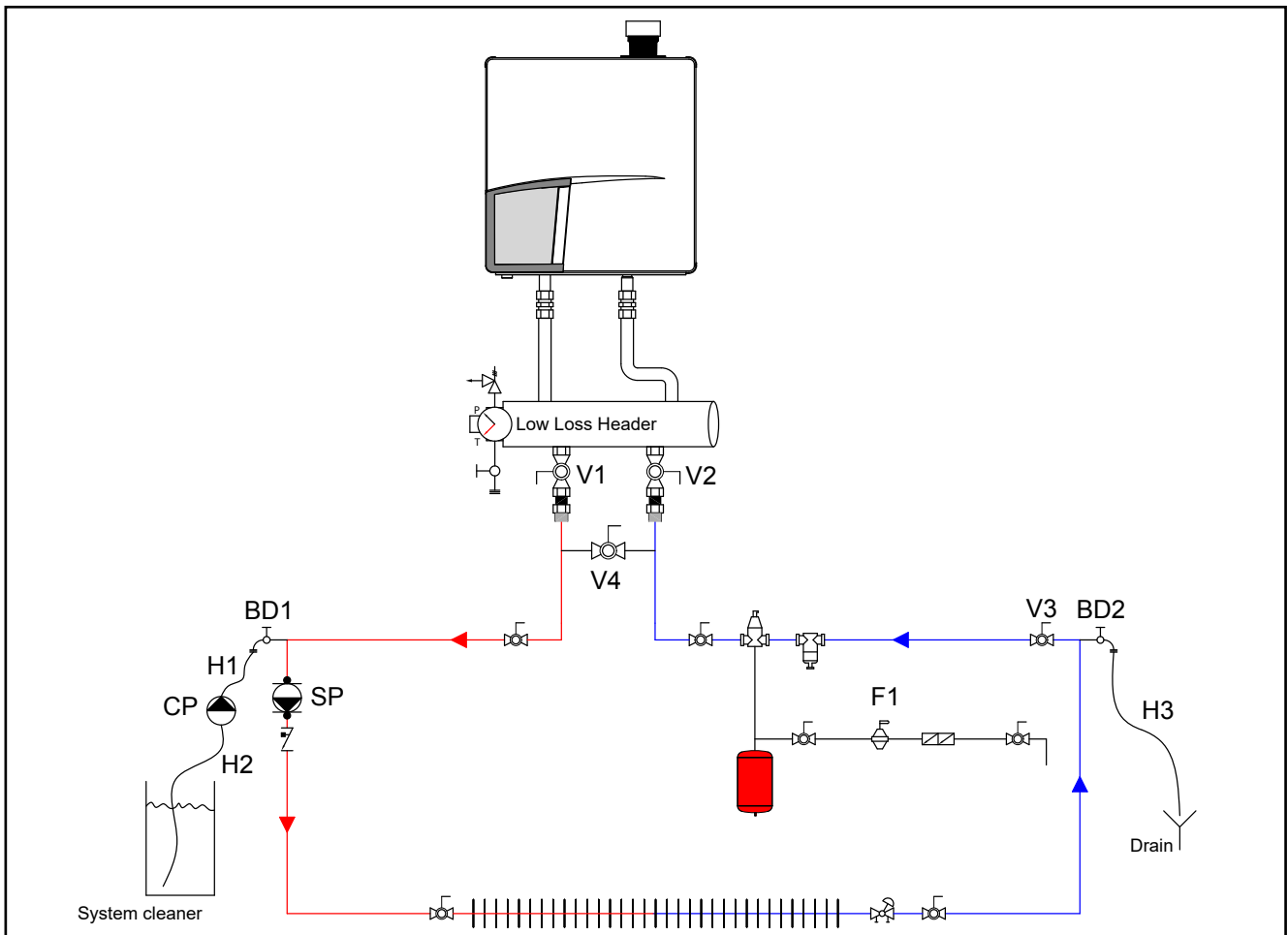
The plumbing kit is not intended to support the weight of the piping. Appropriate piping supports should be used to support all attached piping to the boiler and plumbing kit.

- Boiler system flushing (Not Boiler heat exchanger)

When replacing an existing boiler the heating system should be flushed with the old boiler in place before the new boiler is added to the system. If the old boiler has already been removed a bypass must be piped in when the new boiler is installed in order to facilitate the flushing of the system.

The boiler must be valved off from the system, while the system is flushed. No system cleaner should ever enter the boiler heat exchanger due to its caustic nature which could damage the heat exchanger.

1. Close the shutoff valves on both the supply and return connections on the plumbing kit (V1 and V2).
2. Open the bypass valve (V4).
3. Connect pump outlet hose (H1) to the supply side purge station (BD1)
4. Connect drain hose (H3) to the return side purge station (BD2).
5. Pour the system cleaner into a pail and follow the system cleaner instructions on circulation time and volume to be added to the system.
6. Operate the charging pump (CP) and charge the system with the required volume of system cleaner
7. Close the supply side purge station (BD1)



Boiler system flushing

figure 9

8. Turn on the system pump(s) (SP) and circulate the cleaner through the system for required time as established by the cleaner manufacturer.
9. Once the time required by the system cleaner manufacturer has been met place the drain hose (H3) in a drain.
10. Turn off the system pump(s) (SP)
11. Close the main valve on the system return (V3) and open the return side purge station (BD2).
12. Open the auto feed on the system (F1) and allow water to rinse the system for whichever is greater; 10 minutes or the required rinse time by the system cleaner manufacturer.
13. If the installation is a zone system be sure to purge out each zone individually
14. Close the auto feed on the system (F1)
15. Close the return side purge station (BD2) and disconnect the hose (H3).
16. Open the main valve on the system return (V3)
17. Close the bypass valve below the plumbing kit (V4).
18. Open shutoff valves on both the supply and return connections on the plumbing kit (V1 and V2).
19. Clean out the dirt trap
20. Test the pH of the water that will be used for filling the system
21. Test the water hardness of the water that will be used for filling the system
22. Use the proper water treatment to ensure the pH and water hardness are within the Rinnai boiler water quality guidelines
23. The boiler and system may now be filled

The following is a list of approved system cleaners, inhibitors, and antifreeze.

**Approved antifreeze:**

- Rhomar RhoGard Mutli-Metal (AL safe)
- Noble Noburst AL
- Sentinel X500
- Fernox Alphi 11

**Approved system cleaner:**

- Noble Noburst Hydronic System Cleaner
- Rhomar Hydro-Solv 9100
- Fernox F3 Cleaner
- Sentinel X400

**The system cleaners from NoBurst, Rhomar, and Fernox are NOT to be used in the boiler. The boiler must be closed off (valved off) from the rest of the system or not connected while the cleaners are in the system. The system should then be drained and then thoroughly flushed with clean water to remove all the system cleaner.**

**Approved inhibitors:**

- Rhomar Pro-tek 922
- Noble Noburst AL inhibitor
- Sentinel X100

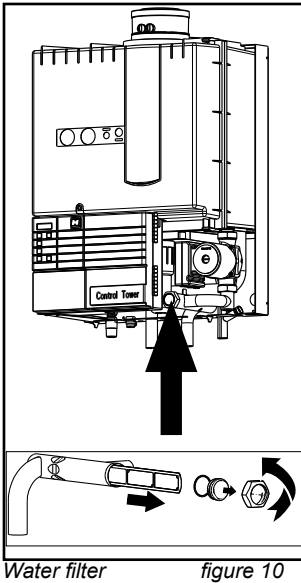


**NOTICE**

- Connect the expansion tank to the system. See chapter 6.2.
- Connect the pipes so that they are free from strain.

**Connecting boiler with DHW tank**

- Connect the external DHW tank according to the installation instructions of the DHW tank and fittings concerned. See chapter 7 and the Rinnai Boiler Applications Manual for additional information.



The boiler has a self-adjusting and self-protecting control system for the load and the pump capacity. By this means, the temperature difference between the supply and return water is checked.

If the installation resistance is over the stated value; the pump will rotate at maximum capacity and the load will be adjusted until an acceptable temperature difference between supply and return water has been obtained. If, after this, the temperature difference is still not acceptable then the boiler will switch off and wait until an acceptable temperature has arisen.

If an unacceptable temperature is detected, the control will repeatedly try to achieve water flow over the boiler. If not the boiler will switch off.

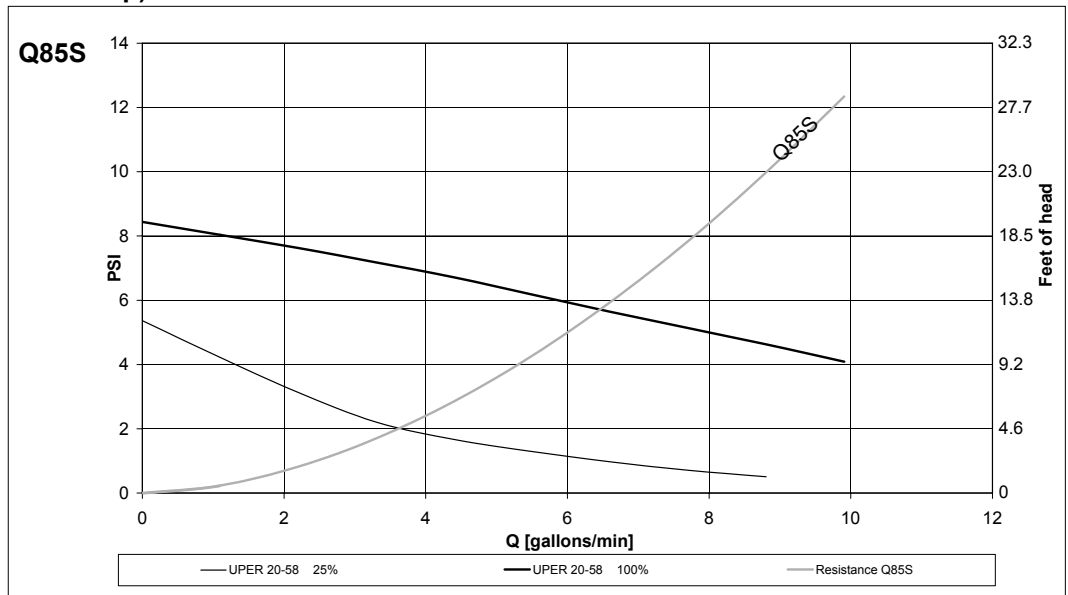
The electrical side of the external circulation pump (fig. 6, pos. 2) can be connected to the Control Tower. This pump thus switches simultaneously to the boiler pump.

The maximum absorbed current consumption of the external circulation pump may not exceed 120V, 2 Amp. If a pump with a larger current draw is required an isolation relay must be used. See the Rinnai Boiler applications manual for further information. The extra external pump must be selected according to the installation resistance and required flow.

As standard the boiler is provided with a water filter in the return pipe of the boiler (fig. 10), so that debris from the central heating water is prevented from affecting the boiler.

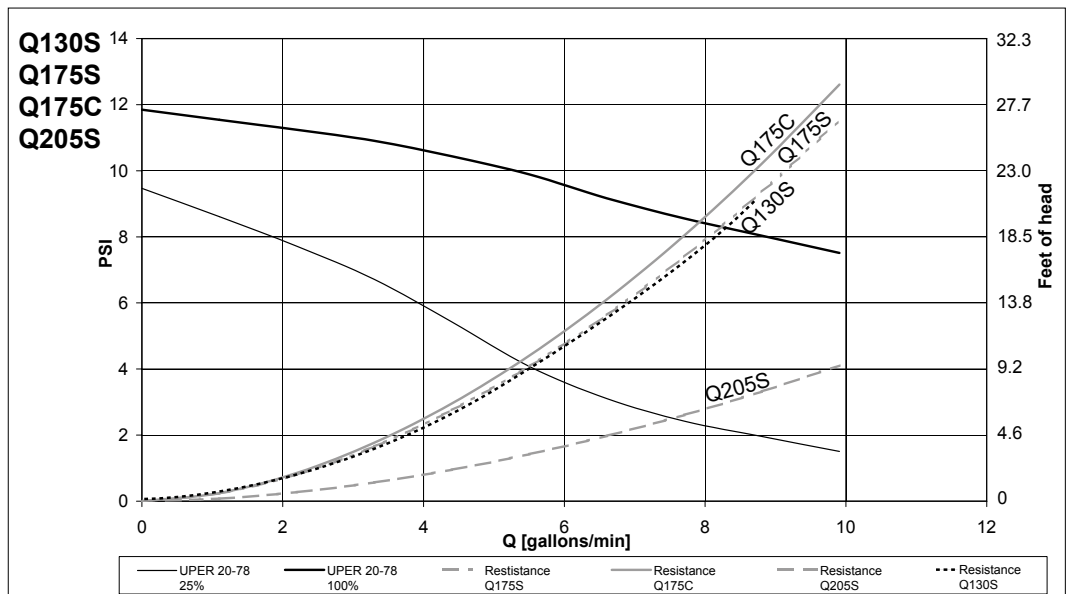
**i NOTICE**

**The boiler is designed to be used on pressurized heating systems only (closed loop).**



pump index lines UPER 20-58

graph 1a



pump index lines UPER 20-78

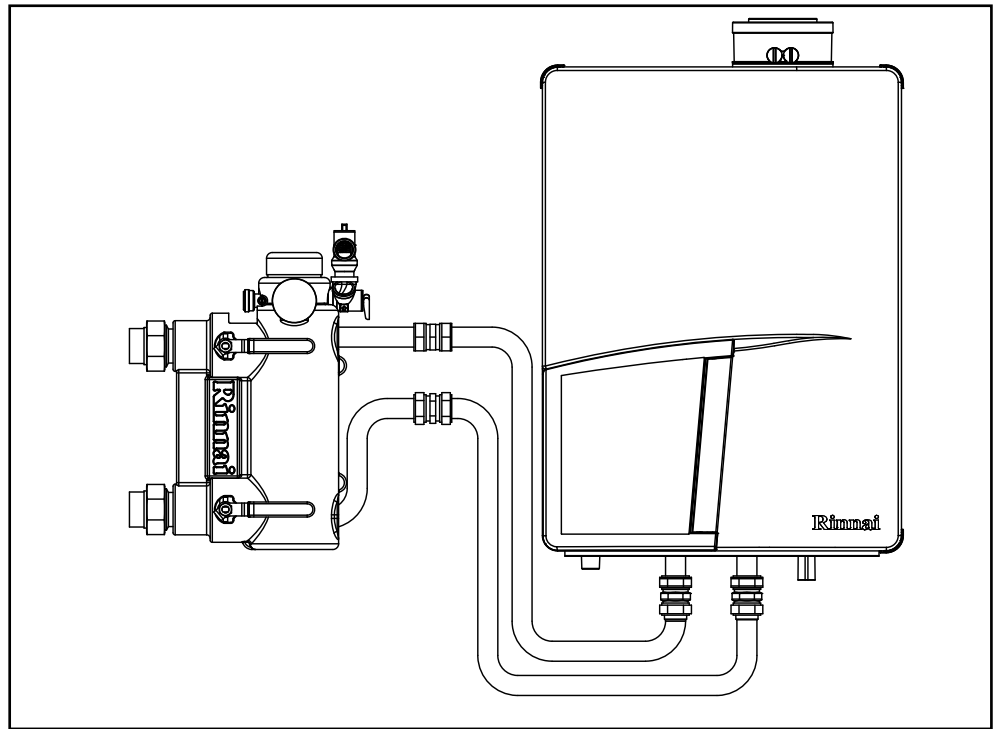
graph 1b

## 6.1.2 Side mounting kit for the Low Loss header

A side mounting kit for the low loss header is available as an accessory. This kit relocates the low loss header from directly below the boiler to the left side of the boiler only. The kit includes all the parts required to relocate the low loss header including all mounting brackets and material. This kit provides an alternative to for installations with height limitations and allows for an alternative piping installation.

Kit 2 for boiler models Q85S and Q130S Rinnai part number: 804000072

Kit 3 for boiler models Q175S, Q175C, and Q205S Rinnai part number: 804000073.



Side mounting kit

figure 11

## 6.1.3 Safety valve



### NOTICE

An ASME 30 psi pressure relief valve is installed on the plumbing kit included with the boiler.

## 6.1.4 Low water cut off



### NOTICE

The Rinnai Q boiler has a factory installed pressure switch type Low Water Cut Off (LWCO). Check your local codes to see if a Low Water Cut Off is required (LWCO) and if this device conforms to local code. See the Rinnai Boiler Applications Manual for further information.

The Low water cut off is not serviceable.

## 6.2 Boiler expansion tank

An expansion tank must be part of the central heating system. The expansion tank must be appropriate to the water content of the installation. The pre-charge pressure depends on the installation height above the mounted expansion tank. The expansion tank is NOT a part of the delivery and should be sourced locally. Please refer to the expansion tank manufacturer for further information. The Combi boiler Q175C is equipped with an expansion tank connection. This pipe is connected with the three way valve and boiler pump.



**Fill expansion tank to a minimum of 14.5 psi.**



**For the boiler to function correctly, it is necessary to connect the expansion tank to the expansion tank connection on the boiler. If the expansion tank is not connected to the supplied connection damage to the boiler may occur.**

Note:

The solo boilers Q85S, Q130S, Q175S and Q205S can be provided with an optional internal three way valve. When this valve is installed in the boiler, the boiler is provided with an expansion tank connection. This pipe is connected with the three way valve and boiler pump.



**For the boiler to function correctly, it is necessary to connect the expansion tank to the expansion tank connection on the boiler. If the expansion tank is not connected to the supplied connection damage to the boiler may occur.**

See the Rinnai Boiler Applications Manual for further information regarding placement of the expansion tank in the system. See the Rinnai 3-way valve indirect tank installation manual for further information regarding the installation of the 3-way valve indirect tank kit.



**The boiler cannot be used with an open type expansion tank.**

## 6.3 Underfloor heating system (plastic pipes)

When using oxygen-permeable pipes, e. g. for floor heating systems, you must separate the system using plate heat exchangers.



**No recourse can be made to the terms of the limited warranty in the event of failure to observe the regulations pertaining to plastic underfloor heating pipes.**

## 6.4 Gas connection



**DANGER**

Only work on gas lines if you are licensed for such work. If these instructions are not followed exactly, a fire or explosion may result causing property damage, personal injury or death.



**WARNING**

Rinnai wall mounted boilers are built to run on Natural Gas or Propane Gas. The gas type the boiler is suitable for is indicated on the packaging and on the boiler by a blue label with Natural Gas or a green label with Propane Gas and on the identification plate on the boiler. First check the identification plate on the boiler for the suitable gas type.



**DANGER**

Do not use the boiler for another type of gas than indicated on the identification plate of the boiler. This will cause improper functioning and can damage the boiler.

Natural gas: refer to chapter 6.4.1

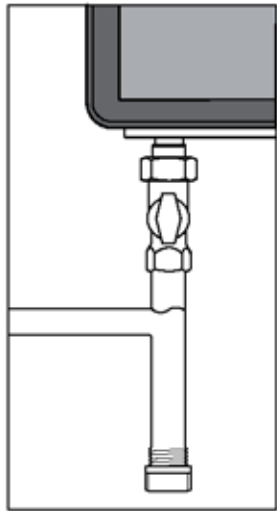
Propane gas: refer to chapter 6.4.2

### 6.4.1. Gas connection with natural gas



**NOTICE**

The gas supply connection must comply with local regulations or, if such regulations do not exist, with the National Fuel Gas Code, ANSI Z 223.1. For Canada, the gas connection must comply with local regulations or, if such regulations do not exist, with the CAN/CSA B149.1, Natural Gas and Propane Installation Code.



Sediment trap figure 12a

#### Pipe sizing for natural gas

Contact gas supplier to size the gas supply line and meter.

#### Gas piping

A sediment trap must be installed upstream of the gas controls.

The boiler gas pipe is equipped with external 3/4" M-NPT thread, onto which the tail piece of the gas shut off valve can be connected. Use appropriate sealing.

The connection to the boiler must include a suitable method of disconnection and a gas control valve must be installed adjacent to the boiler for isolation purposes. The nominal inlet gas pressure measured at the boiler should be 7" W.C. (18 mbar) for Natural gas (Gas A). Maximum pressure with no flow (lockup) or with the boiler running is 10.5 inches W.C. Minimum pressure with the gas flowing (verify during boiler startup) is 3.0 inches W.C.

The gas pipe must be fitted to the gas valve free from any strain.



**NOTICE**

**Make sure that the gas pipe system does not contain dirt, particularly with new pipes.**



**DANGER**

**Always check the safety of the gas pipe system by means of a bubble test using leak-search spray.**



**NOTICE**

**The boiler and its individual shut off valve must be disconnected from the gas supply piping system during any pressure testing of that system at test pressures in excess of 1/2 PSI (3.5kPa).**



**NOTICE**

**The boiler must be isolated from the gas supply piping system by closing its individual manual shutoff valve during any pressure testing of the gas supply piping system at test pressures equal to or less than 1/2 PSI (3.5 kPa).**

## 6.4.2 Gas connection with propane gas

### NOTICE

The gas supply connection must comply with local regulations or, if such regulations do not exist, with the National Fuel Gas Code, ANSI Z 223.1. For Canada, the gas connection must comply with local regulations or, if such regulations do not exist, with the CAN/CSA B149.1, Natural Gas and Propane Installation Code.

#### Pipe sizing for propane gas

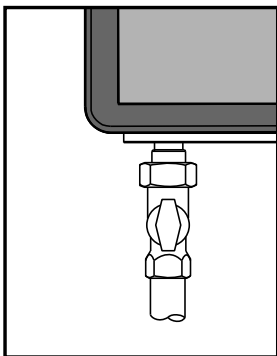
- Contact gas supplier to size pipes, tanks, and 100% lockup gas pressure regulator.

#### Propane Supply Pressure Requirements

- Adjust propane supply regulator provided by the gas supplier for 14 inches W.C. maximum pressure.
- Pressure required at gas valve inlet pressure port:
  - Maximum 14" W.C. with no flow (lockup) or with boiler running.
  - Minimum 8" W.C. with gas flowing (verify during boiler startup).

**Ensure that the high gas pressure regulator is installed at least 6 to 10 feet upstream of the boiler.**

### DANGER



Gas shut off valve onto boiler  
figure 12b

#### Gas piping

- Use a gas shut off valve compatible with propane gas.
- A sediment trap must be provided upstream of the gas controls.

The boiler pipe is provided with external 3/4" M-NPT thread, onto which the tail piece of the gas shut off valve can be screwed. Use appropriate sealing.

The connection to the boiler must include a suitable method of disconnection. A gas control valve must be installed adjacent to the boiler for isolation purposes. The nominal inlet working gas pressure measured at the boiler should be 12 inch W.C. (30mbar) for Propane gas (Gas E).

The gas pipe must be fitted to the gas valve free from any strain.

**Make sure that the gas pipe system does not contain dirt, particularly with new pipes.**

**Always check the safety of the gas pipe system by means of a bubble test using leak-search spray.**

**The boiler and its individual shut off valve must be disconnected from the gas supply piping system during any pressure testing of that system at test pressures in excess of 1/2 PSI (3.5kPa).**

**The boiler must be isolated from the gas supply piping system by closing its individual manual shutoff valve during any pressure testing of the gas supply piping system at test pressures equal to or less than 1/2 PSI (3.5 kPa).**

### NOTICE

### DANGER

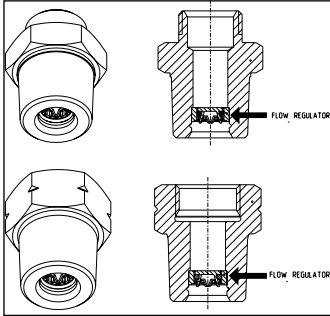
### NOTICE

### NOTICE

## 6.5 Hot water supply (Combi boiler Q175CN/Q175CP)

Connection of the drinking water installation should be performed according to the national secondary drinking water regulations.

**! DANGER**



flow regulator valve figure 13

**Do NOT use toxic chemicals, such as those used for boiler treatment in potable water heating systems used for space heating.**

The sanitary water pipes can be connected to the installation by use of adapter fittings. The cold water inlet on the Combi boilers must be equipped with the following components (counted in the water flow direction): Flow regulator valve (supplied), Safety group, Expansion vessel 87 PSI / 6bar (potable water, blue).

A flow regulator valve is supplied with the boiler. The flow regulator valve ensures that a quantity of water is supplied which has a outlet temperature of 120°F (assuming a cold water temperature of 45°F). The quantity of water is virtually unaffected by the water pressure. The 3/4" NPT adapter fitting with the flow reducing valve must be fitted in the cold water connection (see Dimensions 5.3, cold water pipe -k).

**When there is a water pressure lower than 22PSI / 1.5 bar it is advisable to remove the inside mechanism of the flow reducing valve. Contact Rinnai for removal instructions.**

**i NOTICE**

<b>! DANGER</b>	Hot water can be dangerous, especially for infants or children, the elderly, or infirm. There is hot water scald potential if the thermostat is set too high.
	Water temperatures over 125° F (51° C) can cause severe burns or scalding resulting in death.
	Hot water can cause first degree burns with exposure for as little as:
	3 seconds at 140° F (60° C)
	20 seconds at 130° F (54° C)
	8 minutes at 120° F (48° C)
	Test the temperature of the water before placing a child in the bath or shower.
	Do not leave a child or an infirm person in the bath unsupervised.

**6.5.1 Domestic Water quality**

Appropriate steps must be taken to ensure the indirect tank water heater does not become plugged by scale caused by hard water or sediment. If the indirect tank water heater becomes plugged by either scaling from hard water or sediment it is not the responsibility of Rinnai.

**1. Water hardness for DHW**

When there is a water hardness of more than 6 to 7 grains hardness for domestic water, a water softener must be installed on the inlet side of the DHW connection.

**2. Sediment in DHW**

If there is sediment in your domestic water supply a sediment filter or other suitable device should be used to remove it before the water enters the indirect tank water heater.

**3. Water Chemistry for DHW**

The water used for domestic must have a water pH between 6.0 and 8.0, contain less than 1.7 gpg (20 mg/l) of Sodium, and a concentration of Chlorine less than 5.8 gpg (100 mg/L).

**i NOTICE**

**If problems occur when using sanitary water outside of the above stated requirements, no recourse can be made to the terms of the limited warranty.**

**6.5.2 Domestic water treatment Accessory**

Rinnai offers a domestic water treatment device that can help reduce scale build up. This device can be installed on the incoming cold water line for any combi boiler. For additional information on contact Rinnai.

### 6.5.3 DHW Expansion Tank

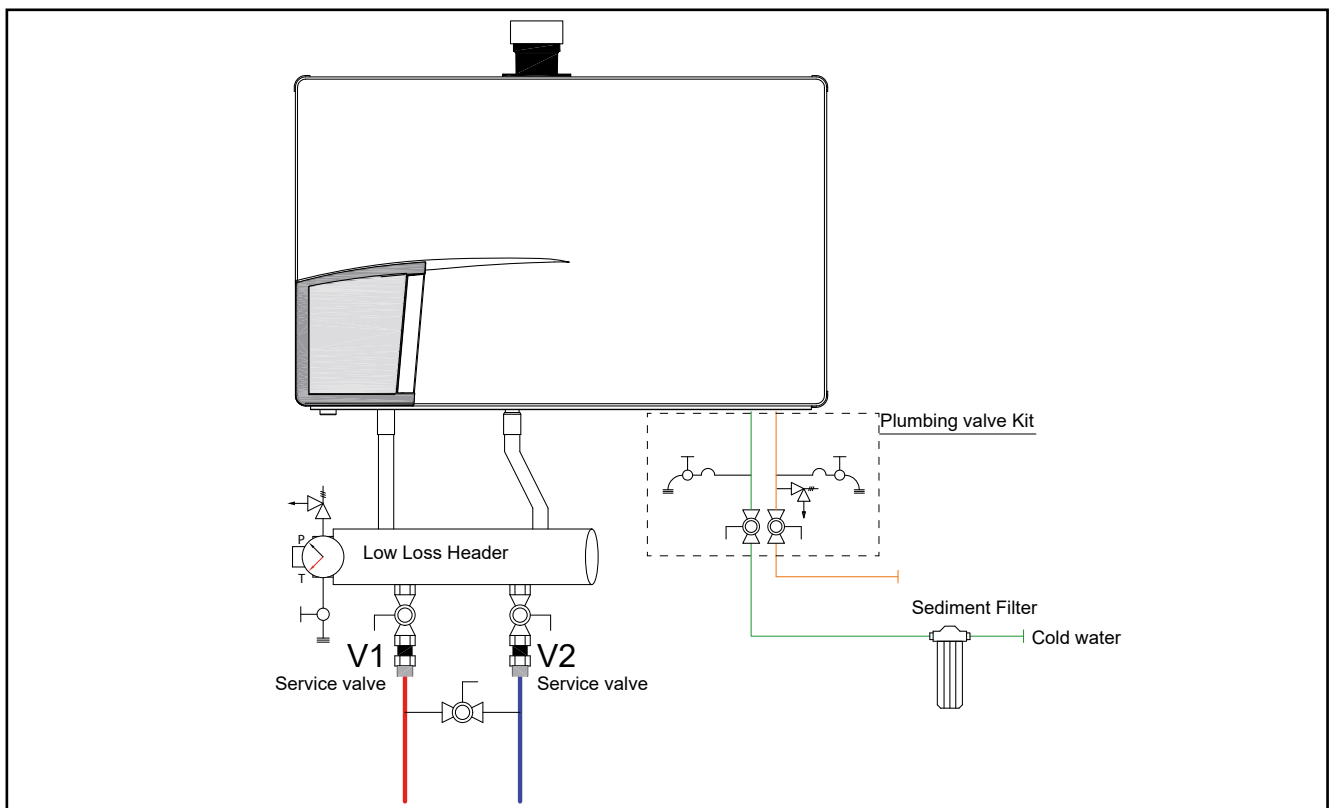
A domestic water expansion tank could be required by local code. Check local code to determine if it is required.

If a combi boiler is installed in a closed water supply system, such as one having a backflow preventer in the cold water supply line, means shall be provided to control thermal expansion. Contact the water supplier or local plumbing inspector on how to control thermal expansion.

### 6.5.4 Installing a valve kit

A means to isolate the domestic indirect tank water heater for cleaning must be provided at installation. Refer to figure 13 for proper piping layout. A Rinnai valve kit can be used on domestic water connections for all combi boilers to allow for cleaning of indirect tank water heater and installation the domestic hot water pressure relief valve.

- Rinnai recommends the use of the WRIK-LF-F(3/4" NPT thread connection) or WRIK-C kit (WRIK-C (3/4" sweat connection) when connecting the domestic water lines to the boiler.
- Use of this kit will assist in flushing the indirect tank water heater in areas where water quality issues exist, as well as improve overall product serviceability.



Boiler DHW piping

figure 14

### 6.5.5 Pressure relief Valve for Combi boilers

- An approved pressure relief valve is required by Rinnai for all water heating systems.
- The relief valve must comply with the standard for Relief Valves and Automatic Gas Shutoff Devices for Hot Water Supply Systems ANSI Z21.22 and/or the standard Temperature, Pressure, Temperature and Pressure Relief Valves and Vacuum Relief Valves, CAN1-4.4.
- The relief valve must be rated up to 150 psi and to at least the maximum BTU/hr of the appliance.

- The discharge from the pressure relief valve should be piped to the ground or into a drain system to prevent exposure or possible burn hazards to humans or other plant or animal life. Follow local codes. Water discharged from the relief valve could cause severe burns instantly, scalds, or death.
- The pressure relief valve must be manually operated once a year to check for correct operation.
- The relief valve should be added to the hot water outlet line according to the manufacturer instructions. DO NOT place any other type valve or shut off device between the relief valve and the combi boiler.
- Do not plug the relief valve and do not install any reducing fittings or other restrictions in the relief line. The relief line should allow for complete drainage of the valve and the line.
- If a relief valve discharges periodically, this may be due to thermal expansion in a closed water supply system. Contact the water supplier or local plumbing inspector on how to correct this situation. Do not plug the relief valve.
- Rinnai does not require a combination temperature and pressure relief valve for this appliance. However local codes may require a combination temperature and pressure relief valve.
- If a combi boiler is installed in a closed water supply system, such as one having a backflow preventer in the cold water supply line, means shall be provided to control thermal expansion. Contact the water supplier or local plumbing inspector on how to control thermal expansion.

## 6.6 Condensate drain pipe

This boiler produces condensate. Condensate must be drained otherwise the boiler will not function and can cause product or property damage.

The condensation drain pipe should be connected to a drain in the building by means of an open connection. By this means the possibility of drain gases effecting the boiler is prevented. The drain connection should have a minimum diameter of 1.3" / 32mm.

Install the condensation drain pipe according to applicable local code.

If the condensate outlet of the boiler is lower than the public sewage system a condensate pump must be used.

The condensate produced by the boiler has a pH value between 3 and 4.

Install a neutralization unit if required by local code. It is recommended, but not required to install a condensate neutralizer. Rinnai offers a condensate neutralizer designed to work with all boiler models. The condensate neutralizer kit comes with all the necessary fittings and mounting material. PVC pipe must be supplied by the installation contractor. Rinnai part number: 804000074

**Do not drain the condensation water to the external rain gutter because of the danger of freezing and blockage of the drain.**

**Before putting the boiler into operation fill the condensate trap with 1.27 cups / 300 ml of water. If the boiler will be installed in a high temperature installation such as baseboard with a supply temperature of 160°F or above, fill the condensate trap with mineral oil instead of water.**

**Use materials approved by the authority having jurisdiction. In absence of such authority, PVC and CPVC pipe must comply with ASTM D1785, F441 or D2665. Cement and primer must comply with ASTM D2564 or F493. For Canada, use CSA or ULC certified PVC or CPVC pipe, fittings and cement.**

**Periodic cleaning of the condensate disposal system must be carried out. See the Rinnai Boiler Applications Manual for further information and a piping diagram for the condensate.**

 NOTICE

 NOTICE

 NOTICE

 NOTICE

## 6.7 Vent system and air supply system

Provisions for combustion and ventilation air must be made in accordance with section, Air for Combustion and Ventilation of the National Flue Gas Code, ANSI Z223.1, or Sections 7.2, 7.3 of 7.4 of CAN/CGA B149.1, Installation Codes, or applicable provisions of the local building codes.

- Do not store chemicals near the boiler or in rooms where the air is being supplied to the boiler. **See the list on page 10.**
- Do not allow the flue gases of other appliances to enter the boiler.
- Keep cabinet free of moisture



### NOTICE

**In the event that the system has actuated to shut off the main burner gas, do not attempt to place the boiler in operation. Contact a licensed professional.**

### 6.7.1 Intake / Exhaust Guidelines

Refer to the specific instructions on your vent product for additional installation requirements.

- For direct vent boilers, proper reassembly and resealing of the vent-air intake system is required.
- You must use vent components that are certified and listed with this model.
- Do not combine vent components from different manufacturers.
- Venting should be as direct as possible with a minimum number of pipe fittings.
- Avoid dips or sags in horizontal vent runs by installing supports per the vent manufacturer's instructions.
- Support horizontal vent runs every four feet and all vertical vent runs every six feet or in accordance with local codes.
- Vent diameter must not be reduced.
- The boiler is unsuitable to install on a common vent installation, see also chapter 20.
- Do not connect the venting system with an existing vent or chimney.
- Do not common vent with the vent pipe of any other combi boiler or appliance.
- Vent connections must be firmly pressed together so that the gaskets form an air tight seal.
- Refer to the instructions of the vent system manufacturer for component assembly instructions.
- If the vent system is to be enclosed, it is suggested that the design of the enclosure shall permit inspection of the vent system. The design of such enclosure shall be deemed acceptable by the installer or the local inspector.



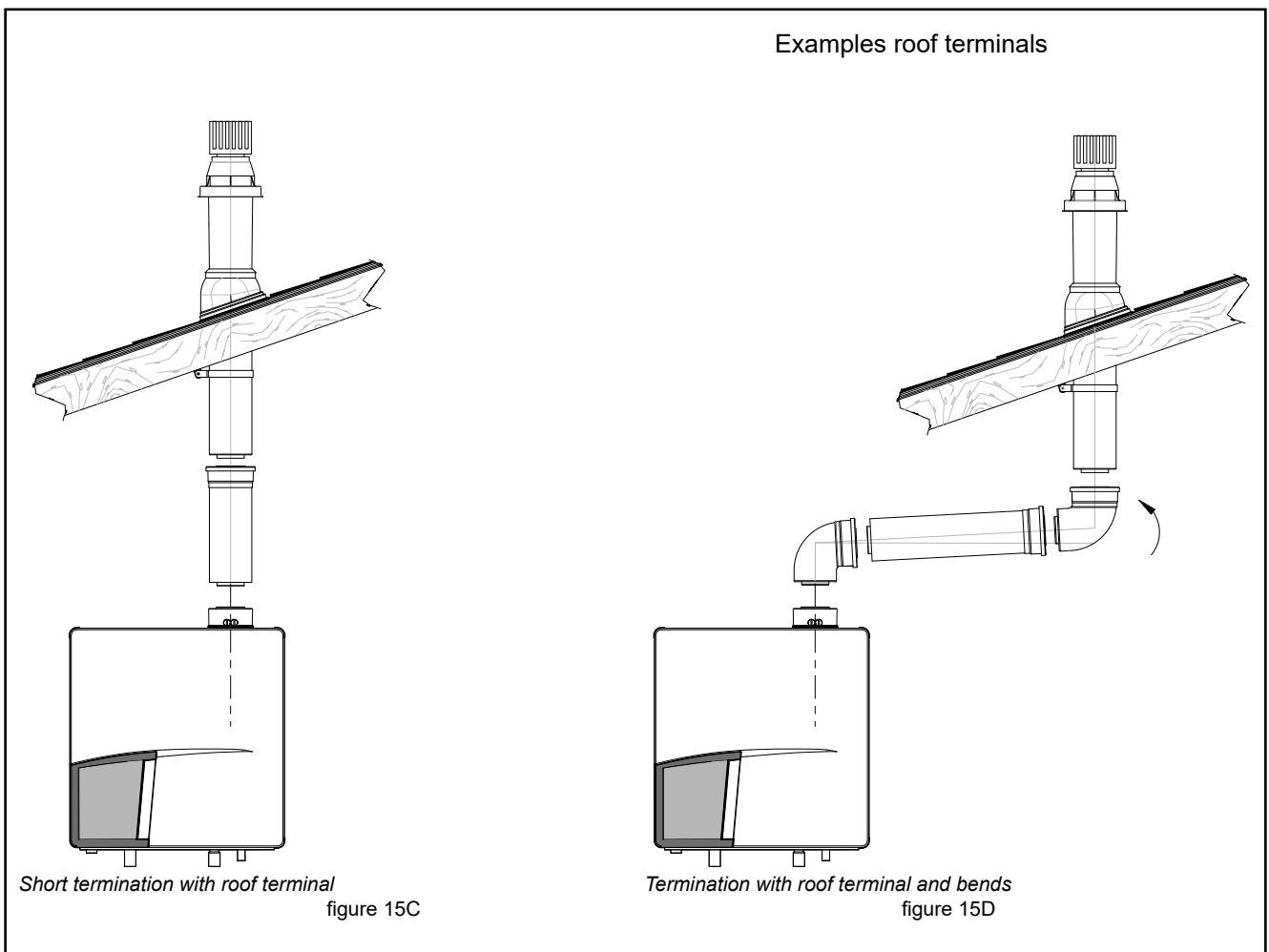
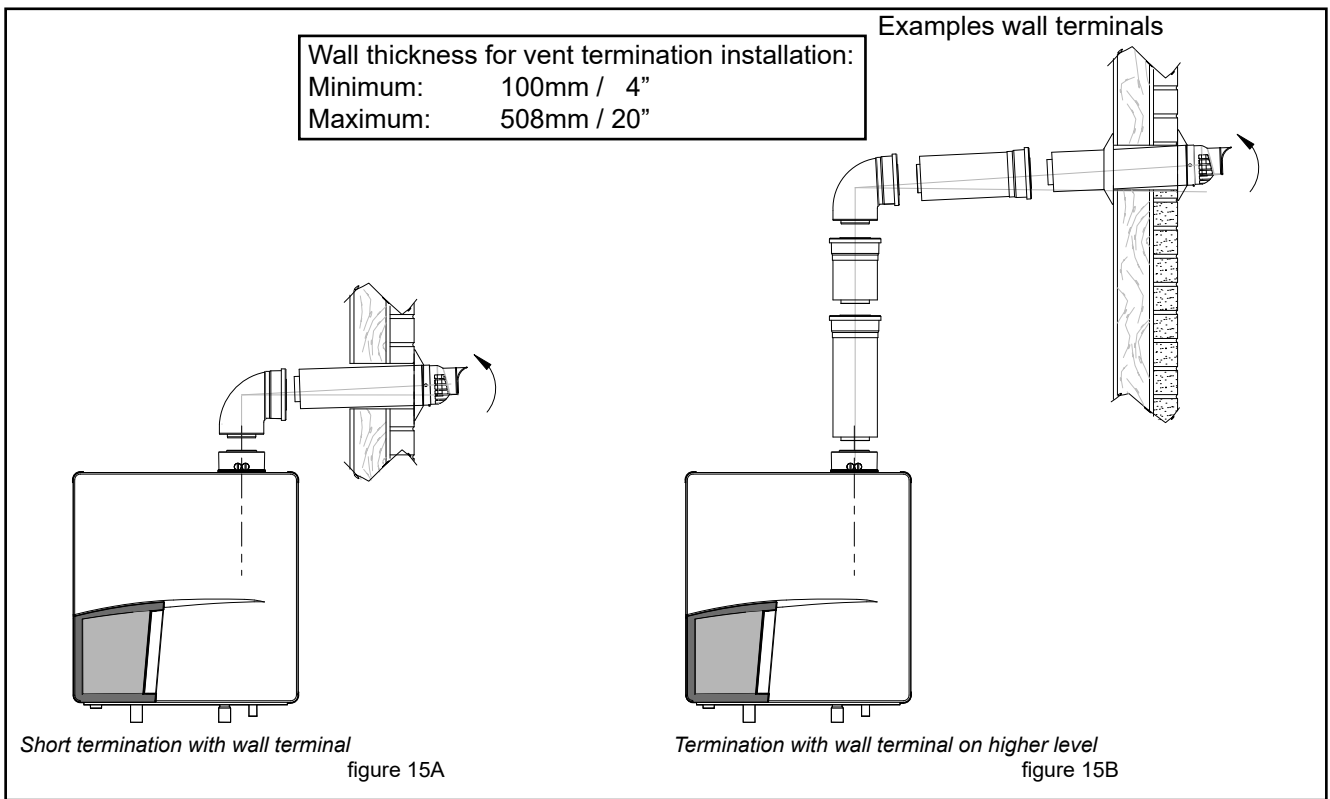
### NOTICE

**If it becomes necessary to access an enclosed vent system for service or repairs, Rinnai is not responsible for any costs or difficulties in accessing the vent system. The limited warranty does not cover obtaining access to an enclosed vent system.**

The instructions for the installations of the venting system shall specify that the horizontal portions of the venting system shall be supported to prevent sagging; the methods of and intervals for support shall be specified. These instructions shall also specify that the venting system:

- For category I, II and IV boilers, have horizontal runs sloping upwards not less than 1/4" per foot (21mm/m) from the boiler to the vent terminal;
- For category III boilers, slope shall be as specified in the boiler manufacturer's instructions;
- For category II and IV boilers, be installed so as to prevent accumulation of condensate; and
- For category II and IV boilers, where necessary, have means provided for drainage of condensate.

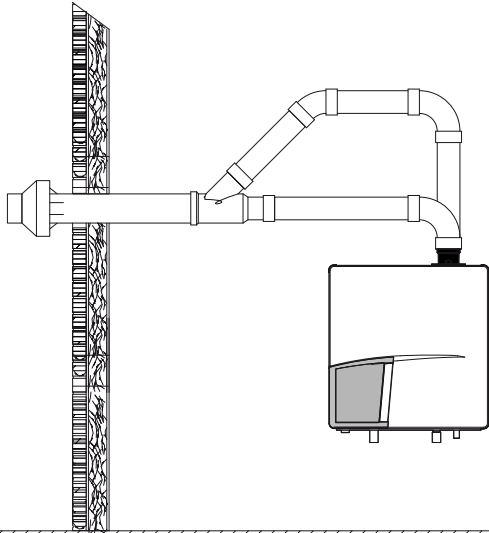
## 6.7.2a Examples vent and air supply systems (concentric)



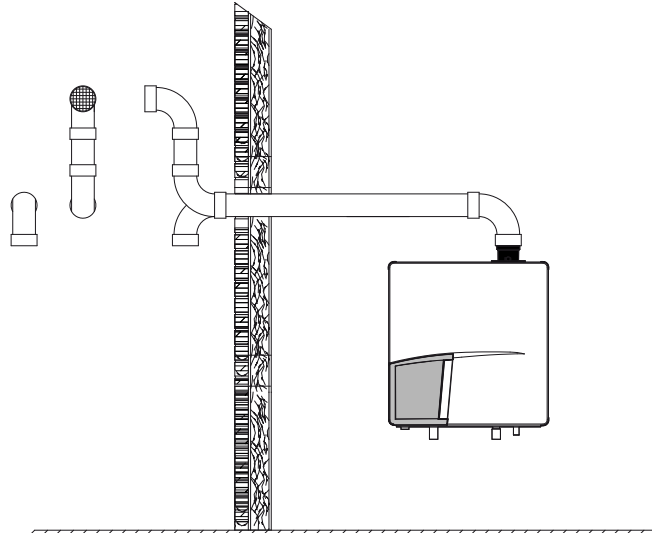
## 6.7.2b Examples vent and air supply systems (parallel)

Wall thickness for vent termination installation:  
 Minimum: 100mm / 4"  
 Maximum: 508mm / 20"

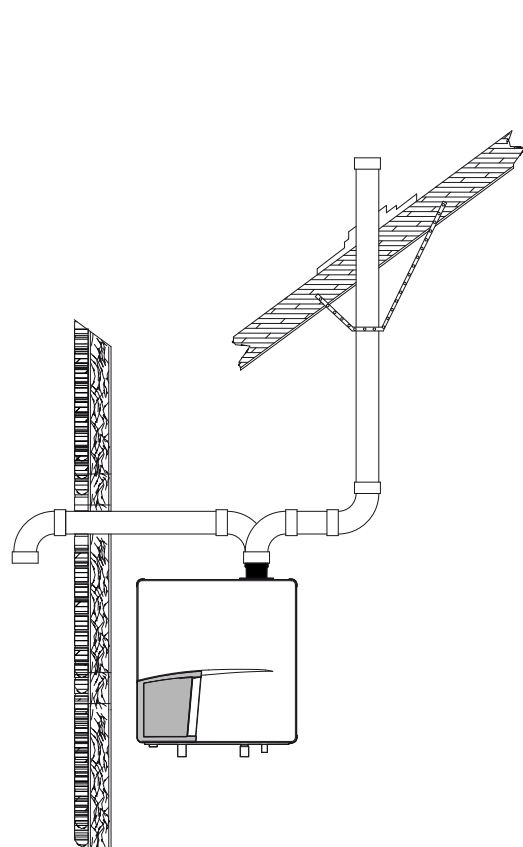
Examples sealed combustions



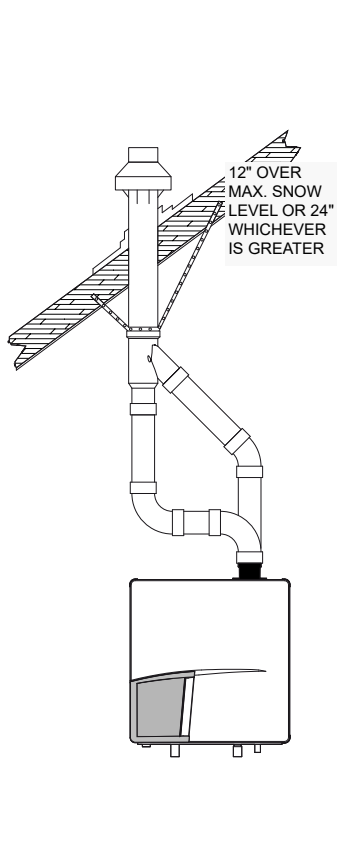
Horizontal with concentric termination figure 16A



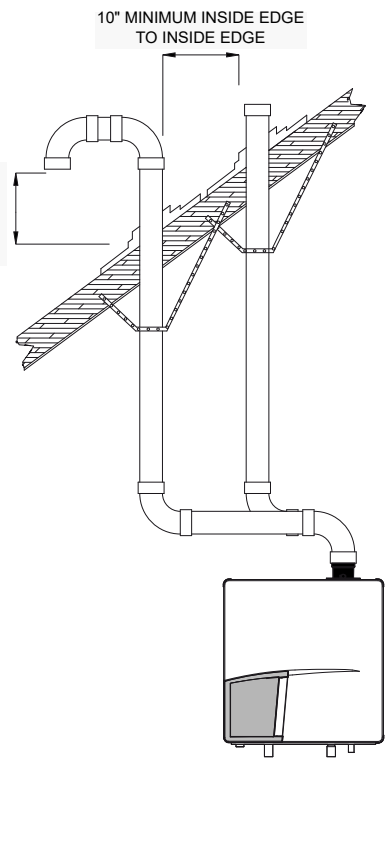
Horizontal with parallel termination figure 16B



Vertical vent and horizontal air intake figure 16C



Vertical with concentric termination figure 16D



Vertical with parallel termination figure 16E

## 6.7.3 Installation of the vent system



### NOTICE

Consult local and state codes pertaining to special building code and fire department requirements. Adhere to national code requirements.



### NOTICE

Follow the listed maximum length of vent systems, which are boiler output dependent. The maximum permissible lengths are listed in table 9, chapter 6.7.7.

The maximum permissible lengths are listed in table 9, chapter 6.7.7.

Decide how to install the exhaust and air intake system. You can choose among:

#### - Concentric system

The concentric connection is provided standard initially.

The boiler concentric connection diameter is 3"/5" (80/125 mm), to which the venting and air supply system can be fitted, with or without elbow pieces. The maximum permissible pipe length is displayed in table 9, chapter 6.7.7.

#### - Parallel system

The boiler can be converted to a parallel system with supplied adapters.

It is possible to use a parallel pipe connection of 2x 3". In this case a separate supplied kit, with 2 vent adapters 3" (ø80mm), cover 5" (ø125mm), vent exhaust pipe and gaskets should be fitted instead of the concentric vent adapter on top of the boiler. See chapter 6.7.3.1 for installation. The maximum permissible pipe length is set out in table 9, chapter 6.7.7.

#### - Room Air System (indoor combustion air)

The boiler can use room air for combustion. If this option is selected the boiler must first be converted to the parallel system. A single exhaust pipe can then be fitted. It is required to use a room air filter (Part nr. 808000025) when using indoor air for combustion. See chapter 6.7.3.2 for installation. The maximum permissible pipe length is set out in table 9, chapter 6.7.7.



### NOTICE

Rinnai strongly recommends the use of the room air filter when a Room Air System (indoor combustion air) is used.



### NOTICE

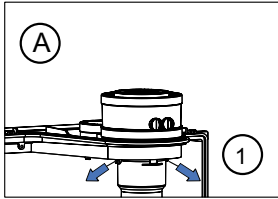
When the boiler is installed in any of the areas listed in chapter 5.1, "Areas likely to have contaminants" or any area exposed to the contaminants listed in chapter 5.1, then sealed combustion is required.



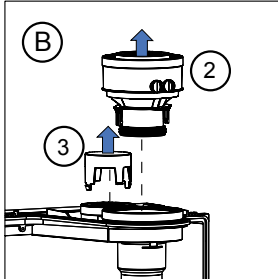
### NOTICE

We advise to install a vent system out of the venting system program supplied by Rinnai (See chapter 19 Parts list Vent system). For further information about the available components of the venting and air supply system we recommend you consult Rinnai and the Installation instructions and parts list documentation.

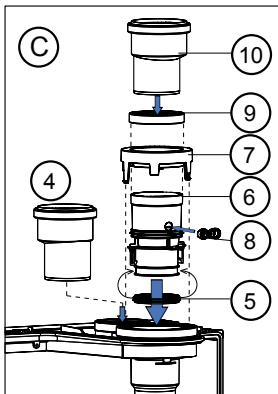
### 6.7.3.1 Boiler conversion from concentric to parallel



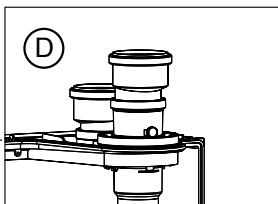
A. 1. Push the 2 clips slightly outwards



B. 2. Pull the concentric adaptor out of the boiler  
3. Press the cover in the connection at the back from inside out



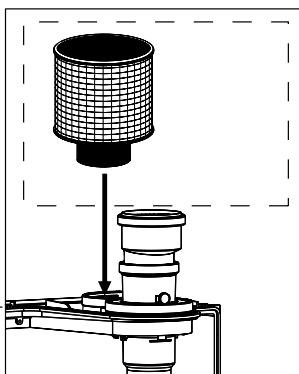
C. 4. Push the 3" adapter into the connection at the back of the boiler (= air intake)  
5. Pull the rubber seal around the bottom of the exhaust connector  
6. Push the exhaust connector in the boiler, in the boiler exhaust pipe until 'CLICK'  
7. Push the 5" cover over the exhaust connector in the 5" opening until 'CLICK'  
8. Push the rubber plug in open position in the O<sub>2</sub> measuring opening and close the stop.  
9. Push the gasket around the top of the exhaust connector  
10. Push the 3" exhaust adaptor in the exhaust connector.



D. Connect the parallel vent system.

boiler conversion from concentric to parallel  
figure 17

### 6.7.3.2 Installing air filter



Push the air filter into the air intake on top of the boiler. See figure 18.

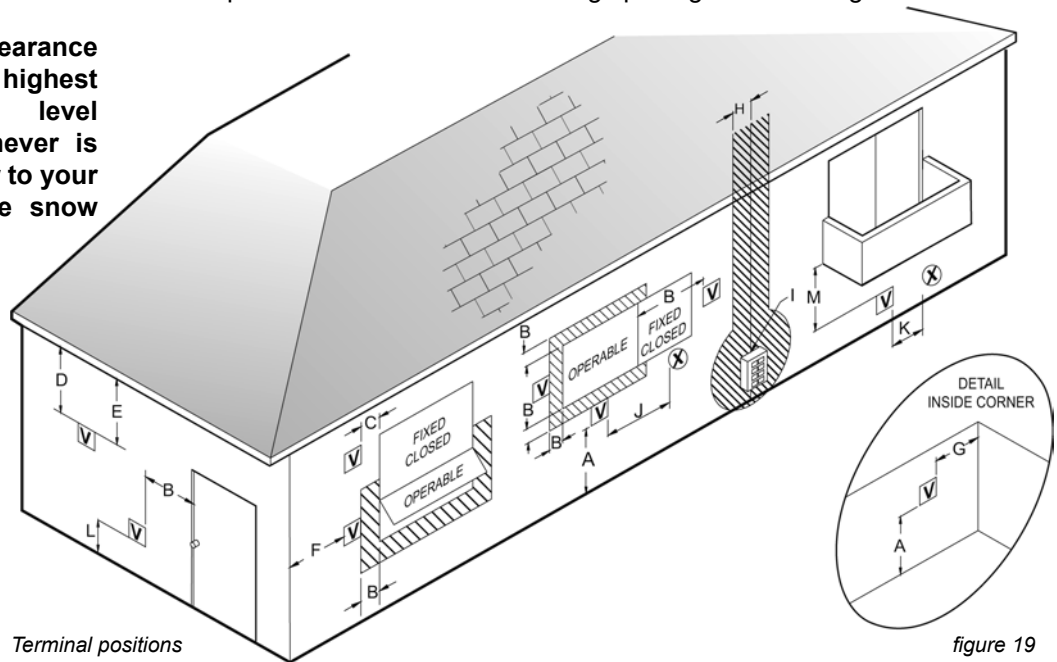
The equivalent length of the combustion room air filter is 12ft (3.66m).

placing air filter on air intake  
figure 18

## 6.7.4 Recommended vent/air intake terminal position

Terminals should be positioned as to avoid products of combustion entering openings into buildings or other vents.

**Maintain 12" of clearance above the highest anticipated snow level or grade or, whichever is greater. Please refer to your local codes for the snow level in your area.**



Terminal positions

figure 19

Ref	Description	Canadian Installations - Direct Vent and non Direct Vent	US Installations Direct Vent	US Installations non Direct Vent
A	Clearance above grade, veranda, porch, deck, or balcony	12 inches (30 cm)	12 inches (30 cm)	12 inches (30 cm)
B	Clearance to window or door that may be opened	6 inches (15 cm) for appliances $\leq 10,000$ Btuh (3 kW), 12 inches (30 cm) for appliances $> 10,000$ Btuh (3 kW) and $\leq 100,000$ Btuh (30 kW), 36 inches (91 cm) for appliances $> 100,000$ Btuh (30 kW)	6 inches (15 cm) for appliances $\leq 10,000$ Btuh (3 kW), 9 inches (30 cm) for appliances $> 10,000$ Btuh (3 kW) and $\leq 50,000$ Btuh (30 kW), 12 inches (91 cm) for appliances $> 50,000$ Btuh (30 kW)	4 feet (1.2 m) below or to side of opening; 1 foot (300 mm) above opening
C	Clearance to permanently closed window	*	*	*
D	Vertical clearance to ventilated soffit, located above the terminal within a horizontal distance of 2 feet (61 cm) from the center line of the terminal	*	*	*
E	Clearance to unventilated soffit	*	*	*
F	Clearance to outside corner	*	*	*
G	Clearance to inside corner	*	*	*
H	Clearance to each side of center line extended above meter/regulator assembly	3 feet (91 cm) within a height 15 feet (4.5 m) above the meter/regulator assembly	*	*
I	Clearance to service regulator vent outlet	36 inches (91 cm)	*	*
J	Clearance to nonmechanical air supply inlet to building or the combustion air inlet to any other appliance	6 inches (15 cm) for appliances $\leq 10,000$ Btuh (3 kW), 12 inches (30 cm) for appliances $> 10,000$ Btuh (3 kW) and $\leq 100,000$ Btuh (30 kW), 36 inches (91 cm) for appliances $> 100,000$ Btuh (30 kW)	6 inches (15 cm) for appliances $\leq 10,000$ Btuh (3 kW), 9 inches (30 cm) for appliances $> 10,000$ Btuh (3 kW) and $\leq 50,000$ Btuh (30 kW), 12 inches (91 cm) for appliances $> 50,000$ Btuh (30 kW)	4 feet (1.2 m) below or to side of opening; 1 foot (300 mm) above opening
K	Clearance to a mechanical air supply inlet	6 feet (1.83 m)	3 feet (91 cm) above if within 10 feet (3 m) horizontally	3 feet (91 cm) above if within 10 feet (3 m) horizontally
L	Clearance above paved sidewalk or paved driveway located on public property	7 feet (2.13 m) [1]	*	7 feet (2.13 m)
M	Clearance under veranda, porch, deck, or balcony	12 inches (30 cm) [2]	*	*

[1] A vent shall not terminate directly above a sidewalk or paved driveway that is located between two single family dwellings and serves both dwellings.

[2] Permitted only if veranda, porch, deck, or balcony is fully open on a minimum of two sides beneath the floor.

\* For clearances not specified in ANSI Z223.1/NFPA 54 or CSA B149.1, clearances are in accordance with local installation codes and the requirements of the gas supplier.



**NOTICE**

See Boiler Applications manual for additional venting information.



**NOTICE**

The termination shall be at least 4 feet (1,220 mm) for the US and 6 feet (1,830 mm) for Canada distance from electric meters, gas meters, regulators and relief equipment. (for room air application only)



**CAUTION**

Horizontal vent systems should always be installed sloping towards the boiler (min. 21 mm/m, 1/4"/ feet), in order to avoid condensate retaining in the vent system. With the condensate running back to the boiler the risk of ice forming at the terminal is reduced.



**CAUTION**

The whole route of the vent system must be installed upwards, never downwards, completely nor partly.



**NOTICE**

Place pipe supports every 4 feet (1,219 mm) of horizontal run, beginning with support near the boiler to prevent movement in fittings and allow boiler to be free from any strain or weight on boiler or fittings.



**NOTICE**

The terminal should be located where dispersal of combustion products is not impeded and with due regard for the damage or discoloration that might occur to building products or vegetation in the vicinity (see fig 19 and 20). In certain weather conditions condensation may also accumulate on the outside of the air inlet pipe. Such conditions must be considered and where necessary insulation of the inlet pipe may be required.

In cold and/or humid weather water vapor may condense on leaving the vent terminal. The effect of such 'water condensation' must be considered.



**NOTICE**

The terminal must be located in a place not likely to cause a nuisance.

Use the Instructions of the Rinnai venting system for installation and service.



**NOTICE**

Cellular or Foam core PVC, CPVC and Radel is not permitted for use with the boiler.



**NOTICE**

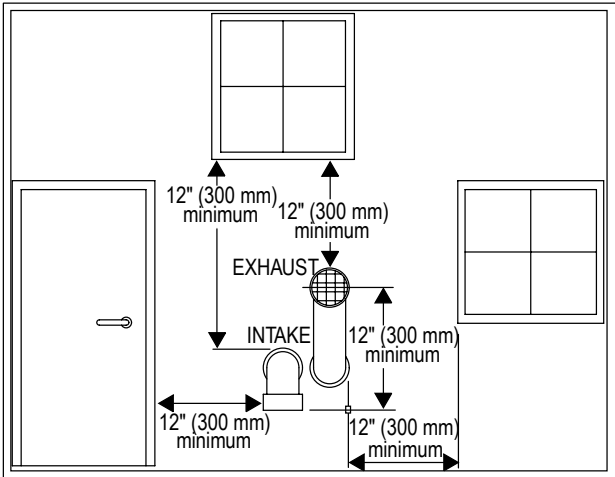
The application of any type of insulation is prohibited for use with any Plastic venting system.

Item Description	Flue Material	Approval Codes for Installation	
		United States	Canada
Plastic Vent and/or air pipes and fittings	PVC Schedule 40	ANSI/ASTM D1785	ULC S636
	PVC - DWV	ANSI/ASTM D2665	
	CPVC Schedule 40	ANSI/ASTM F441	
Plastic Pipe cement and primer	PVC	ANSI/ASTM D2564	
	CPVC	ANSI/ASTM F493	

Item Description	Flue Material	Manufacturer	Approval code US/CAN	Flue system
Stainless steel vent systems	Stainless Steel	Heat Fab	UL1738 Concentric twin pipe	Saf-T Vent SC Saf-T Vent EZ Seal
Stainless steel vent systems	Stainless Steel	Simpson Dura-Vent	UL1738 Flexible liner UL1738 Concentric twin pipe	FastNSeal Flex FastNSeal
Stainless steel vent systems	Stainless Steel	Ubbink		Rolux Condensing Vent System
Plastic Vent System	PPS	Ubbink	ULC S636	Rolux Condensing Vent System
Plastic Vent System	PVC/CPVC	IPEX	ULC S636	System 636
Plastic Vent System	PPS	Centrotherm	ULC S636 and UL 1738	Innoflue

Approval codes for installation of venting system

table 7



Terminal positions PVC

figure 17

Fittings or Piping Equivalent PVC	feet	m
45 degree elbow	3	0.91
90 degree elbow	6	1.83
plastic pipe per foot	1	0.30
concentric vent kit	3	0.91

Equivalent friction loss of PVC/CPVC

table 8

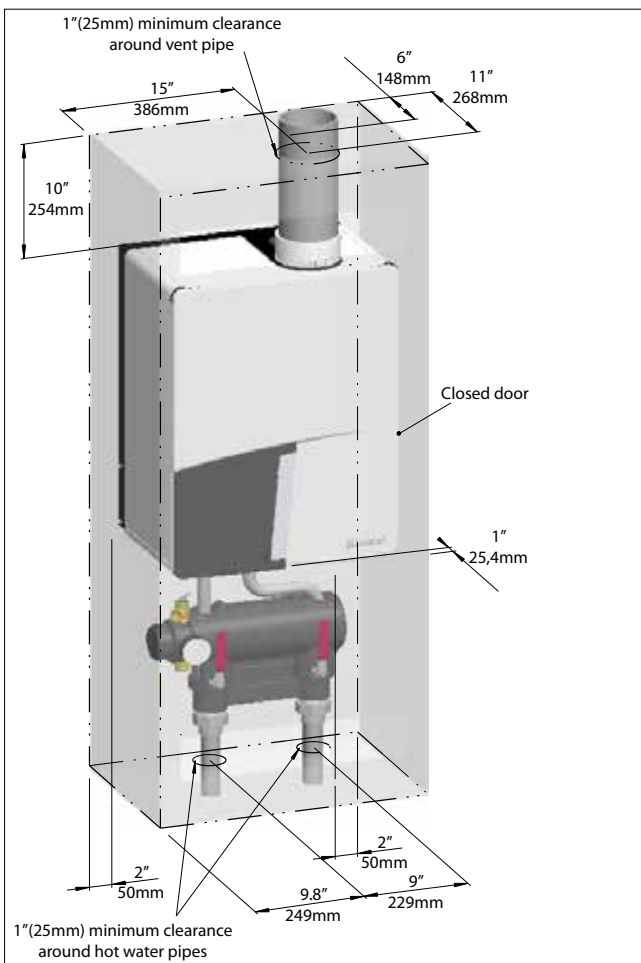
## 6.7.5 Direct vent closet and alcove installation



### WARNING

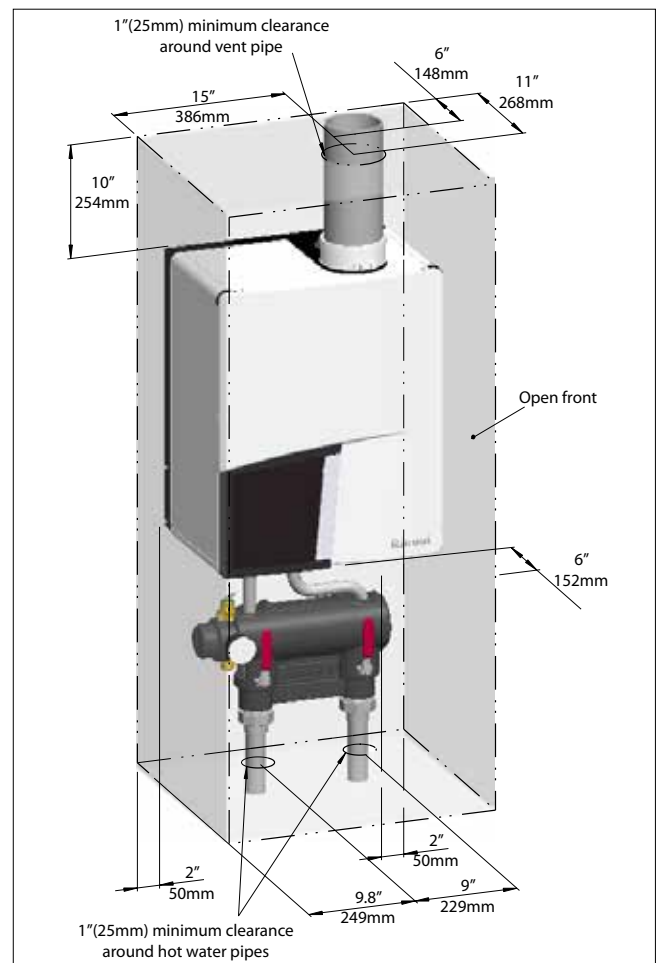
For closet and alcove installation, CPVC material, instead of PVC, must be used in a closet/alcove structure. Failure to follow this warning could result in fire, personal injury, or death.

Rinnai strongly suggests the use of concentric venting for all closet and alcove installations. For non direct vent room air applications see sections 6.7.6 and 6.7.9.



Closet installation

figure 21



Alcove installation

figure 22

**DANGER**

The wall mounted boiler must be vented and supplied with combustion and ventilation air as described in this section.

Ensure the vent and air piping and the combustion air supply comply with these instructions regarding vent system, air system, and combustion air quality.

Inspect finished vent and air piping thoroughly to ensure all are airtight and comply with the instructions provided and with all requirements of applicable codes.

Failure to provide a properly installed vent and air system may cause severe personal injury or death.

**WARNING**

Use only the material listed in Rinnai's vent documentation for vent pipe, and fittings. Failure to comply could result in severe personal injury, death or substantial property damage.

**NOTICE**

Installation must comply with local requirements and with the National Fuel Gas Code, ANSI Z223.1 for U.S installations or CSA B 149.1 for Canadian installations.

**WARNING**

For closet and alcove installation, CPVC material, instead of PVC, must be used in a closet/alcove structure. Failure to follow this warning could result in fire, personal injury, or death.

**NOTICE**

All vent pipes must be connected and properly supported, and the exhaust must be pitched a minimum of a 1/4"/foot (21 mm/m) back to the boiler (to allow drainage of condensate). Please refer to the venting manufacturer's manual to see if a larger pitch is required for specific venting systems. The venting system manufacturer's required venting pitch must always be followed if larger than 1/4" (21 mm). Ubbink concentric condensing venting requires a pitch of 3/4"/foot (6mm/m).

**NOTICE**

Combustion air piping from the outside **MUST** comply to the requirements of the authority having jurisdiction or, in the absence of such requirements, to the latest edition of the National Fuel Gas Code, ANSI Z223.1/NFPA 54. In Canada, installation must be in accordance with the requirements of CAN/CSA B149.1, Natural Gas and Propane Installation Code.

**NOTICE**

See the Rinnai Boiler Applications Manual for further information on venting.

## 6.7.7 Combustion air and vent piping lengths.

In the table below you will find the maximum equivalent pipe length of the vent/air system based on 2" and 3" diameter. These lengths are for single pipe (room air), twin pipe, and concentric venting systems.

Maximum Equivalent Length (Dimension in Feet and Meters) - Model & Vent Type Specific							
Item #	Vent type	Q85S/Q130S		Q175C/Q175S		Q205S	
		feet	m	feet	m	feet	m
1	2" PPS Single Pipe (Room Air) & Twin Pipe	40	12.2	---	---	---	---
2	3" PPS Single Pipe (Room Air) & Twin Pipe	100	30.5	80	24.4	40	12.2
3	2" PPS Twin Pipe to 2"/4" PPS Cnctrc. Termination	40	12.2	---	---	---	---
4	3" PPS Twin Pipe to 3"/5" PPS Cnctrc. Termination	100	30.5	80	24.4	40	12.2
5	3"/5"PP Concentric Pipe	100	30.5	80	24.4	40	12.2
6	2" Flex Vent	20	6.1	---	---	---	---
7	3" Flex Vent	50	15.2	40	12.2	20	6.1
8	3" PVC/CPVC Single Pipe & Twin Pipe w/or without 3" CVK Termination	100	30.5	80	24.4	40	12.2
9	2" PVC	20	6.1	---	---	---	---

Equivalent vent length

table 9

Fittings or Piping Equivalent PVC		
	feet	m
45 degree elbow	3	0.91
90 degree elbow	6	1.83
plastic pipe per foot	1	0.30
concentric vent kit	3	0.91

Equivalent friction loss of PVC/CPVC

table 9a

Centrotherm PPS Equivalent lengths for piping fittings		
	feet	meters
45 degree elbow	6	1.83
87 degree long elbow	12	3.66
Termination Tee	12	3.66
Twin Pipe to Concentric Adapter	4	1.22
Low profile wall termination	12	3.66
Velocity Cone	12	3.66

Equivalent friction loss of Centrotherm PPS

table 9b

### Calculation of equivalent length vent system

Choose the vent type and fill out the corresponding table.

\* See equivalent length tables and equivalent friction loss tables for 2" and 3" above.

#### Parallel system

Length tube	Number of elbows 90° x 6*	Number of elbows 45° x 3*	Concentric terminal Add 5 ft.*	Total	Multiply with factor	Equivalent length
<b>Combustion air</b>						
ft	ft	ft	ft	ft	0.5	ft
<b>Vent</b>						
ft	ft	ft	ft	ft	0.5	ft
<b>Total equivalent length</b>						<b>ft</b>

#### Concentric system

Length concentric tube, boiler to roof horizontal	Number of elbows 90° x 6*	Number of elbows 45° x 3*	Concentric terminal Add 2 ft.*	Total	Multiply with factor	Total equivalent length
ft	ft	ft	ft	ft	1.0	ft

Example of calculation:

2" Twin tube (parallel) with terminal

Combustion air length : 40 ft with elbow 3 x 87°

Vent length : 40 ft with elbow 2 x 87°, elbow 2 x 45°

Calculation:

Equivalent Air Length :  $(40+3 \times 12+2) \times 0.5 = 39$  ft

Equivalent Vent Length :  $(40+2 \times 12+2 \times 6+2) \times 0.5 = 39$  ft +

Total = 78 ft.

## 6.7.8 Calculation of compensation factor

The compensation factor eliminates or reduces the natural effect of derate of maximum input caused by the resistance of the vent system and/or the impact of the altitude.

1. Determine the Compensation Factor Vent System CF(V) in the table below.

Eq. length (ft)		Boiler type			
min	max	Q85	Q130	Q175	Q205
0	10	0	0	0	0
11	20	0	0	2	3
21	30	0	2	4	6
31	40	1	4	6	10
41	60	2	6	10	n.a.
61	80	3	8	15	n.a.
81	100	4	10	n.a.	n.a.

Compensation factor vent system CP(V)

table 10

2. Determine the Compensation Factor Altitude CF(A) in the table below.

Altitude (ft)		Boiler type
min	max	Q85, Q130, Q175, Q205
0	1,000	0
1,000	2,000	6
2,000	3,000	12
3,000	4,000	18
4,000	5,000	24
5,000	6,000	30
6,000	7,000	36
7,000	8,000	42
8,000	9,000	48
9,000	10,000	54

Compensation factor altitude CP(A)

table 11



### NOTICE

Any application or installation above 10,000 must be reviewed by Rinnai's Engineering group. This is to ensure the product is installed and the overall system is designed properly and that the units are commissioned properly. Not involving of Rinnai's Engineering group would result in no support of the product and no warranty.

3. Calculate the Compensation Factor Total CF(T):

$$CF(T) = CF(V) + CF(A)$$

The result is the setting for Parameter 73.

Change parameter 73 according to this result. See Chapter 11.1 how to change parameters.

Example of calculation:		
Q175		
Eq. length vent system (taken from previous example)	46 ft	CF(V) = 10
Altitude	7,200ft	CF(A) = 42 +
		CF(T) = 52
Parameter setting (Par. 73) = 52		



### WARNING

Do not overcompensate the boiler by setting a higher value than calculated, otherwise the boiler could be damaged.

## 6.7.9 Room Air System (indoor combustion air)

When using indoor air, Rinnai strongly recommends the use of an indoor air filter, P/N 808000025.



### WARNING

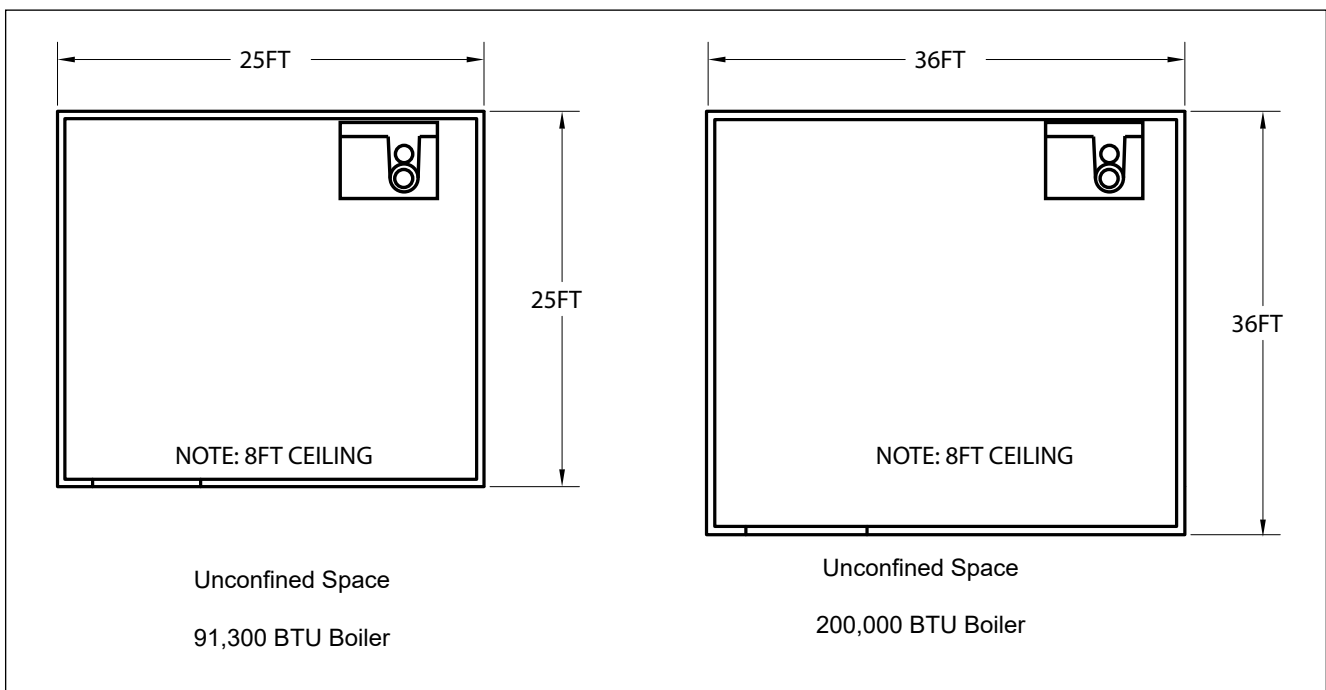
This boiler requires adequate combustion air for ventilation and dilution of flue gases. Failure to provide adequate combustion air can result in unit failure, fire, explosion, serious bodily injury or death. Use the following methods to ensure adequate combustion air is available for correct and safe operation of this boiler.

Important: Combustion air must be free of corrosive chemicals. Do not provide combustion air from corrosive environments. Appliance failure due to corrosive air is not covered by the limited warranty.

Combustion air must be free of acid forming chemical such as sulfur, fluorine and chlorine. These chemicals have been found to cause rapid damage and decay and can become toxic when used as combustion air in gas appliances. Such chemicals can be found in, but not limited to bleach, ammonia, cat litter, aerosol sprays, cleaning solvents, varnish, paint and air fresheners. Do not store these products or similar products in the vicinity of this boiler.

### Unconfined Space:

An unconfined space is defined in NFPA #54 "as a space whose volume is not less than 50 cubic feet per 1000 Btu/hr (4.8 m<sup>3</sup> per kW per hour) of the aggregate input rating of all appliances installed in that space. Rooms communicating directly with the space in which the appliances are installed, through openings not furnished with doors, are considered a part of the unconfined space." If the "unconfined space" containing the appliance(s) is in a building with tight construction, outside air may still be required for proper operation. Outside air openings should be sized the same as for a confined space.



Unconfined space

figure 23

### Confined Space:

(Small Room, Closet, Alcove, Utility Room, Etc.)

A confined space is defined in the NFPA #54 as "a space whose volume is less than 50 cubic feet per 1000 Btu/hr (4.8 m<sup>3</sup> per kW per hour) of the aggregate input rating of all appliances installed in that space." A confined space must have two combustion air openings. Size the combustion air openings based on the BTU input for all gas utilization equipment in the space and the method by which combustion air is supplied:

- Using indoor air for combustion
- Using outdoor air for combustion

### Louvers and Grills

When sizing the permanent opening as illustrated in figure 24, consideration must be taken for the design of the louvers or grills to maintain the required free area required for all gas utilizing equipment in the space. If the free area of the louver or grill design is not available, assume wood louvers will have 25% free area and metal louvers or grills will have 75% free area. Under no circumstance should the louver, grill or screen have openings smaller than 1/4".

Example:

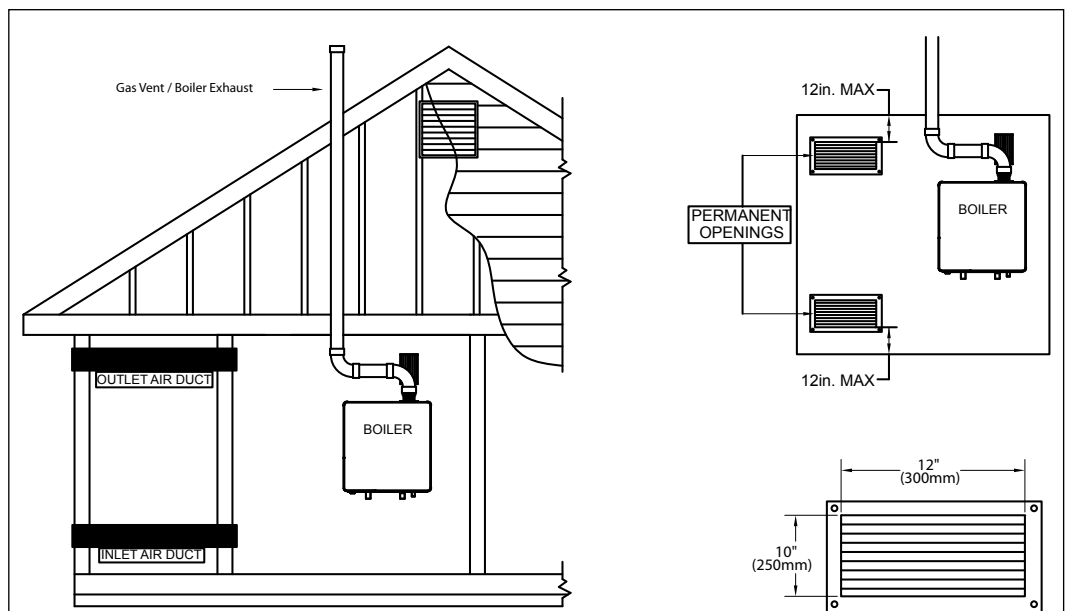
Wood: 10 in x 12 in x 0.25 = 30 in<sup>2</sup>

Metal: 10 in x 12 in x 0.75 = 90 in<sup>2</sup>

### Location

To maintain proper circulation of combustion air two permanent openings (one upper, one lower) must be positioned in confined spaces. The upper shall be within 12 inches of the confined space and the lower opening shall be within 12 inches of the bottom of the confined space. Openings must be positioned as to never be obstructed.

Combustion air provided to the boiler should not be taken from any area of the structure that may produce a negative pressure (i.e. exhaust fans, powered ventilation fans).



Louvers and grills

figure 24

### Using Indoor Air For Combustion

When using air from other room(s) in the building, the total volume of the room(s) must be of adequate volume (Greater than 50 cubic feet per 1000 Btu/hr). Each combustion air opening must have at least one square inch of free area for each 1000 Btu/h, but not less than 100 square inches each.

### Using Outdoor Air For Combustion

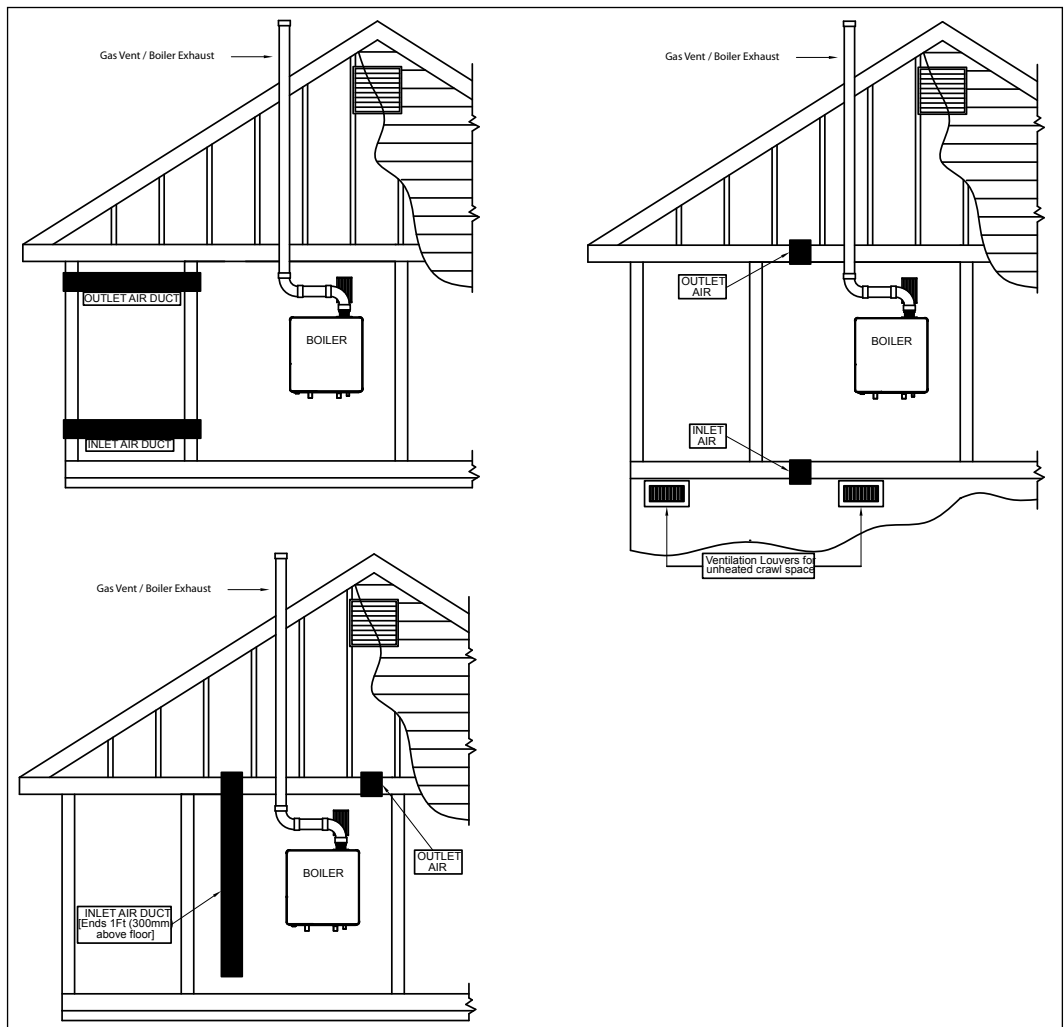
Outdoor air can be provided to a confined space through two permanent openings, one commencing within 12 in. (300mm) of the top and one commencing within 12" (300mm) of the bottom, of the confined space. The openings shall communicate to the outside by one of two ways:

- directly through horizontal ducts
- indirectly through vertical ducts

**When communicating directly with the outdoors through horizontal ducts, each opening shall have a minimum free area of 1 in<sup>2</sup>/2000 Btu/hr (1100 mm<sup>2</sup>/kW) of total input rating of all appliances in the confined space.**

**Note: If ducts are used, the cross sectional area of the duct must be greater than or equal to the required free area of the openings to which they are connected.**

**When communicating indirectly with the outdoors through vertical ducts, each opening shall have a minimum free area of 1 in<sup>2</sup>/4000 Btu/hr (550 mm<sup>2</sup>/kW) of total input rating of all appliances in the confined space. Combustion air to the appliance can be provided from a well ventilated attic or crawl space.**

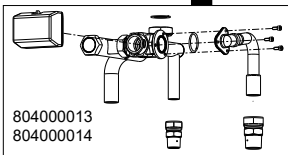
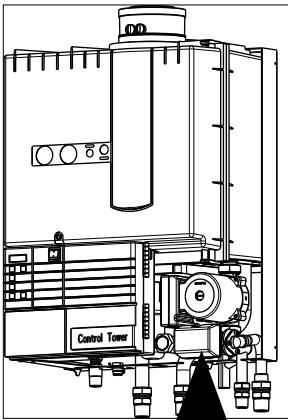


Louvers and grills

figure 25

## 7 External domestic hot water tanks

### WARNING



# way valve conversion kit  
figure 26

**Note the local codes for requirements for connecting an external hot water cylinder to the boiler. The installation must comply to these codes.**

Depending on the domestic hot water requirements and comfort preferences various external hot water tanks can be connected to the boiler.

Connecting an external hot water tank to the Q175C is NOT possible.

Connecting an external hot water tank to the Q-Series solo boilers can be done in 2 ways:

1. For Q85S, Q130S, Q175S, Q205S:  
Using an optional three-way valve installed in the return line under the boiler between boiler and plumbing kit and directly controlled by the boiler control. For the Q-Series Solo boilers a special internal three-way valve conversion kit is available (fig. 26).

- **Part.no. 804000013:** For the Q85S and Q130S
- **Part.no. 804000014:** For the Q175S and Q205S

2. For Q85S, Q130S, Q175S, Q205S :  
An external hot water tank connected on the secondary side of the plumbing kit, separately controlled by another device.

The capacity of the boiler must be defined by the installer.

The choice of the tank depends on the coil output.

### NOTICE

**The coil output of the tank must comply with the boiler output.**

For the Q85S or Q130S the minimum coil output must be 85,000 BTU/hr. This to prevent the boiler for short cycling.

### NOTICE

**The Q175S and the Q205S have limited outputs with the 3 way valve kit. Both boilers are limited to 130,000 BTU/hr for the DHW output when using the 3 way valve kit. Please take this into account when sizing the indirect hot water tank.**

### NOTICE

**For additional information on piping and control of indirect tanks, please see the Rinnai Boiler Applications Manual.**

### NOTICE

**For additional information on the Rinnai 3-way valve indirect tank kit, please see the installation manual for the kit.**

### NOTICE

**Rinnai recommends the use of a thermostatic mixing valve on all indirect tanks used with Q boilers on the domestic hot water side to prevent scalding. This valve will regulate the water temperature leaving the indirect tank.**

## 8 Electrical connections

The electrical connections to the boiler must be electrically grounded in accordance with all applicable local codes and the latest revision of the National Electrical Code, ANSI/NFPA-70. Installations should also conform with CSA C22.1 Canadian Electrical Code Part 1 if installed in Canada.

Devices such as, outdoor sensor, room thermostat or temperature control, 3-way valve (except Q175CN/Q175CP), temperature sensor or thermostat and an external pump are all connected to the internal connection terminal. The connection terminal is situated in the Control Tower.

### Connecting incoming power

Lead the cable through the back part of the boiler using a strain relief and lead the cable through the cable supports to the Control Tower. Use a step drill bit to create a knockout in the black steel on the bottom of the boiler for a strain relief. A number of predrilled holes can be enlarged to fit different strain relief and conduit connections. Connect a power supply cable to the cable harness terminal strip that connects to both the power switch on the front of the Control Tower and the terminal strip with positions 1,2, and 3 on the inside of the Control Tower.



**CAUTION**

**The boiler must be electrically grounded in accordance with local codes, or in absence of local codes, with the National Electrical Code, ANSI/NFPA 70 and/or the CSA C22.1, Electrical Code.**

### RISK OF ELECTRIC SHOCK.

Once the main power supply is on then there is 120V on terminals 1 to 12 when the main switch at the front of the Control Tower is switched on.



**CAUTION**

- **No changes may be made to the wiring of the boiler.**
- **All connections should be designed in accordance with the applicable regulations.**



**CAUTION**

- **Label all wires prior to disconnection when servicing controls. Wiring errors can cause improper and dangerous operation.**



**CAUTION**

- **Verify proper operation after operation servicing.**



**NOTICE**

The Rinnai room thermostat and controls must be connected to their allocated connections. All other types or makes of room thermostats or controls which are used must have a Volt free contact.

When using an on/off thermostat or control, it may be necessary to calibrate the anticipating resistance to prevent too high temperature fluctuations. As a standard rule this means mercury thermostats. This resistance wire is present in the Control Tower and must be connected to terminals 23 and 27. The anticipating resistance in the room thermostat has to be set at 0.11 A.

For more detailed questions regarding the components which are not supplied, the distributor should be contacted.



**NOTICE**

When wiring an RS100 it is suggested that a jumper be placed on terminals 22 and 23 so that in the event the control is damaged the boiler will still fire based on outdoor reset.

A jumper should also be used when commissioning or trouble shooting the boiler.



**NOTICE**

Power stealing thermostats cannot be connected to terminals 22 and 23.

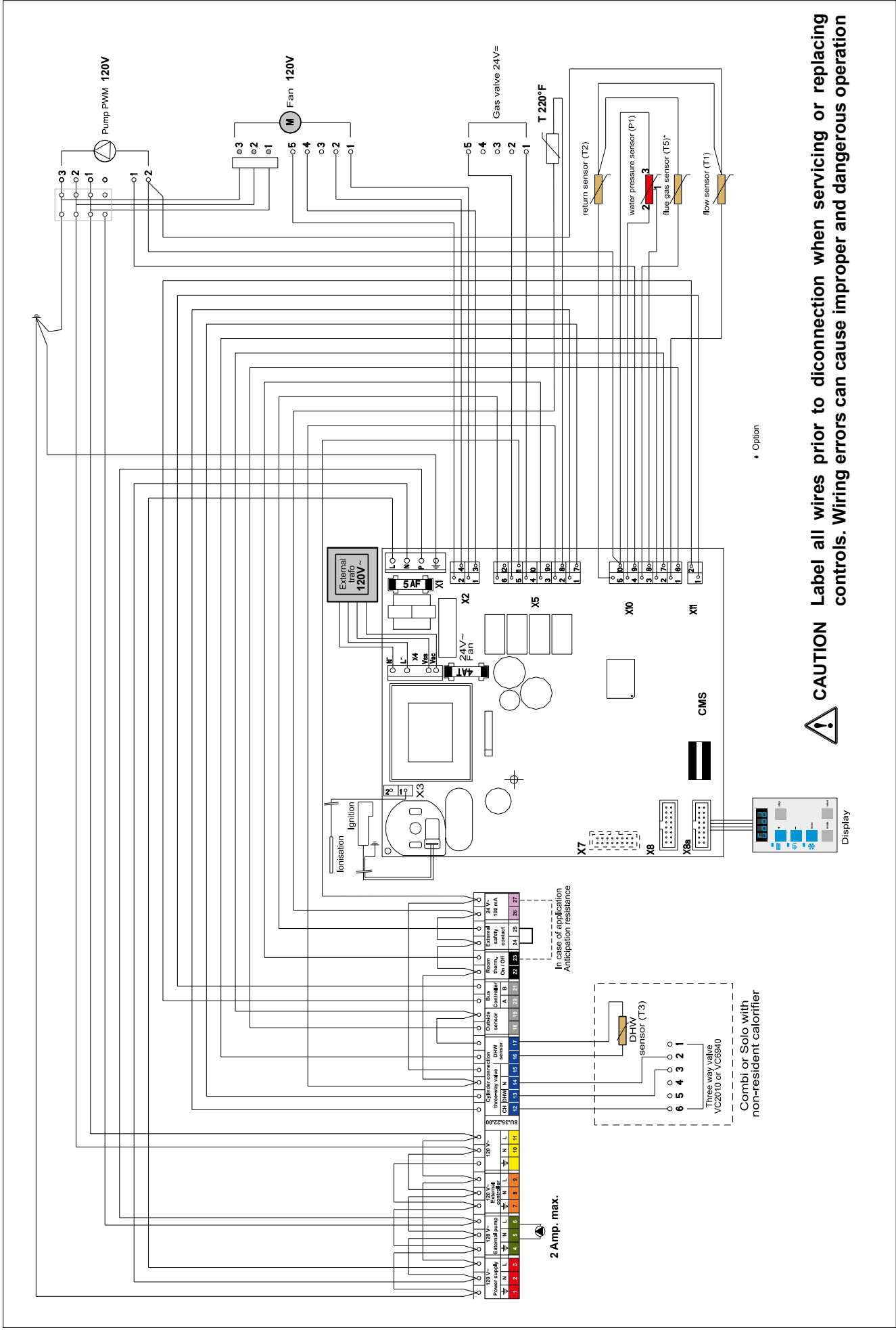
**Connection terminal Q-Series**

120 V~ Power supply			120 V~ External pump			120 V~ Ext. controller			120 V~			8U352200	Cylinder connection				Outside sensor		Bus Controller		Room therm. On / Off		External safety contact		24 V~ 100 mA		
N	L		N	L		N	L		N	L			CH	DHW	N		DHW sensor			A	B						
1	2	3	4	5	6	7	8	9	10	11			12	13	14	15	16	17	18	19	20	21	22	23	24	25	26
main power supply			120 Volts for external pump			120 Volts Rinnai only			120 Volts Rinnai only			internal or external three-way valve motor and tank sensor				ARV12 outdoor sensor		Bus room thermostat RS100 only		On/off thermostat or control (Volt free)		External safety contact		24 Volts maximum 100 mA			

**CAUTION**  
Make sure that the power consumption of each of the terminals 4-5-6 does not exceed 230W or 2 Amp.

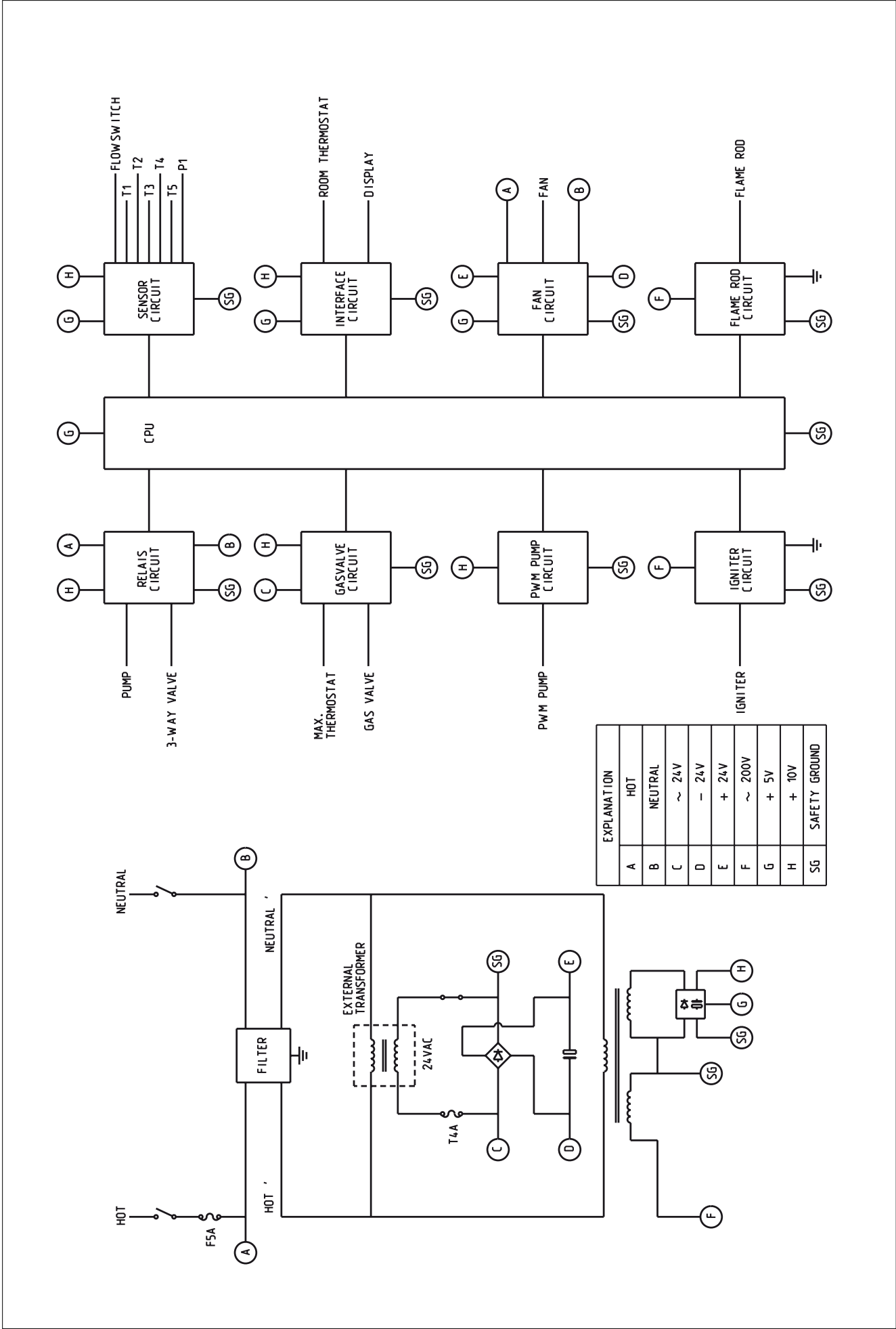
Connection terminal

figure 27



electrical diagram

figure 28



EXPLANATION	
A	HOT
B	NEUTRAL
C	~ 24V
D	- 24V
E	+ 24V
F	~ 200V
G	+ 5V
H	+ 10V
SG	SAFETY GROUND

electrical ladder diagram

The boiler is provided with a fully automatic microprocessor control, called CMS Control Management System. This control simplifies operation by undertaking all major control functions. Initially when power to the unit is switched on it will remain on standby. There is no indication LED on, until one of the program buttons is pressed. The control panel display will show the relevant state. When the boiler installation is empty the display will show FILL.

The various parameters can be called up in two ways:

#### The Good-state or standard read out

The first way shows a simple display read out.

The boiler in operation will always show 'Good'. When a message is necessary this will be shown instead of Good.

#### Technical read out

The second way is a technical read out. In normal situations the following will be shown:

- on the left the status in which the boiler is active;
  - on the right the supply temperature in °F;
- alternately indicated by:
- the water pressure in the installation in PSI.

Example

Example

When a message (error or blocking code) is necessary this will be shown instead of the technical read out.



#### NOTICE

**To switch over from the Good-state to the Technical read out (and vice versa):**  
**- Press the STEP-button for 5 seconds.**

When the system has been filled the automatic de-aeration program starts, when a program has been selected, by pressing the button for Central Heating, DHW or pump program ( , or ). The program takes 17 minutes and stops automatically. After this the unit will function normally. (See also 'Filling and de-aerate the boiler and installation, chapter 10).

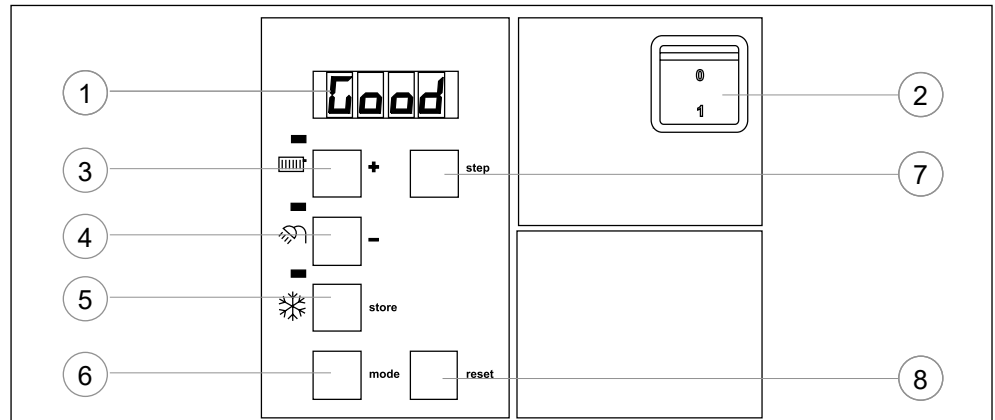
On a call for heating or hot water the control system will select the required water control temperature. This water temperature is called the T-set value. On a call for central heating the boiler ignites first at low input. The input is then changed slowly to match the load required. The boiler operates in this way to avoid excessive water noises and temperature overshoot. On a call for domestic hot water supply the T-set value of central heating return water temperature is monitored. Depending on the amount of domestic water which is withdrawn from the DHW tank, the central heating return water temperature, from which the input is adjusted, will vary.

#### Operation indication

(in the first display position by technical read out)

- |  |  |
|--|--|
|  | No heat demand   |
|  | Fan pre/post purge   |
|  | Ignition phase   |
|  | Burner active on central heating   |
|  | Burner active on DHW   |
|  | Fan check  |
|  | Burner off when room thermostat is demanding or burner off when DHW is calling |
|  | Pump overrun phase for central heating   |
|  | Pump overrun phase for hot water   |
|  | Burner off because of to high flow temperature                                 |
|  | Automatic de-aeration program  |

## 9.1 Explanation of the function buttons



Boiler control panel

figure 29

### NOTICE

Only licensed professionals who are trained for servicing these boilers are permitted to make alterations in the controller to calibrate the boiler to the installation.



1. **Display.** See previous page for further information.

2. **ON-OFF Switch**

This switch turns the power supply to the boiler on or off.

### CAUTION

Only turn the boiler off using this switch, when the burner is off.



3. **Central Heating program button.**

Switching the Central Heating on or off (LED on/off);



4. **Hot Water program button.**

Switching the Domestic Hot Water (DHW) facility on or off (LED on/off);



5. **Pump program button.**

adjusts the pump to continuous water circulation in the central heating system (LED on), or according to the pump overrun times on the relevant programs (LED off);

### NOTICE

When the pump is switched on continuously it can lead to undesired heating up of the central heating system during the summer.

6. **Mode-button.**

After briefly pressing, a selection of the data chapters can be retrieved.

After pressing for 5 seconds it is possible to enter the code as described in chapter 11.3;

7. **Step-button.**

After briefly pressing, the water pressure can be retrieved and pages per chapter can be retrieved.

After pressing for 5 seconds it switches from the Good-state to technical read out and vice versa;

8. **Reset-button.**

After briefly pressing, for:

- unlocking errors;
- ending the access code;

After pressing for 5 seconds an operating stop is made, for example, for activating the automatic venting program.

Some buttons have other functions. These functions are only active according to the procedure described in chapter 11, adjustment has to be changed or data must be retrieved from the CMS. The other functions are:

- 3. Central Heating program button : + function;
- 4. Hot Water program button: - function;
- 5. Pump program button : store-function, which means that by means of this button a modified setting is confirmed; scrolling in a data chapter.
- 7. Step-button:

## 10 Starting up: Filling and de-aerating the boiler and installation



### CAUTION

#### CAUTION

Observe the following rules of safety:

- All work on the unit must take place in a dry environment.
- Rinnai units may never be in operation without their housing, except in connection with maintenance or adjustments (see Chapter 13 and 14).
- Never allow electrical or electronic components to come into contact with water.



### NOTICE

#### NOTICE

Carry out the following tasks in connection with maintenance, etc. to an already-installed unit:

- Shut down all programs
- Close the gas shut off valve
- Shut off the power at the main power switch
- Close the service valves (supply and return)



### NOTICE

#### NOTICE

Take note of the following when maintenance or adjustments are needed:

- The unit must be able to function during these activities; for this reason, the unit's supply voltage, gas pressure and water pressure must be maintained. Ensure that this is not a source of potential danger during these activities.



### WARNING

**Following maintenance or other activities; always check the installation of all parts through which gas flows (with bubble test using leak-search spray).**

## 10.1 Requirements of the water system

Before filling the heating system, the complete system, including all zones, must be thoroughly cleaned and flushed to remove sediment. Flush until clean water runs free of sediment. Rinnai suggests using an approved system cleaner to flush the system, but not the boiler. Always use Rinnai approved antifreezes. See the list at the end of this chapter. Never use reverse osmosis, D.I., or distilled water for filling the heating system.



### WARNING

**Do not use petroleum-based cleaning or sealing compounds in the boiler system. Damage of seals and gaskets in boiler and system could occur, resulting in property damage.**

The central heating installation needs to be filled with potable water.



### WARNING

**Use only potable water or approved glycol for filling the heating system. When the water hardness of the filling water exceeds > 10.5 gpg (200 mg/L) and the volume of the installation > 20L/kW (5.2 gallons/3,412 BTU) the water has to be treated until below the maximum value of 10.5 gpg (200 mg/L). The pH value of the installation water must be between 6.5 and 8.5.**

Check the pH value using proper equipment or by having the water analyzed by a water treatment company.

If pH differs from above, contact Rinnai engineering for further assistance.



### NOTICE

**Component or product damage as a result of failing to adhere to the water quality requirements will not be covered by the limited warranty.**

### **Freeze protection**

Freeze protection for new or existing systems must use glycol that is specially formulated for this purpose. This includes inhibitors, which prevent the glycol from attacking the metallic components. This should be for multi-metallic components. Make certain to check that the system fluid is correct for the glycol concentration and inhibitor level. The system should be tested at least once a year and as recommended by the producer of the glycol solution. The allowed maximum concentration is 50%.



**NOTICE**

**Use only Rinnai approved inhibitors. See the Rinnai Boiler Applications Manual for an approved list of inhibitors.**



**WARNING**

**Use only inhibited propylene glycol solutions, which are specially formulated for central heating systems. Ethylene glycol is toxic and can attack gaskets and seals used in the boiler and system. Approved glycols are listed in the Rinnai Boiler Applications Manual.**



**NOTICE**

**Additives in the installation water are not permitted.**

**Approved antifreeze:** (max. concentration 50%)  
• Rhomar RhoGard Multi-Metal (AL safe)  
• Noble Noburst AL  
• Sentinel X500  
• Fernox Alphi 11

**Approved system cleaner:**  
• Noble Noburst Hydronic System Cleaner  
• Rhomar Hydro-Solv 9100  
• Fernox F3 Cleaner  
• Sentinel X400



**NOTICE**

**The system cleaners from NoBurst, Rhomar, and Fernox are not to be used in the boiler. The boiler must be closed off (valved off) from the rest of the system or not connected while the cleaners are in the system. The system should then be drained and then thoroughly flushed with clean water to remove all the system cleaner.**

**Approved inhibitors:**  
• Rhomar Pro-tek 922  
• Noble Noburst AL inhibitor  
• Sentinel X100

## **10.2 Filling the heating system**




For filling or topping off the installation you use the filling loop according to the following procedure:

1 Switch on the power supply;

**FILL**

2 The display will show FILL;



3 All functions off (heating , DHW  and pump 



4 Push briefly the 'STEP'-button: P XX (XX = water pressure in PSI);

5 Open the filling loop (Indication on display increases);

**P 22**

6 Fill up slowly to 16 to 18 PSI (1.1 and 1.3 bar);

**STOP**

7 STOP appears on the display;


8 Close the filling loop;

9 De-aerate the complete installation, start at the lowest point;

10 Check the water pressure and if necessary top it off;

11 Close the filling loop;



12 Activate the functions in use (heating , DHW  and/or pump 

**A XX**

13 If A XX appears on the display, wait for 17 minutes;

14 Check the water pressure and if necessary top it up to 16 to 18 PSI (1.1 and 1.3 bar)

15 Close the filling loop;



16 Press the 'STEP'-button;

17 Be sure that the filling loop is closed.

**A XX**

**Good**

**0 XX**

18 After the automatic de-aeration program (A XX) is finished the boiler will return to the Good state or Technical read out.

Check the water pressure regularly and top off the installation when necessary. The typical working pressure of the installation should be between 16 and 18 PSI (1.1 and 1.3 bar) when the system is cold.



### NOTICE

**It can take a while before all air has disappeared from a filled installation. Especially in the first week noises may be heard which indicate the presence of air. The automatic air vent in the boiler will remove the air, which means the water pressure can reduce during this period and therefore topping off with water will have to be done.**

During normal use the following messages can occur with the necessary follow up:

**FILL**

Water pressure is too low (<10 PSI / 0.7 bar), FILL indication remains continuously visible, the boiler is taken out of operation. The installation needs to be topped off.



Water pressure is too low (<12 PSI / 0.8 bar), flashing FILL will alternate with indication of water pressure, boiler power of 50% is possible. The installation needs to be topped off.

**HIGH**

Water pressure is too high (>42 PSI / 3 bar), if HIGH indication remains continuously visible, the boiler is taken out of operation. The installation pressure needs to be decreased by draining water.

## 10.3 Hot water supply (only Q175C)

Apply the water pipe pressure to the tank (open main valve and/or stop valve of the safety group).

Vent the tank and the hot water installation by opening a hot water shut off valve. Leave the tap open for as long as required until all air has disappeared from the tank and the pipes and only water is flowing from the shut off valve.

## FOR YOUR SAFETY READ BEFORE OPERATING



**WARNING: If you do not follow these instructions exactly, a fire or explosion may result causing property damage, personal injury or loss of life.**

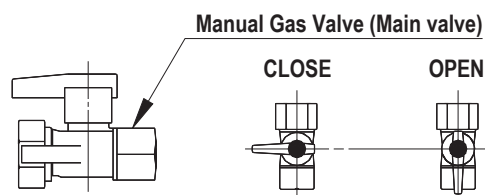
- A. This appliance does not have a pilot. It is equipped with an ignition device which automatically lights the burner. Do **NOT** try to light the burner by hand.
- B. **BEFORE OPERATING** smell all around the appliance area for gas. Be sure to smell next to the floor because some gas is heavier than air and will settle on the floor.

### WHAT TO DO IF YOU SMELL GAS


- Do **NOT** try to light any appliance.
  - Do **NOT** touch any electrical switch.
  - Do **NOT** use any phone in your building.
  - Immediately call your gas supplier from a neighbor's phone. Follow the gas supplier's instructions.
  - If you cannot reach your gas supplier, call the fire department.
- C. Use only your hand to push in or turn the gas control knob. Never use tools. If the knob will not push in or turn by hand, don't try to repair it, call a licensed professional. Force or attempted repair may result in a fire or explosion.
- D. Do not use this appliance if any parts have been under water. Immediately call a licensed professional to inspect the appliance and to replace any part of the control system and any gas control which has been under water.

## OPERATING INSTRUCTIONS

1. **STOP!** Read the safety information above this label.
2. Turn off all electrical power of the appliance.
3. Set the thermostat or other operating control to the lowest setting.
4. This appliance is equipped with an ignition device which automatically lights the burner. Do **NOT** try to light the burner by hand.
5. Close main gas shut off valve. 
6. Wait (5) minutes to clear out any gas. Then smell for gas. Including near the floor. If you smell gas, **STOP!** Follow "B" in the safety information above on this label. If you don't smell gas, go to the next step.
7. Open main shut off valve. 
8. Set the thermostat or other operation control to desired setting.
9. Turn on all electric power to the appliance.
10. If the appliance will not operate, follow the instructions "To Turn Off Gas To Appliance" and call your service technician or gas supplier.



## TO TURN OFF GAS TO APPLIANCE

1. Turn off all electric power to the appliance if service is to be performed.
2. Set the thermostat or other operating control to the lowest setting.
3. Close main gas shut off valve. 

8U.34.01.01 / 11.12

## 11 Adjustments

When the boiler is installed the software has already been pre-programmed at the factory. All software adjustments of the boiler control are already pre-programmed for a heating system with radiators/convectors with a supply temperature of 176°F. The adjustments are described in the Parameter chapter on the following page.

In certain cases parameters have to be altered in case of :

- Lower supply temperature
- High altitude/long vent length
- Minimum supply temperature



### CAUTION

**The venting / altitude calculation must always be performed during commissioning of the boiler.**

Read through the Parameter chapter to adjust the boiler to its installation.  
Contact Rinnai in case of doubt.



### NOTICE

**Only licensed professionals who are trained for servicing these boilers are permitted to make alterations in the controller to calibrate the boiler to the installation.**

## 11.1 Altering adjustments

**STEP 1 Press the Mode-button for 5 seconds.**

*The display shows COdE followed by an arbitrary number;*

**STEP 2 Press by means of the + or the - button until the code C123 is shown;**

**STEP 3 Press the STORE-button to confirm the code (code blinks 1 x).**

*Now you have access to the installer level. There are 4 chapters:*

- **PARA** Parameters
- **INFO** Information chapter (no adjustments possible)
- **SERV** Service chapter
- **ERR** Error-chapter (no adjustments possible)

*The content of the chapters is described on the following pages.*

**STEP 4 Press briefly the MODE-button to select one of the 4 chapters, i.e. PARA;**

**STEP 5 Press briefly and release the STEP-button to select a Parameter**  
*(parameter visible on the left, value on the right) ;*

**STEP 6 Alter the value, if necessary/possible, by means of the + or the - button**

**STEP 7 Press briefly on the STORE-button to confirm the alteration.**

*When you have to change more values, repeat from step 5.*

**STEP 8 Press once or more on the MODE-button until StBY or Good is shown:**

*After a few seconds the text StBY will be replaced by the technical read-out or Good-state (Depending from the position the access code is entered)*

*When you want to return from an arbitrary position to the original read out press once or more on the MODE-button until StBY is shown.*



### NOTICE

**If no single button is used within 20 minutes the display will return automatically to its original read-out (Good state or technical read out)**

Parameter Mode			
PARA	FACTORY	DESCRIPTION	RANGE
1	176°F	maximum supply temperature CH	68 - 176°F
2*	00	type of CH installation:	00 - 04
		No pre-selection made.	00
		Radiators, air heating, or convectors:	
		T max. supply 176°F K factor heating curve 2.3; gradient 10°F/min; gear differential 10°F	
			01 DO NOT USE
		radiators with large surface areas or underfloor heating as additional heating:	02
		T max. supply 158°F K factor heating curve 1.8; gradient 10°F/min; gear differential 10°F	
		under floor heating with radiators as additional heating:	03
		T max. supply 140°F; K factor heating curve 1.5; gradient 8°F/min; gear differential 8°F	
		full under floor heating:	04
		T max. supply 122°F; K factor heating curve 1.0; gradient 6°F/min; gear differential 6°F	
3	max.	maximum power CH in kW (.. x3415 = .. BTU/hr)	min-max
4*	00	control principal with on / off thermostat:	
		100 % on / off thermostat	00
		constant water circulation 22&23 closed contact day curve operation,	
		open contact night curve operation	01
5*	2.3	heating curve K-factor (see also heating curve graph)	0.2 - 3.5
6*	1.4	heating curve exponent (see also heating curve graph)	1.1 - 1.4
7*	14°F	heating curve climate zone (see also heating curve graph)	-4 - 32°F
10*	0°F	fine adjustment heating curve day temperature	-8 to 10°F
11*	0°F	fine adjustment heating curve night temperature	-8 to 10°F
14	10°F/min.	gradient speed °F/min.	0 - 28°F/min.
15*	00	Booster after night decrease*:	
		no	00
		yes	01
23	26°F	Frost Temperature	-4 to 50°F
27	32°F	Minimum T-set CH	32 - 158°F
31**	146°F (154°F)	DHW tank temperature with external tank sensor	104 - 176°F
36	01	Type of three way valve DHW tank	
		VC 2010 / VC 8010	00
		VC 6940	01
43	max.	Maximum power DHW in kW (.. x3415 = .. BTU/hr)	min-max
49	100%	Maximum pump capacity heating	40-100 %
73	0	Altitude and venting CFT. See chapter 6.7.7	0 - 100
89	00	Address of boiler in cascade	
		No function	-01
		Bus thermostat	00
		Cascade boiler 2 to 8	01 - 07
90	01	Display reading	
		°C and Bar	00
		°F and PSI	01

Info Mode			
INFO	FACTORY	DESCRIPTION	RANGE
1	°F	supply water temperature T1	
4	°F	return water temperature T2	
5	°F	DHW temperature T3	
7	°F	outdoor temperature T4	
8	°F	flue gas temperature T5 (optional sensor)	
16	%	actual power in %	
17	kW	actual power in kW (.. x3415 = .. BTU/hr)	
18	kW	actual load in kW (.. x3415 = .. BTU/hr)	
20		indication bus communication	
21	GJ	consumption total in GJ (.. x 33 = .. m3)	
22	GJ	consumption CH in GJ (.. x 33 = .. m3)	
23	GJ	consumption DHW in GJ (.. x 33 = .. m3)	
24	h	total number of burner run hours	
25	h	number of burner run hours CH	
26	h	number of burner run hours DHW	
32	h	total number of hours counter	
37	h	total number of run hours pump CH and DHW	
46	h	within how many hours is service required	

Service Mode			
SERV	VALUE	DESCRIPTION	RANGE
1	OFF	boiler in operation with burner function on	OFF - max.
2	OFF	fan adjustable and burner off	OFF - max.
3	OFF	pump adjustable with burner on	OFF - max.
4	OFF	showroom position ON = active and OFF = non active	ON - OFF

Error Mode		
ERRO	VALUE	DESCRIPTION
Err.L - Err.5		
1		Last saved error until 5 last previous errors error code
2		operation status boiler
3	°F	supply water temperature T1
4	°F	return water temperature T2
5	kW	load (.. x3415 = .. BTU/hr)
6	%	pump capacity

Parameter-, Info-, Service- and Error-chapters

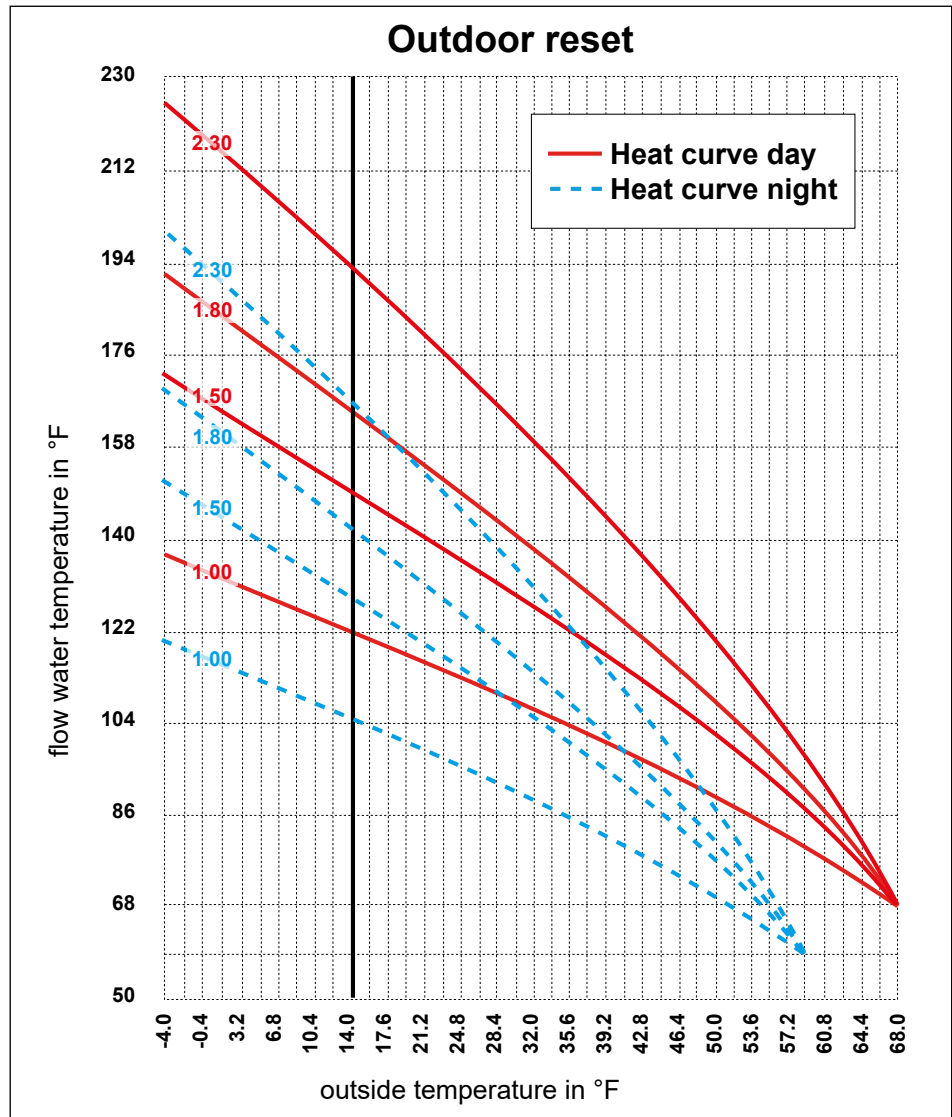
Table 12



**NOTICE**

\* Most of the data in this table can be requested by the RS100. Most of the adjustments which are stated in this table are unnecessary when in combination with the Rinnai RS100 thermostat and will be taken care of by the RS100 itself and do not have to be adjusted. For further information regarding to the RS100 thermostat refer to the Rinnai RS100 installation manual.

\*\* Not available on Q175C.

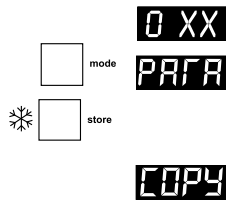


heating line adjustments Parameter Step 6 and 7

graph 2

## 11.2 Activating factory settings (green button function)

To activate the factory settings again please follow the next procedure (Note: all altered adjustments will be set back to the original factory settings that are accessible in the current service level the boiler is in either user or 123):

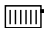




- Select, when necessary, the technical read out;
- Select with the MODE-button chapter PARA;
- Press the STORE-button.

The word "Copy" will appear and factory settings are active again.

## 12 Isolating the boiler

Some situations require turning the entire boiler off.

By switching off the three buttons with the LED's for central heating, hot water and pump program ( ,  or  ), the boiler is switched off. Do not shut off the power of the boiler, which means the circulation pump and the three-way valve are activated once every 24 hours in order to prevent these parts from seizing up.



**CAUTION**

**In the event of freezing danger with an isolated boiler it is advisable to drain the boiler and/or the installation.**

## 13 Commissioning

### NOTICE

Work on the boiler must be carried out by a licensed professional, using correctly calibrated instruments with current test certification.

These installation instructions are intended for licensed professionals, who have the necessary knowledge and are approved for working on heating and gas systems.

Before the boiler is fired, ensure that the boiler and the system are well de-aerated and free of air. Purge the gas line between the gas meter and the boiler.

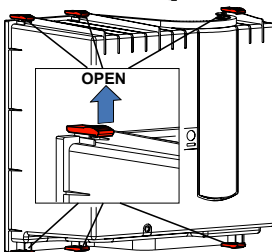
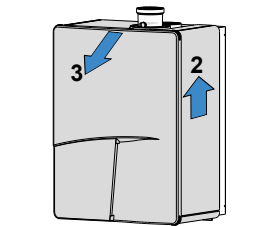
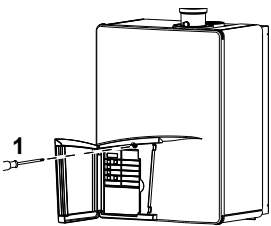
### WARNING

Failure to properly commission the boiler as described in section 13 may result unreliable burner operation, reduced component life, and unsafe boiler operation.

### NOTICE

The boiler and its individual shut off valve must be disconnected from the gas supply piping system during any pressure testing of that system at test pressures in excess of 1/2 PSI (3.5kPa).

To commission the boiler the casing has to be removed. The casing is locked with a screw behind the door on the front (figure 30) and the top of the casing is hooked behind a locking edge. After removing this screw the casing must be lifted at the bottom by which means it is released from the locking edge. Then the casing can be removed forward.



Removing casing figure 30

Behind the casing you see the transparent air box.

Remove this airbox only in case for service or maintenance. See figure 30.

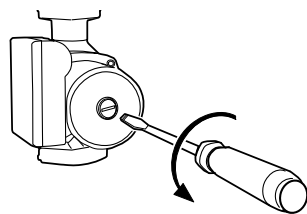
The boiler settings, such as burner pressure and adjustment of the air quantity are unnecessary in most cases, due to the fact that the boiler operates with a zero pressure control. This means the correct gas quantity is controlled by the suction operation of the fan. The fine adjustment of the zero pressure, which is carried out at the factory is once-only, which means that adjusting of this value is unnecessary. Only in case of replacing of the gas valve, venturi and/or fan will the zero pressure adjustment have to be checked and, if necessary, adjusted to the right value.

### WARNING

The venturi must always be checked and adjusted when it is out of range see section 13.3 on O<sub>2</sub> adjustment.

### DANGER

Always check the installation of all parts through which gas flows (by bubble test using leak-search spray).



Pump commissioning figure 30a

Pump commissioning procedure should be followed before the boiler is fired for the first time:

1. Remove the vent pump screw
2. Use a small flat head screw driver to ensure the impeller spins freely.
3. When the impeller spins freely and water exits though the vent port the pump is ready for operation.
4. Replace the vent screw

During the commissioning of the boiler the Rinnai Installation, Commissioning, and Service card must be filled out.

## 13.1 Testing for gas leaks

Prior to start-up of the boiler you must check the external tightness of the gas supply valve and confirm this in the start-up report.



**WARNING**

- Before leak testing the boiler, ensure all parts of the boiler such as electronics and wiring are properly covered and protected from the leak testing agent.
- Do not spray the leak testing agent onto cables, plugs, electrical connection lines or electronic circuit boards. Do not allow it to drip onto them either.

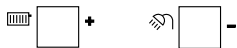
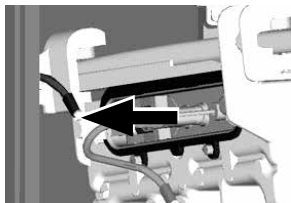
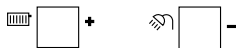


**DANGER**

Leaks may be caused to pipes and screw connections during commissioning and maintenance activities.

- Carry out a proper leak test.
- Only use approved leak detection agents for leak detection.
- Disconnect the heating system from the power supply.
- Check the exterior tightness of new conduit sections up to and including the direct sealing point on the gas burner fitting. The maximum test pressure allowed on the input of the gas burner fitting is 14 inch W.C. (35mbar).

## 13.2 Testing the Ignition Safety shut off device



- Switch off system using the Central Heating button and the DHW button

- Disconnect the plug and socket connection of the ionization cable.



- Switch on the system using the Central Heating button and the DHW button.

- Press the MODE-button for 5 seconds.



- The display will show COdE followed by an arbitrary number;



- Select by means of the + or the - button the code C123;



- Press the Store-button to confirm the code (code blinks 1 x);



- Press the MODE-button until SERV is shown;



- Press the STEP-button once until 1 is shown; alternately 1 and OFF will be shown.

- Press the + button once; Check if the boiler does one start-up attempt and four restart attempts. After the last start-up attempt, the boiler will lock out. The gas valve is shut off. The E02 code is blinking in the display.



- Connect the plug and socket connection of the ionization cable.



- Press the reset button.

- Check if the boiler starts-up.



**CAUTION**

Do not touch the inside of the ignition cable while it is disconnected during start up of the boiler.

## 13.3 Checking the O<sub>2</sub> at full load (Step 1/3)



**NOTICE**

The O<sub>2</sub> percentage setting is required to be checked at commissioning, maintenance and faults and adjusted if needed.



**WARNING**

The O<sub>2</sub> percentage is required to be checked and adjusted after a conversion from NG to LP or from LP to NG. This process must be done with a calibrated combustion analyzer that has been set to the correct gas type.

The O<sub>2</sub> check consists of 2 steps or, if necessary, 3 steps:

- Step 1: Check on full load**
- Step 2: Check on low load**
- Step 3: Adjustment (if necessary).**

### Step 1: O<sub>2</sub> check on full load

The O<sub>2</sub> setting is preset at the factory, for all equipment units. A calibrated O<sub>2</sub> check must be carried out during commissioning.

- Put the boiler into operation and take care that it can deliver its heat.

### Set the full load

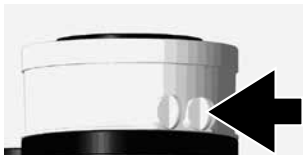
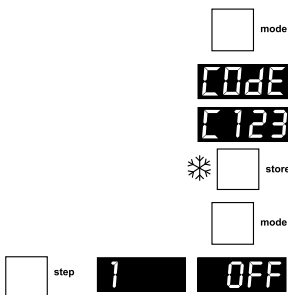
You can set the full load of the boiler as follows:

- Press the MODE-button for 5 seconds.
- The display will show COdE followed by an arbitrary number;
- Select by means of the + or the - button the code C123;
- Press the Store-button to confirm the code (code blinks 1 x);
- Press the MODE-button until SERV is shown;
- Press the STEP-button once until 1 is shown; alternately 1 and OFF will be shown.
- Calibrate the O<sub>2</sub> meter ;
- Place the probe of the O<sub>2</sub> meter into the check point (see fig. 30.1);
- Press the + button until the maximum value (in kW) is achieved;  
The boiler will burn on full load (value on display in kW)  
value in BTU/hr = x3415

- Check whether the O<sub>2</sub> values that are listed below correspond to the measured value.

After this setting has been made, once more test the O<sub>2</sub> value at low load (see Step 2 on page 62). If there are any changes in the result, then these must be corrected (see Step 3 on page 63)

**Choose the right O<sub>2</sub> value according the kind of gas (Natural Gas or Propane Gas). Wrong adjustment may result causing property damage, personal injury or death.**



checkpoint O<sub>2</sub> figure 31.1



**NOTICE**

O <sub>2</sub> check on full load (Step 1)		
Full load	Natural Gas	Propane Gas
O <sub>2</sub>	Nominal 4.7%	Nominal 5.1%
	Minimum 3.6%, maximum 5.5%	Minimum 4.1%, maximum 5.8%

Values valid with closed air box.

## 13.3.1 Checking the O<sub>2</sub> at low load (Step 2/3)

### Step 2: O<sub>2</sub> check on low load

#### Setting the low load

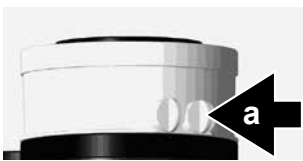
The low load of the boiler can be set by you as follows:

- Press the - button until the minimum value (in kW) is achieved;  
The boiler will burn on low load (value on display in kW)  
value in BTU/hr = x3415

#### NOTICE

**When adjusting from max. to min. load it is advisable to stop at medium load to allow the boiler to stabilize. Adjusting quickly from max. to min. could force the boiler into an error state.**

- Use the measuring tool to carry out a O<sub>2</sub> check. The detected values must lie in the measuring range shown below.



checkpoint O<sub>2</sub> figure 31.2

The O<sub>2</sub> value at low load must lie higher than the O<sub>2</sub> value at full load. The measuring procedure must be carried out, until a constant measuring result is achieved. Please take up contact with Rinnai, if the values should lie outside of the applicable tolerances.

#### Switching off

- Press the - button until **OFF** is shown (keep button pressed).  
With this the procedure has ended.

#### NOTICE

**Choose the right O<sub>2</sub> value according the kind of gas (Natural Gas or Propane Gas). Wrong adjustment may result causing property damage, personal injury or death.**

O <sub>2</sub> check on low load (Step 2)		
Low load	Natural Gas	Propane Gas
O <sub>2</sub>	Minimal 0.5% higher than measured on full load	Minimal 0.2% higher than measured on full load
	Maximum 7.5%	Maximum 7.3%

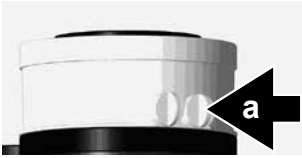
Values are valid with closed cover/air box.

## 13.3.2 Settings on the gas valve (Step 3/3)

### Step 3: Adjustment on the gas valve.

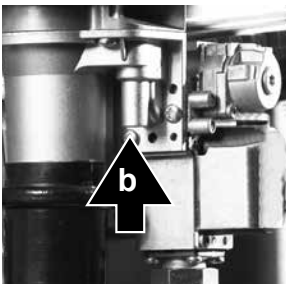
#### NOTICE

Only if the measured values are outside the range of the table on the previous page.



checkpoint O<sub>2</sub> figure 31.3

- Open the boiler as described on page 60.
- Remove the black cover of the gas valve by unscrewing the sealed screw.
- Set the boiler on full load (see Step 1)



adjustment screw O<sub>2</sub> fig. 32

- The O<sub>2</sub> values are set by using an Allen key (4 mm), or a large flat head screwdriver, on the screw "b".

Please observe the following rotating direction:

- Clockwise means more O<sub>2</sub>
- Counterclockwise means less O<sub>2</sub>

#### NOTICE

After this setting has been made, once more test the O<sub>2</sub> value at full load and low load. See Step 1 and 2.

- Replace the black cover on the gas valve and secure it with the screw.

#### NOTICE

For high altitude installations, elevations between 2000 ft and 4500 ft (600 m and 1350 m), in Canadian area it is required to fill out the High Altitude Label.

Check the appropriate model and input the recommended O <sub>2</sub> level indicated on the Installation Setting procedure / :	
Vérifier le modèle approprié et avoir entré le recommandé O <sub>2</sub> niveau indiqué sur la Procédure de Cadre de Installation	
Model	E75C E110C Q85S Q130S Q175S Q205S Q175C
Altitude	2001 - 4500 feet (610 - 1395 m)
O <sub>2</sub>	
This unit has been converted as per CGA 2.17-M91 Standard (only valid in Canada). Cette unité a été convertie selon la norme de CGA 2.17-M91 - seulement valide au Canada.	
Converted by/Converti par:	
Date:	Gas Type/Type de Gaz:

High Altitude Label (example)

Place the filled out High Altitude Label on the controller supporting frame, on the left side of the rating plate.

Ending the O<sub>2</sub> measuring procedure:

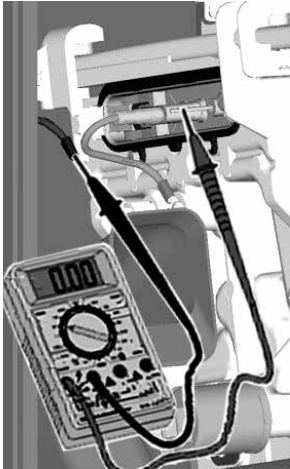
- Press the - button until **OFF** is shown (keep button pressed).  
With this the procedure has ended.

- Replace the black cover on the gas valve and secure it with the screw.

Adjustment of the gas valve in case the measured values lies out of range of the values on full load (Step 3)		
Full load	Natural Gas	Propane Gas
O <sub>2</sub>	4.7%	5.1%

Values valid with closed air box.

## 13.4 Measuring the ionization current



Ionization test figure 33



- Switch off the system using the Central Heating button and the DHW button
- Disconnect the plug and the socket connection on the probe and connect the measuring device in series. See figure 33. Select the  $\mu\text{A}$  direct current range on the measuring device. The measuring device must have a resolution of at least  $1 \mu\text{A}$ .

- Switch on the system using the Central Heating button and the DHW button.

- Press the MODE-button for 5 seconds.

- The display will show COdE followed by an arbitrary number;

- Select by means of the + or the - button the code C123;

- Press the Store-button to confirm the code (code blinks 1 x);

- Press the MODE-button until SERV is shown;

- Press the STEP-button once until 1 is shown; alternately 1 and OFF will be shown.

- Press the + button until the maximum value (in kW) is achieved;  
The boiler will burn on full load (value on display in kW)  
value in BTU/hr = x3415

- Measure the ionization. When the boiler is in full load the ionization current must be  $> 4 \mu\text{A}$  and write down this value in the log book.

- Press the - button until OFF is shown (keep button pressed).



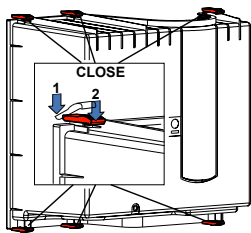
- Switch off the system using the Central Heating button and the DHW button

- Disconnect the measuring device and restore the plug and the socket connection on the probe.



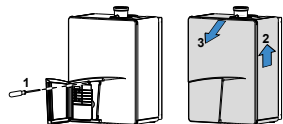
- Switch on the system using the Central Heating button and the DHW button.

## 13.5 Installing the casing



Installing air box figure 34

- Install the airbox and close all snap locks. See figure 34;



Installing casing figure 35

- Install the metal casing on the boiler;
- Lock the casing by using the screw behind the door. See figure 35.

## 14 Maintenance



### NOTICE

**Maintenance or changes to the boiler may only be carried out by a licensed professional.**

To protect yourself from harm, before performing maintenance:

- Turn off the electrical power supply by switching off the boiler at the mains power switch or by turning off the electricity at the circuit breaker.
- Turn off the gas at the manual gas valve, usually located below the boiler.
- Turn off the incoming water supply. This can be done at the isolation valve usually located below the boiler or by turning off the water supply to the building.

### 14.1 Periodic examination of venting systems and boiler

The inspection of the boiler and venting system should be done every 2 years or 4000 hours and full maintenance every 4 years or 8000 hours of operation, whichever occurs first. When doing this the circumstances of the boiler's location must be taken into account. From this one can determine whether to deviate from this advice.



### NOTICE

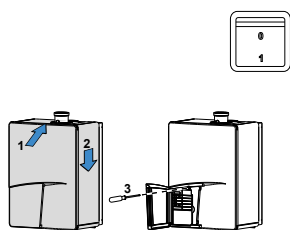
**Please contact Rinnai for further guidance on the frequency and service requirements. Contact details can be found on the back page of this manual.**

### 14.2 Inspection

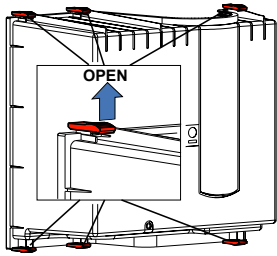
Preparing the boiler for inspection

To carry out the inspection and maintenance activities please follow the next procedure:

- Switch off the power supply;
- Shut off the gas;
- Remove the screw behind the door on the front of the casing (figure 36);
- Lift the casing and remove it towards the front;
- Valve off the boiler from the system using the boiler isolation valves in the plumbing kit.



Removing casing figure 36



Opening air box figure 37

#### The air box

- Remove the transparent air box (figure 37);
- Clean the box with a cloth with a simple (non-abrasive) cleaning agent;

### 14.2.1 Visual inspection for general signs of corrosion

- Check all gas and water pipes for signs of corrosion.
- Replace any pipes that are corroded.

### 14.2.2 Measuring the ionization current

See subsection 13.5 "Measuring the ionization current".

### 14.2.3 Measuring the inlet gas pressure

See subsection 6.4.1 and .2 "Gas connection with natural gas" and "Gas connection with propane".

### 14.2.4 Testing for gas leaks

See subsection 13.1 "Testing for gas leaks".

### 14.2.5 Carrying out a pressure test of the heating system

See chapter 10.2 "Filling the heating system".

### 14.2.6 Checking venting systems

Check the following points:

- Is the prescribed combustion air/flue system used?
- Have the instructions for configuring the flue system as specified in the relevant Installation instruction for the flue gas system been observed?
- Check air intake and/or air filter and flue gas for obstruction, pollution or damage.

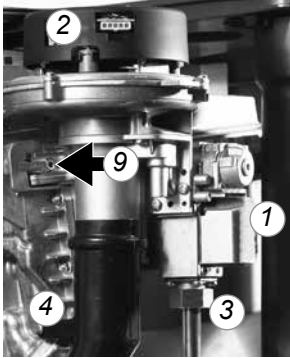
**When an air filter is used the air filter must be replaced yearly on boilers operating in normal circumstances.**

**The conditions (eg. supply air quality) in which the boiler is installed should be taken into account. This will show whether the frequency of replacement should be reduced or increased. If in doubt, contact RINNAI.**



## 14.3 Maintenance activities

### NOTICE



fan unit and gas valve  
figure 38

### NOTICE

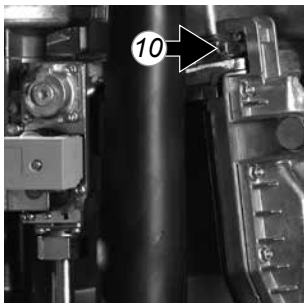
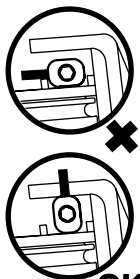


figure 39

### NOTICE

### DANGER



Clamping rods  
figure 40

#### The fan unit and burner cassette (figure 38 to 4) (every 4 year maintenance)

- Remove the electrical connection plug from the gas valve (1) and fan motor (2);
- Loosen the nut (3) of the gas pipe under the gas valve;
- **Replace the gasket with a new one;**
- Loosen the front cross head screw (4) of the black plastic silencer;
- After this turn the two clamping rods (9 and 10) ¼ turn and remove them by pulling them forward. **Note the correct turning direction (red indicator, fig. 40);**
- Slightly lift the fan unit and remove it towards the front of the heat exchanger;
- Remove the burner cassette out of the fan unit;
- Check the burner cassette for wear, pollution and possible cracks. Clean the burner cassette with a soft brush and vacuum cleaner.

#### **If burners are cracked replace the complete burner cassette;**

- **Replace the gaskets between burner and fan unit and the gasket between fan unit and heat exchanger;**
- Check the venturi and the gas-air distribution plate for pollution and clean this part, if necessary with a soft brush and vacuum cleaner. If the air box contains a lot of dirt it is plausible that the fan itself is dirty as well. To clean this, the fan has to be removed from the hood and the venturi. Clean the fan with a soft brush and a vacuum cleaner. Replace the gasket and ensure that all gaskets of the fan parts are mounted correctly.

#### Heat exchanger (every 4 year maintenance)

- Check the heat exchanger for contamination. Clean this if necessary with a soft brush and a vacuum cleaner. Prevent debris from falling down into the heat exchanger.

#### **Flushing the heat exchanger from the top down is not permitted**

Refitting of the components is done in reverse order.

**Make sure that during refitting the clamping rods are put in the right position. They should be turned vertical.**

**If the boiler should activate with clamping rods in the wrong position it will cause property damage, personal injury or loss of life.**

#### Ignition electrode (every 4 year maintenance)

This can be checked by measuring the ionization current. The minimum ionization current has to be higher than 4µA on full load.

**If the inspection glass is damaged the complete electrode must be replaced.**

Replace the ignition assembly after every 4 year, whichever occurs first.

Replacement goes as follows:

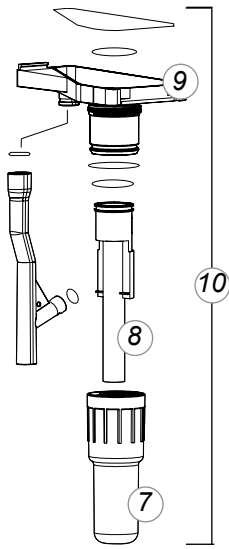
- Remove the electrical connections of the electrode;
- Press the clips on both sides of the electrode to both sides and remove the complete electrode;
- Remove and replace the gasket;

Refitting of the components is done in reverse order.

Condensate trap and condensate tray (figure 41-43) (2 and 4 year maintenance)

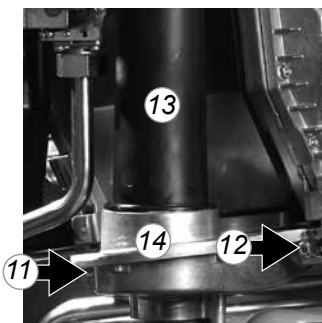
**Step 1: Condensate trap**

- First remove the condensation cup (7);  
Check this for impurities. If there is not a lot of impurities it is not necessary to clean the condensate tray (Go to Step 3). If there is a lot of impurities in the cup it is necessary to remove and clean the condensate tray according Step 2;
- Remove the inner trap pipe (8) which remains in the condensate tray;
- Check the O-rings of the cup as well as those from the pipe and replace if necessary;
- Clean both parts by flushing with clean water;
- Grease the O-rings again with acid free O-ring grease to make fitting easier;
- If there is a leak at the condensation cup (7) or tray (9) the complete condensate trap unit (10) has to be replaced by # 809000054;



**Step 2: Condensate tray**

- Remove the plug from the flue gas sensor if present;
- Turn the two short clamping rods (11 and 12) ¼ turn and remove them by pulling them forward; **Note the correct turning direction (red indicator, fig. 41);**
- Lift the exhaust pipe (13) out of the condensate tray (14);
- Press the condensate tray (14) carefully downwards and remove it by pulling it forward;
- Replace the gasket between condensate tray and heat exchanger with a new one;
- Clean the condensate tray with water and a hard brush;
- Check the condensate tray for leaks.



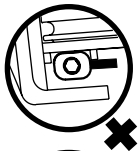
**Step 3: Refitting is done in reverse order.**

Note that all gaskets seal completely.

**Make sure that during refitting the clamping rods are put in the right position. They should be turned vertical.**

**If the boiler should activate with clamping rods in the wrong position it will cause property damage, personal injury or loss of life.**

 **DANGER**



Clamping rods figure 43

Put the boiler into operation and check the O<sub>2</sub> (see chapter 13.3).

**If replacement of new gaskets and burner mentioned in this chapter is not done within the service interval subscribed by Rinnai the boiler can be damaged and may cause property damage, personal injury or loss of life.**

**Use only original spare parts supplied by Rinnai. If non approved parts are used the boiler can be damaged and may cause property damage, personal injury or loss of life. Use of non-Rinnai parts will result in the voiding of the limited warranty.**

**Do not use substitute materials. Use only parts certified with the appliance.**

 **DANGER**

 **WARNING**

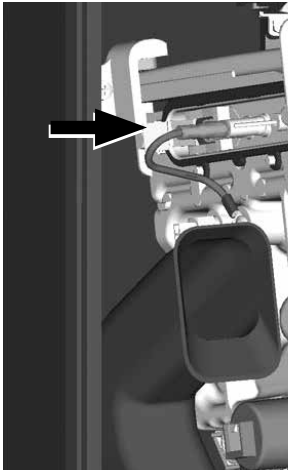
 **WARNING**

**Visual inspection of the flame (2 and 4 year maintenance)**

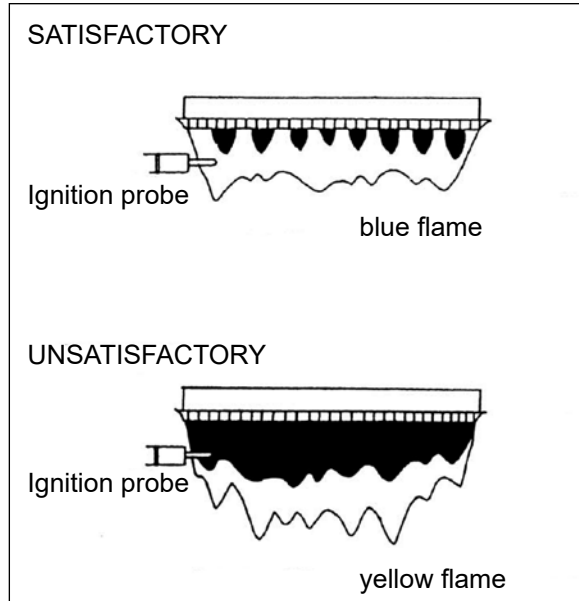
The burner must flame evenly over the entire surface when operating correctly. The flame must burn with a clear, blue, stable flame.

Check the flame through the inspection glass in the ignition probe (fig. 44).

The flame pattern should be as shown in the figures below.

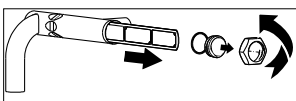


Inspection glass figure 44



Further checks:

- Inspect the pressure relief valve
- Clean the water filter in the return pipe
- Check the pH of the water or glycol/water mixture.



Water filter figure 44a



**The combustion must be checked and adjusted if required at both the 2 year/4000 hour and 4 year/8000 hour service intervals with a properly working combustion analyzer.**

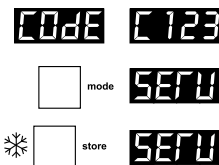
Verify proper operation after servicing. Always reset the service interval counter after full maintenance interval (every 4 years or 8000 hours of operation).

**14.3.1 Reset service interval counter**

At 8000 hours of use, "SERVICE" will scroll across the display. "Good" will display as well alternatively.

To reset the 8000 hour service notification:

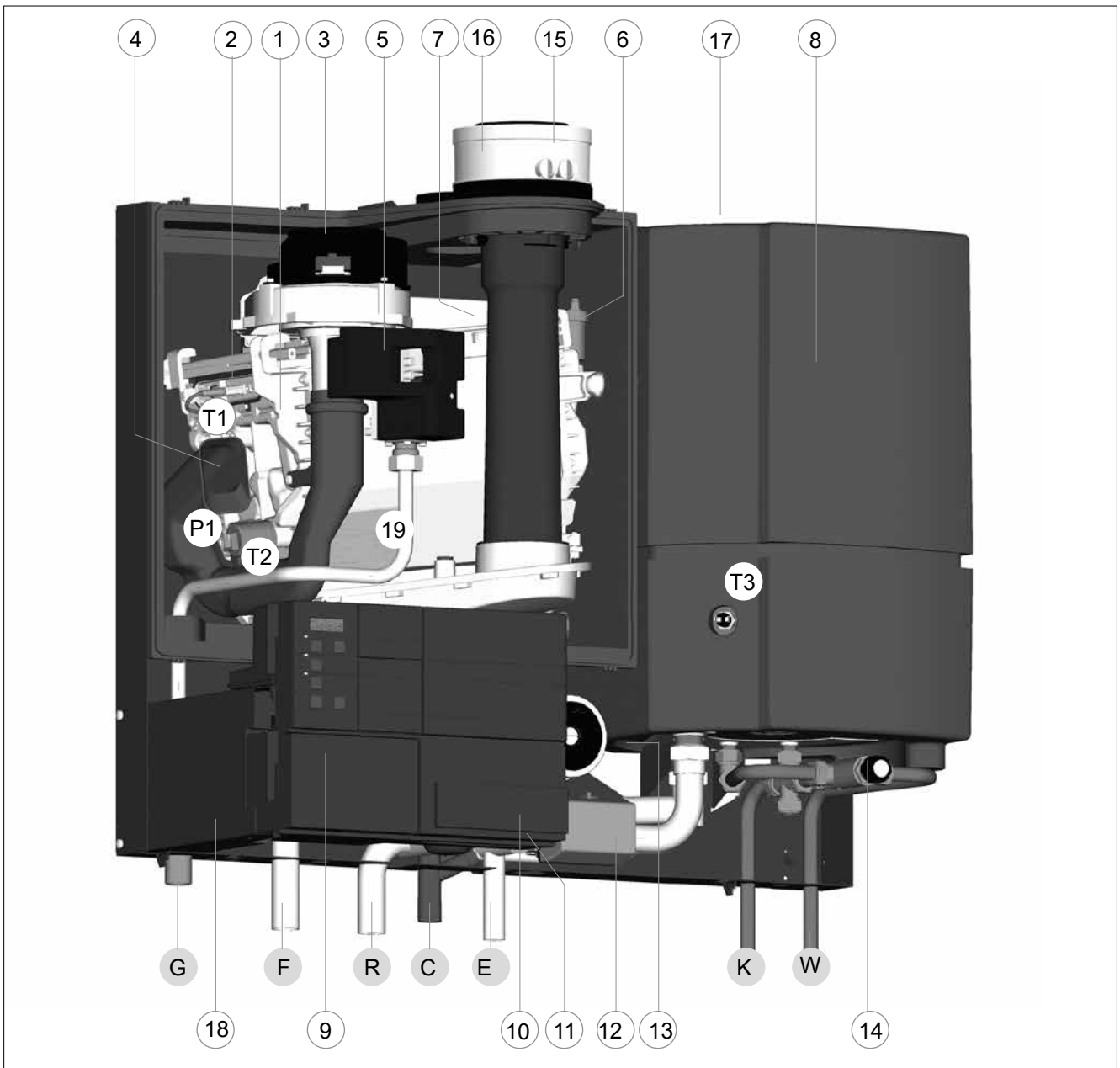
- Enter the 1st Tier Settings: 123 Code
- Briefly press "Mode" again until the Service Chapter is displayed (SERV)
- Hold the "Store" button until SERV flashes once—the service notification will no longer show during normal operation and the countdown to service will reset to 8000.



**14.4 Limited warranty**

For warranty conditions refer to the warranty supplied with the boiler.

## 15 Parts of the boiler



Rinnai Q

figure 45

- |                           |                                      |                                   |
|---------------------------|--------------------------------------|-----------------------------------|
| 1 heat exchanger          | 9 operating panel                    | 16 combustion air supply          |
| 2 ignition unit           | 10 Control Tower (CMS)               | 17 air box                        |
| 3 fan unit                | 11 water filter return CH            | 18 CSA Data Plate (serial number) |
| 4 air inlet damper        | 12 three-way valve (Q175C)           | 19 ASME / NB / CRN data plate     |
| 5 gas valve               | 13 circulation pump                  |                                   |
| 6 automatic de-aerator    | 14 thermostatic mixing valve (Q175C) |                                   |
| 7 ceramic burner cassette | 15 exhaust                           |                                   |
| 8 DHW tank (Q175C)        |                                      |                                   |

T1 flow sensor  
 T2 return sensor  
 T3 DHW tank sensor (Q175C)  
 P1 water pressure sensor

G gas pipe  
 F flow connection central heating  
 R return connection central heating  
 C condensate pipe  
 E expansion tank pipe (Q175C)

K cold water pipe (Q175C)  
 W hot water pipe (Q175C)

## 16.1 Error indication (short reference)

A detected error is indicated on the display by means of blocking or error messages. A distinction should be made between these two messages due to the fact that blocking can be of a temporary nature, however, error messages are fixed lockings. The control will try its utmost to prevent locking and will temporarily switch off the unit by blocking it. The following is a list of some messages.

Blocks **bL** with a number in the last 2 positions.

- bL01** Block 01:  
External safety contact cut off
- bL05** Block 05:  
Outdoor sensor not connected
- bL60** Block 60:  
Incorrect parameter setting of the minimum or maximum power.
- bL67** Block 67:  
A  $\Delta T$  has been detected between flow and return sensor whereas the burner is not in operation.  
After the  $\Delta T$  has disappeared the block will clear.
- bL85** Block 85:  
The control has not detected a water flow. The venting cycle is started.  
If during this cycle water flow is detected, the venting cycle is ended and the burner is released.

Error **E** with a number in the last two positions.

- E 00** Error 00: Poor flame-forming
- E 02** Error 02: no flame-forming
- E 04** Error 04: adjustment or error for voltage interruption
- E 05** Error 05: adjustment
- E 12** Error 12: high limit stat
- E 18** Error 18: maximum flow temperature exceeded
- E 19** Error 19: maximum return temperature exceeded
- E 28** Error 28: number of revolutions not reported back from fan
- E 69** Error 69: no or incorrect display
- FUSE** FUSE: 24V fuse defective



### NOTICE

The following pages describes more detailed follow up instructions for solving blockings, errors and practical circumstances. These instructions are only for licensed professional.

## 16.2 Blocks

An error, which has been detected, is indicated on the display by a block message. Blocks can be temporary in nature. The controller will do everything possible to prevent a system lock and temporarily switching off the boiler as a result of a block. Please see below for a summary of blocks.

Blocks **bL** with a figure on the last 2 characters.

Code	Description	Solution
<b>bL01</b>	External safety contact open	Rectify error as a result of which by determining contact is open. Or repair interconnection between 24/25
<b>bL05</b>	Outdoor sensor contact open (not connected)	Rectify error as a result of which by determining contact is open or outdoor sensor is not connected. Connect outdoor sensor or repair wiring (position 18/19) or replace outdoor sensor.
<b>bL11</b>	Maximum average $\Delta T$ of supply and return sensor for central heating is repeatedly exceeded. Operation is normally possible for the hot water supply during the block. The pump continues to operate at minimum capacity during the block.	Check flow through the installation. See the installation instructions for the hydraulic connections to the boiler (3-Way-Thermostatic valve, Plumbing Kit installed?) Possible causes: (radiator) shut-off valves closed or blocked water filter Activated room sensor (RS101) in non leading room (closed thermostatic radiator valves?) Check pump height. Check minimum and maximum Temperature difference in Parameter Step 46 + 47.
<b>bL12</b>	Maximum average $\Delta T$ of supply and return sensor for hot water is repeatedly exceeded. Operation is normally possible for the central heating installation during the block. The pump continues to operate at minimum capacity during the block.	Check flow through the boiler and DHW tank See the installation instructions for the hydraulic connections to the boiler Possible causes: (radiator) shut-off valves closed or blocked water filter resistance (coil) in tank to high (see pump height) Check 3-way-valve on function and pollution.
<b>bL60</b>	Incorrect parameter setting for the minimum or maximum power	Call Rinnai
<b>bL67</b>	A temperature difference has been detected between the supply and return sensor whilst the burner is not in operation. After the average $\Delta T$ has disappeared, the block will disappear.	Check the supply and return sensor for the resistance value and replace the defective sensor Check the installation for any external heat source and rectify this
<b>bL80</b>	flue sensor temperature too high	Check vent system
<b>bL81</b>	flue sensor or thermostat contact open	Call Rinnai
<b>bL82</b>	flue sensor or thermostat contact closed	Call Rinnai
<b>bL84</b>	flue gas thermostat contact open	Check vent system or check parameter 84 for default
<b>bL85</b>	no water flow can be detected through the controller. De-aeration cycle is started. When water flow is detected during this cycle, the de-aeration cycle is terminated and the burner is released. The controller checks the water pressure during static and dynamic situation.	- check the installation for the presence of air; If there is a secondary pump installed and it is not hydraulically separated, it could cause pressure differences. - check the use of balancing valves check if the pump is functioning and/or that the water pressure sensor is working properly; Polluted pump; Polluted water pressure sensor; Polluted water filter; Wiring of pump.
<b>bL86</b>	The frequency of the power supply deviates more than + or -1.5Hz	check the main power supply

## 16.3 Errors




Code	Description	Solution
<b>E 00</b>	Incorrect flame formation. boiler has not been burning but an ionization flow (flame) has still been detected	<p>Check whether the ionization cable and/or the electrode are responsible for a possible short-circuit. Remove the plugs from the ionization cable connected to the control unit and to the electrode. Now using a universal meter take a measurement between the ionization connection and the ground, now refit it part by part until a short-circuit takes place.</p> <hr/> <p>Rectify the short-circuit and if necessary replace this part.</p>
<b>E 01</b>	24 Volt short-circuit	<p>Check the 24 Volt connection. Remove all plugs with 24 Volt connections such as: fan, pump, any three-port valve and 24 Volt plug to the connecting block.</p> <hr/> <p>Check short circuit of disconnected components. Switch on power again to the control unit with the components disconnected. Reconnect the components, which have been checked and are working.</p> <hr/> <p>Rectify the short-circuit or replace the short-circuited component.</p>
<b>E 02</b>	No flame formation	<p>Check the data in Error mode. Boiler data during error.</p> <p>1 error = 02                  2 operational status = 02                  3 supply temp. = xx*                  4 return temp. = xx*                  5 kW burner = xx**                  6 % pump = xx*</p> <p>* = variable value                  ** = x 3451 = BTU/hr</p> <hr/> <p>1 No temperature difference between supply (3) and return (4)</p> <p>Boiler has not been able to ignite any gas or has not received any gas. Boiler tries to start 6 times with an increasing starting load after the safety time</p> <p>Check whether:</p> <ul style="list-style-type: none"> <li>- the gas valve is open;</li> <li>- there is power to the gas valve;</li> <li>- that the gas valve opens</li> </ul> <p>The minimum gas pre-pressure during the start must be a minimum of 7"W.C. (17 mbar), check the 24 Volts in the gas during ignition block's open position</p> <hr/> <p>2 There is a temperature difference between supply (3) and return (4)</p> <p>Boiler has gone out after ignition. Due to insufficient ionization the burner has gone out after ignition</p> <p>ionization flow, ionization cable or the O<sub>2</sub> setting. The minimum ionization current should be 4 µA, the O<sub>2</sub> should be a minimum of 4.4% for NG or 4.8% for LP</p>
<b>E 03</b>	Control unit error	<p>Connector not plugged into the gas valve or defect in the wiring of the gas valve.</p> <hr/> <p>Software error control unit. Replace the control unit. The display will automatically load the program into the new controller.</p>
<b>E 04</b>	The controller has detected a program error	<p>Reset the boiler. the boiler automatically indicates this message if during an error read-out the electrical power to the boiler is shut off. After the power has once again switched on, if the error causing the interference is no longer present, this message is given.</p> <hr/> <p>Rectify the preceding error, If Error 04 persists, and preceding errors do not occur, replace controller.</p>
<b>E 05</b>	Control unit error	<p>Check 120V stability. If voltage is deviating more between +10% and -15% the electrical power supply needs to be stabilised.</p> <hr/> <p>Check the ribbon cable between the control unit and the display. Incorrect data will be detected in case of a poor connection between the control unit and the display. If necessary, replace the ribbon cable between these two components.</p> <hr/> <p>The error persists after reset</p> <p>Software error control unit. replace the control unit. The controller will automatically load the program into the new control unit.</p>
<b>E 06</b>	Control unit error	<p>Moisture on the PCB. Check if there is water leaking on or in the boiler.</p> <hr/> <p>Stop leak and replace MCBA controller</p>

Code	Description	Solution
<b>E 07</b>	Control unit error	
1	Anticipation resistance wire not present	When a power stealing room stat device is placed the connection terminal needs to be provided with the special anticipation resistance wire.
2	Software error control unit.	Replace the control unit. The controller will automatically load the program into the new control unit.
<b>E 11</b>	Control unit error	Incorrect data will be detected in case of a poor connection between the control unit and the display. If necessary, replace the ribbon cable between these two components.
	The error persists after reset	Replace the control unit. The controller will automatically load the program into the new control unit.
<b>E 12</b>	High limit stat open	Supply temperature too high. Caused by - presence of air - possible polluted impeller of the circulation boiler pump - polluted internal filter  Check de-aerator. Replace when necessary the automatic de-aerator and restart boiler for de-aerating programm (17min.)  Check water flow over system. Clean when necessary the pump and or filter. Flush complete system  Check adjustment of balancing valves
<b>E 13</b>	Control unit error	Replace the control unit. The controller will automatically load the program into the new control unit.
<b>E 14</b>	- T3 flow sensor ground connection - T3 flow sensor failure - controller failure	Check the data in Error mode. Boiler data during error: 1 Error = 14 2 Operational status = 00 3 Flow temp. = -22 4 Return temp. = xx* 5 kW burner = 00** 6 % pomp = xx* * = variable values **= x3415=BTU/hr  A temperature of - 36 is displayed at position 3. Check the wiring and/or measure the resistance of the flow sensor. The resistance should be approx. 12 kOhm at 77°F. (See table in Appendix B)  If necessary, replace the flow sensor
	- Thermostat indirect tank failure	Replace thermostat by sensor T3 (with cable) for indirect tank
<b>E 18</b>	Signal maximum flow water temperature exceeded ( $T_1 > 212^\circ\text{F}$ ).	check actual flow temperature. suddenly increase caused by completely hydraulic shut off of the boiler (filter, pump, thermostat valve, service valve)  check flow sensor NTC1. measure the resistance value (see Appendix B) exchange defective part if necessary. Change control unit when error persists
<b>E 19</b>	Signal maximum return water temperature exceeded ( $T_2 > 212^\circ\text{F}$ ).	check actual return temperature. Increase of temperature caused by external heating source?  check return sensor NTC 2. measure the resistance value (see Appendix B)  exchange defective part if necessary. Change control unit when error persists
<b>E 24</b>	T1 and T2 (swapped).	T2 temperature is measured to be higher than T1. Check resistance value of T1 and T2 (See Appendix B) and replace T1 or T2.
<b>E 26</b>	Controller failure	Replace controller

Code	Description	Solution
<b>E 28</b>	No signal from the fan	The fan is not running. Check the wiring to the fan and the control unit and/or the 24 volt power supply to the fan <hr/> Wiring and voltage are OK and error is repeated. Replace the fan
<b>E 29</b>	Negative pressure on vent system (pressure difference)	Check vent system. Vent system and air intake system must be installed according installation instructions. <hr/> IF vent system is OK: Replace fan
<b>E 31</b>	internal shut down of supply sensor T1	Check the data in Error mode. Boiler data during error: 1 Error = 31 2 Operational status = 00 3 Flow temp. = 230 4 Return temp. = xx* 5 kW burner = 00** 6 % pump = xx* * = variable values **= x3415=BTU/hr <hr/> Check the wiring. check the wiring for the sensor <hr/> The wiring is OK but the error is repeated. Remove the plug from the flow sensor as a result of which Error 36 occurs <hr/> Replace the sensor.
<b>E 32</b>	Shut down of return sensor T2	Check the data in Error mode. Boiler data during error: 1 Error = 32 2 Operational status = 00 3 Flow temp. = xx* 4 Return temp. = 230 5 kW burner = 00** 6 % pump = xx* * = variable values **= x3415=BTU/hr <hr/> Check the wiring. check the wiring for the sensor <hr/> The wiring is OK but the error is repeated. Remove the plug from the flow sensor as a result of which Error 37 occurs <hr/> Replace the sensor.
<b>E 36</b>	contact for supply sensor T1 open	Check the data in Error mode. Boiler data during error: 1 Error = 36 2 Operational status = 00 3 Flow temp. = -22 4 Return temp. = xx* 5 kW burner = 00** 6 % pump = xx* * = variable values **= x3415=BTU/hr <hr/> Check the wiring. check the wiring for the sensor <hr/> The wiring is OK but the error is repeated. Remove the plug from the flow sensor as a result of which Error 31 occurs <hr/> Replace the sensor.

Code	Description	Solution
<b>E 37</b>	contact for return sensor T2 open	<p>Check the data in Error mode. Boiler data during error:</p> <p>1 Error = 37  2 Operational status = 00  3 Flow temp. = xx*  4 Return temp. = -22  5 kW burner = 00**  6 % pomp = xx*</p> <p>* = variable values  **= x3415=BTU/hr</p> <hr/> <p>Check the wiring. check the wiring for the sensor</p> <hr/> <p>The wiring is OK but the error is repeated. Remove the plug from the flow sensor as a result of which Error 32 occurs</p> <hr/> <p>Replace the sensor.</p>
<b>E 41</b>	Control unit error	Software error control unit. Replace the control unit. The display will automatically load the program into the new control unit.
<b>E 42</b>	Control unit error	Software error control unit. Replace the control unit. The display will automatically load the program into the new control unit.
<b>E 44</b>	Electrical leakage to ground.	<p>Moisture on controller PCB. Check if there is water leaking on or in the boiler.</p> <hr/> <p>Stop water leak and replace controller</p>
<b>E 68</b>	No software present	Control unit and display don't have a programm. There are a new display and a new control unit installed at the same time. Exchange the parts and the loading will start automatically and <b>E 68</b> appears on the display.
<b>E 69</b>	Ribbon cable problem	Replace ribbon cable
<b>E 80</b>	Flue gas temperature to high (adjustment parameter 84 - default 212°F)	Replace flue sensor or adjust parameter 84 to default
<b>FUSE</b>	Fuse on controller PCB defective or Cable transformer not connected	<p>Replace fuse.</p> <p>A 4A and 5A spare fuse can be found inside the Control Tower just above the circuit board.</p>

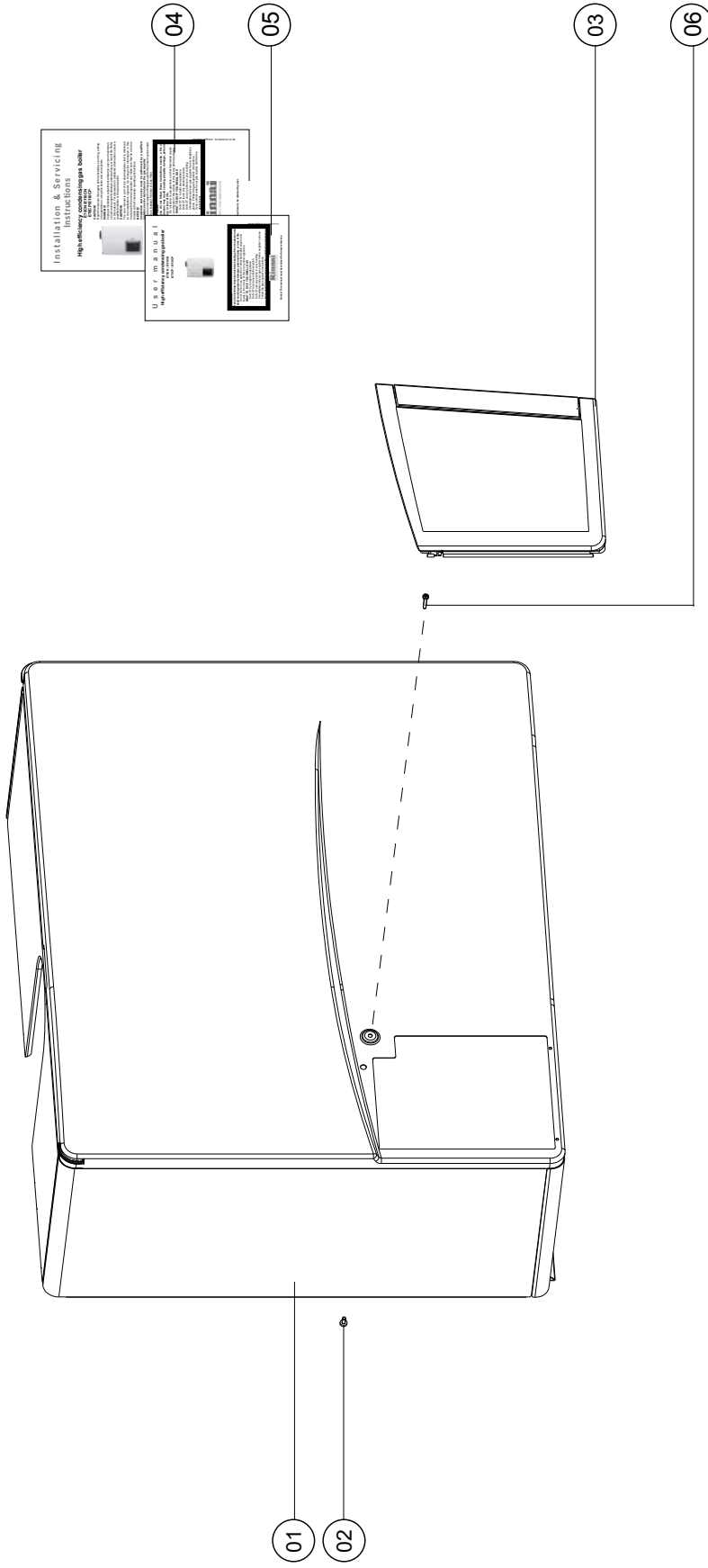
## 16.4 Other Errors

Complaint	Description	Solution
<b>Central heating but no domestic hot water</b>	1.  -Key of the DHW program is not switched on	Switch on DHW program on the Control Tower
	2. Cylinder sensor or thermostat defective.	Replace cylinder sensor or thermostat
	3. When using RS100	- Check timer times for DHW program, if necessary reset - RS100 does not respond to DHW program - See RS100 installation instructions
	4. Three-port valve is not circulating to DHW	- Check wiring. - If necessary replace the three-port valve motor.
<b>Hot water but no central heating</b>	1.  -Key of the central heating program is not switched on.	Switch on central heating program
	2. Room thermostat (on/off) is not giving any signal to the boiler.	Check room thermostat
	3. RS100 with outdoor sensor (Room sensor-On)	- Outdoor temperature is higher than 70°F, depending upon the Eco-temperature set (70°F is the default). Check Info chapter Step 7 or temperature is higher than the Eco temperature set (see RS100 installation instructions). - Check timer program and set room temperature.
	4. Three-port valve is not circulating to central heating position.	Check wiring, replace the three-port valve motor.
<b>Central heating installation gets hot without being requested</b>	1.  -Key pump program is on.	Switch off.
	2. Dirt in three-port valve or three-port valve cartridge is binding.	Clean or replace.
	3. Expansion tank incorrectly fitted.	Connect expansion tank between three-port valve and pump (for Combi boiler or Solo with external DHW tank this pipe connection is present as standard).
<b>Insufficient quantity of hot water</b>	1. Hot and cold water connection to the boiler mixed up.	Check left = cold, right = hot
	2. Incorrect flow reducing valve.	- Check for the type and for contamination, if necessary replace (Combi) and/or clean. - Check the comfort synchronising valve for the correct setting in accordance with the installation instructions.
	3. In the absence of positive results	Check for lime scale. If necessary descale or replace

<b>Complaint</b>	<b>Description</b>	<b>Solution</b>
<b>Temperature drop of the DHW (Combi)</b>	1. Flow reducing valve	Check flow reducing valve for the correct type in accordance with the installation instructions
	2. Thermostatic mixing valve incorrectly set.	Adjust (by measuring the temperature)
	3. DHW power for the boiler is set too low.	-Check PARA chapter Step No. 43 - Check the functioning and wiring of the DHW sensor T3.
<b>temperature drop of the Solo hot water with the DHW cylinders</b>	1. Synchronising valve	Check the setting in accordance with the illustrated DHW cylinder installation instructions
	2. Thermostatic mixing valve incorrectly set	Adjust by measuring the temperature
	3. Hot water temperature too low	Check PARA chapter Step No. 31 or RS100 is set too low. Check the functioning and wiring of the DHW sensor T3
	4. Hot water power for the boiler is set too low.	Check PARA chapter Step No. 43
<b>radiators do not get hot enough or warming them up takes too long</b>	1. Check setting of room thermostat or RS100	See installation and user manual RS100
	2. Supply water temperature too low.	Check setting PARA chapter Step No. 1 and increase if necessary
	3. Incorrect choice of installation	PARA chapter Step No. 2 if necessary change.
	4. Installation resistance too high (given an average T > 36°F the boiler decreases the load).	- See installation instructions. - Check / clean water filter check dimensions of pipes. - If necessary, increase pump rpm Para 48.

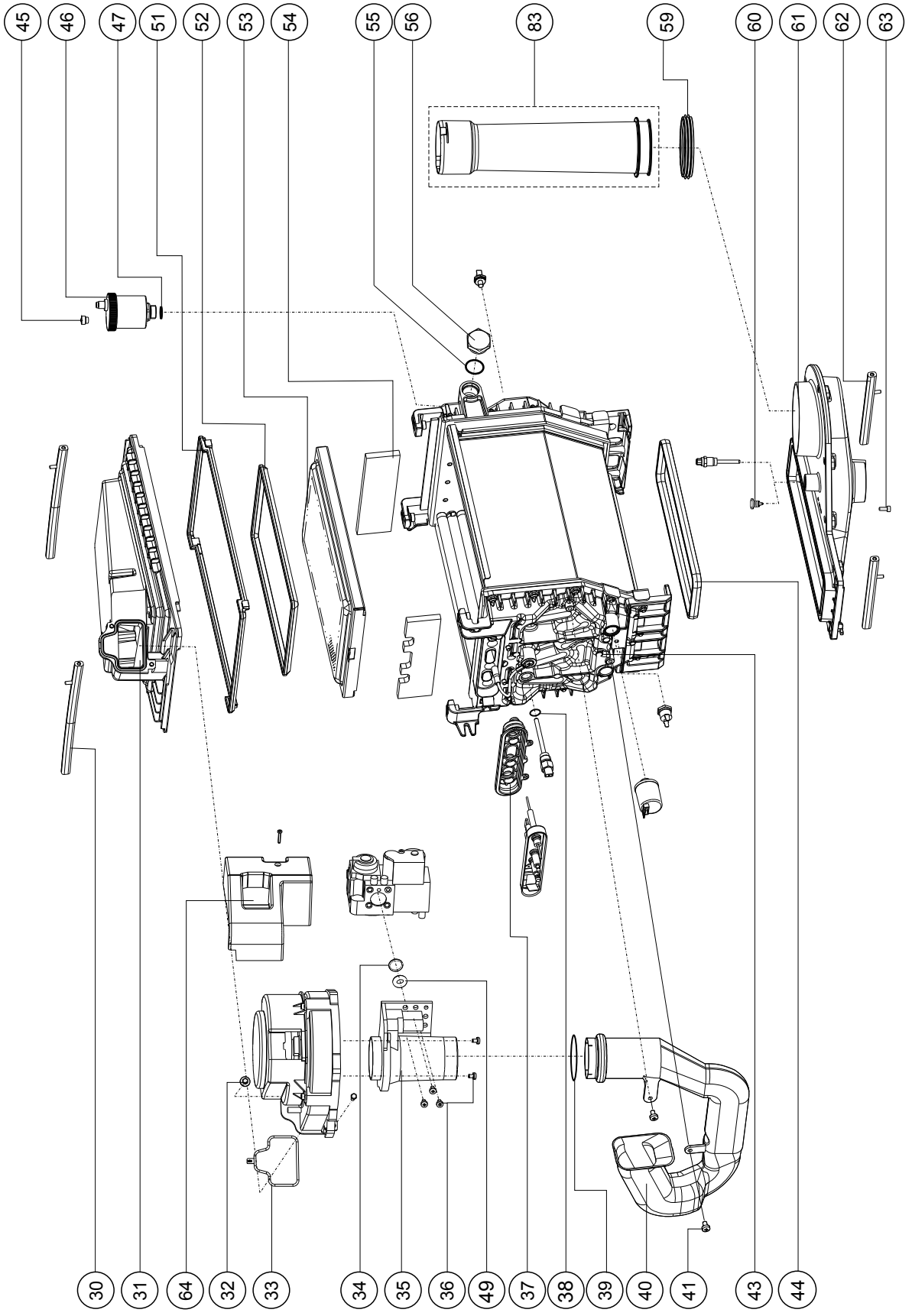
**Parts casing Q-Series / Pièces de l'habillage Série Q**

**17 Spare parts / Pièces de rechange**



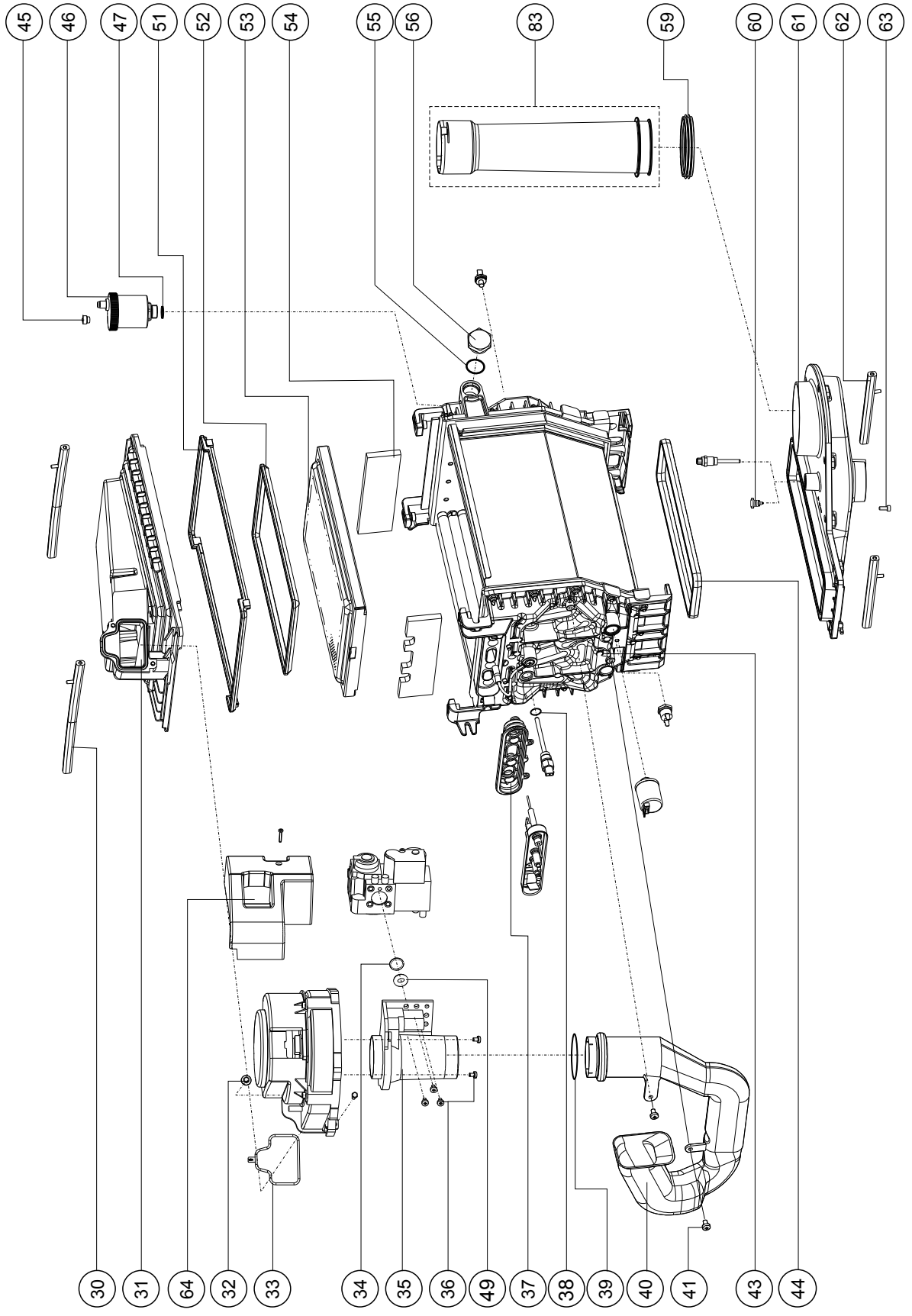
Item	Description	Description	Art. No. / Référence		Q175C		Q85S		Q130S		Q175S		Q205S	
			N	P	N	P	N	P	N	P	N	P	N	P
1	CASING 25/38	HABILLAGE 25/38					X	X	X	X				
1	CASING 51/60	HABILLAGE 51/60									X	X	X	X
1	CASING 51C	HABILLAGE 51C												
3	DOOR CASING Q CPL.	PORTE MANTEAU Q CPL.			X	X	X	X	X	X	X	X	X	X
4	USER MANUAL Q-SERIES	MODE D'EMPLOI SÉRIE Q			X	X	X	X	X	X	X	X	X	X
5	INSTALLATION MANUAL Q-SERIES	INSTRUCTIONS D'INSTALLATION SÉRIE Q			X	X	X	X	X	X	X	X	X	X
6	BOILER CASING BOLT M5X16 (SET OF 5 BOLTS)	VIS DE L'HABILLAGE DE CHAUDIERE M5X16 (5 PAR PAQUET)			X	X	X	X	X	X	X	X	X	X

## Parts heat exchanger Q-Series / Pièces d'échangeur de chaleur Série Q



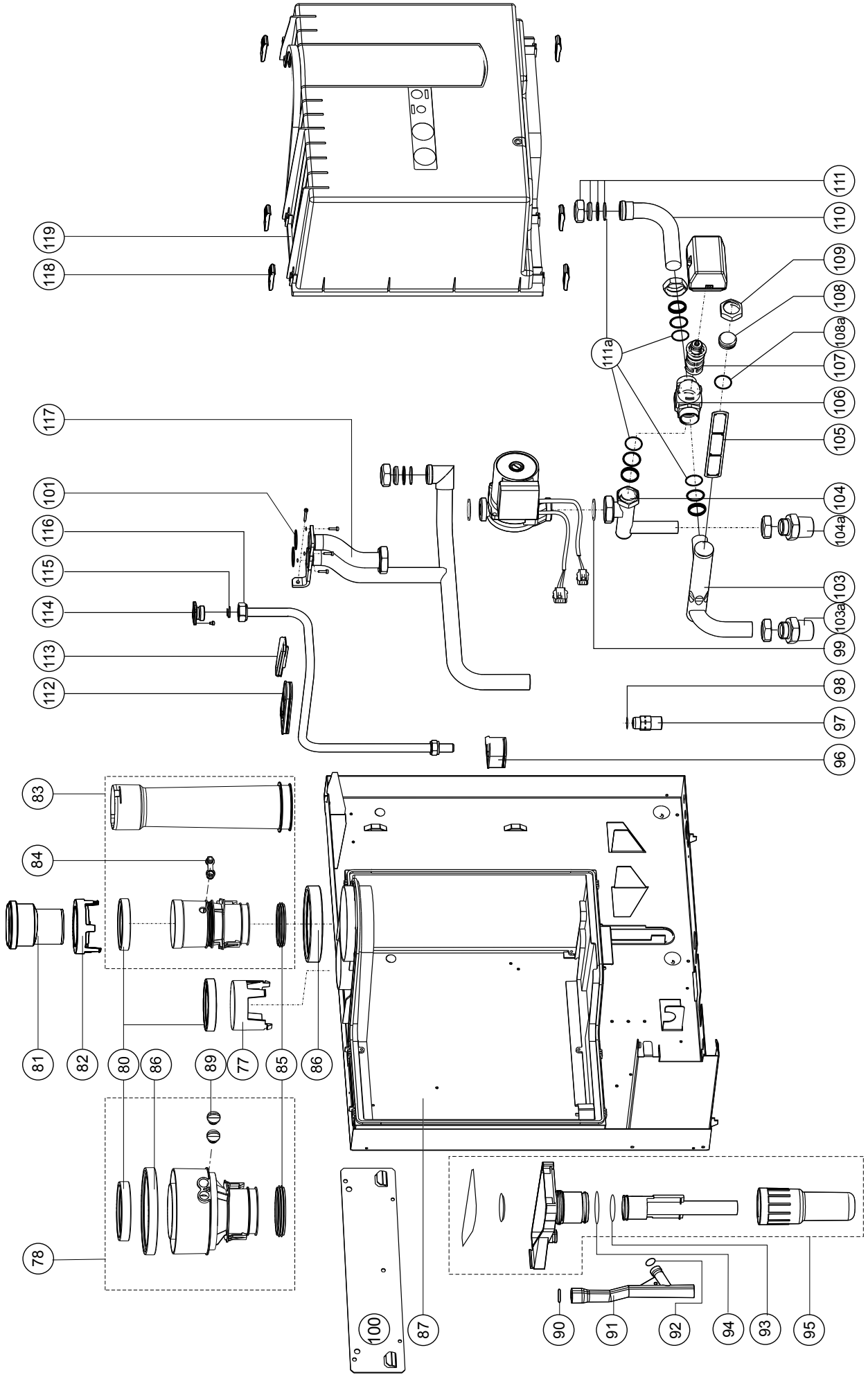
Item	Description	Art. No. / Référence	Q175C			Q85S			Q130S			Q175S			Q205S		
			N	P	OSS3	N	P	OSS1	N	P	OSS2	N	P	OSS3	N	P	OSS4
30	CLAMP BAR TOP PART H.EX. LONG																
31	TOP PART HEAT EXCH. SET OSS1																
31	TOP PART HEAT EXCH. SET OSS2																
31	TOP PART HEAT EXCH. SET OSS3/4																
32	BOLT M 5X16 (5 PER PACKAGE)																
33	GASKET FAN/TOP PART H.EX.																
34	GASKET GAS VALVE - VENTURI																
34	GASKET VENTURI - FAN																
35	VENTURI OSS1																
35	VENTURI OSS2																
35	VENTURI OSS3/4																
36	BOLT M5X12GR FASE ZSDIN7985 (5 PER PACKAGE)																
37	GASKET IONISATION/IGNITION OSS																
38	O-RING ø5,00X2,00 FLOW SENSOR (5 PER PACKAGE)																
39	GASKET SILENCER-VENTURI																
40	DAMPER OSS1																
40	DAMPER OSS2																
40	DAMPER OSS3/4																
41	SCREW TAPTITE M5X8 CK-PD (3 PER PACKAGE)																
43	HEAT EXCHANGER OSS1 ASME																
43	HEAT EXCHANGER OSS2 ASME																
43	HEAT EXCHANGER OSS3 ASME																
43	HEAT EXCHANGER OSS4 ASME																
	BOILER TOOL KIT																
44	GASKET CONDENSATE TRAY OSS1																
44	GASKET CONDENSATE TRAY OSS2																
44	GASKET CONDENSATE TRAY OSS3																

### Parts heat exchanger Q-Series / Pièces échangeur de chaleur Série Q



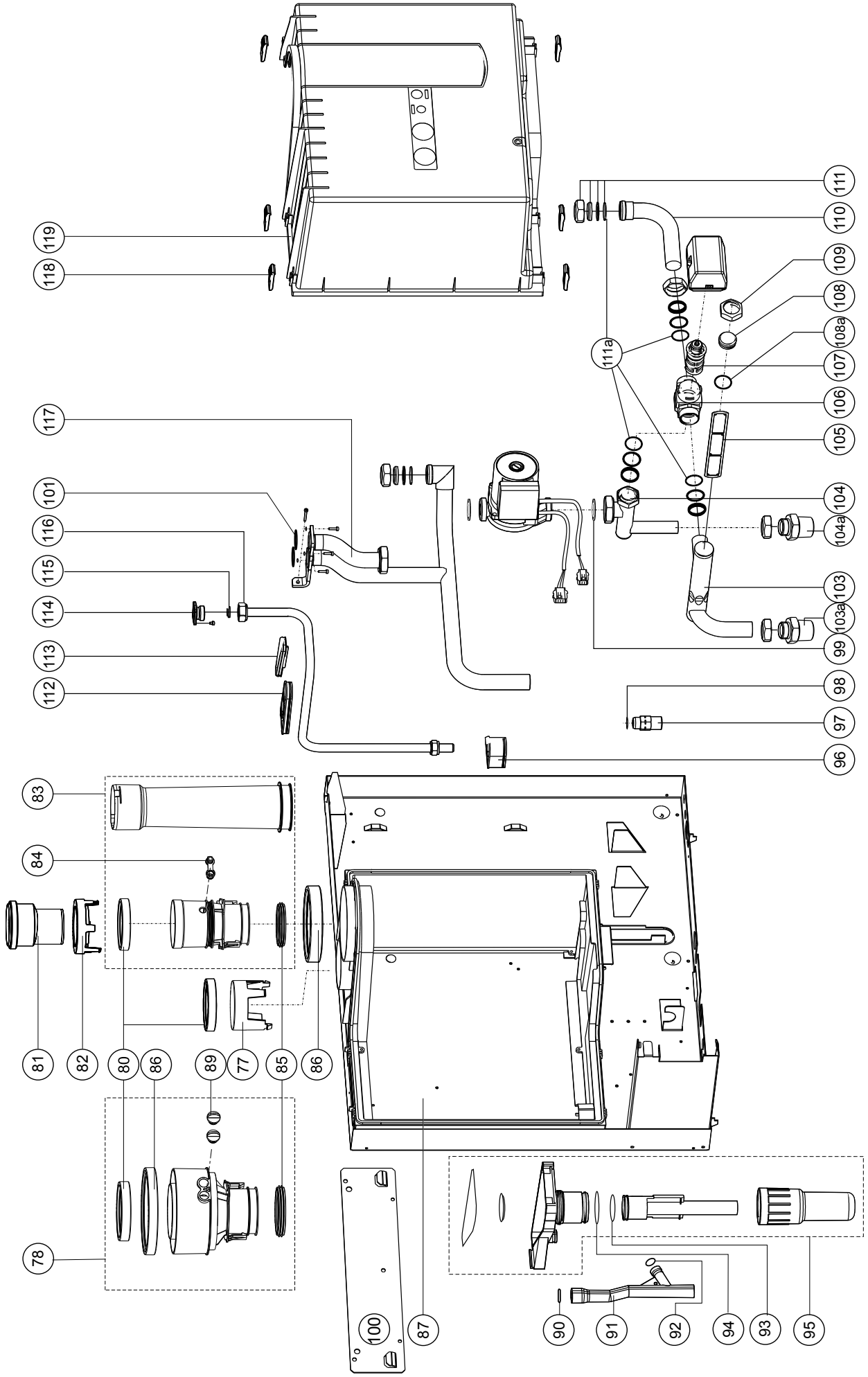
Item	Description	Art. No. / Référence	Q175C		Q85S		Q130S		Q175S		Q205S	
			N	P	N	P	N	P	N	P	N	P
				OSS3		OSS1	OSS2	OSS3	OSS4			
45	CAP DE-AERATOR SHR (3 PER PACKAGE)	807000023	X	X	X	X	X	X	X	X	X	X
46	DE-AERATOR CHROME	807000024	X	X	X	X	X	X	X	X	X	X
47	O-RING ø13,94X2,62 DE-AER. (2 PER PACKAGE)	809000028	X	X	X	X	X	X	X	X	X	X
51	GASKET H.E./TOP PART OSS1	809000030		X								
51	GASKET H.E./TOP PART OSS2	809000031				X						
51	GASKET H.E./TOP PART OSS3/4	809000032	X	X				X	X	X	X	X
52	GASKET BURNER/TOP PART OSS1	809000033			X							
52	GASKET BURNER/TOP PART OSS2	809000034					X					
52	GASKET BURNER/TOP PART OSS3/4	809000035	X	X				X	X	X	X	X
53	BURNER CASSETTE SET OSS1	806000010			X							
53	BURNER CASSETTE SET OSS2	806000011					X					
53	BURNER CASSETTE SET OSS3/4 NATURAL GAS	806000031	X	X				X			X	
53	BURNER CASSETTE SET OSS3/4 PROPANE	806000030		X							X	
54	SET INSULATION PIPE PLATE L+R	809000036	X	X	X	X	X	X	X	X	X	X
55	O-RING ø17,12X2,62 PLUG HEATEXCH. (3 PER PACKAGE)	809000103	X	X	X	X	X	X	X	X	X	X
56	METAL PLUG HEAT EXCH 1/2"	809000115	X	X	X	X	X	X	X	X	X	X
59	LIP-RING ø63 AMGAS	809000038				X						
59	LIP-RING ø80 AMGAS	809000039	X	X			X	X	X	X	X	X
60	PLUG FLUE GAS SENSOR	809000040	X	X	X	X	X	X	X	X	X	X
61	CONDENSATE TRAY OSS1	809000041			X							
61	CONDENSATE TRAY OSS2	809000042						X				
61	CONDENSATE TRAY OSS3/4	809000043	X	X						X	X	X
62	CLAMP BAR COND. TRAY	809000044	X	X	X	X	X	X	X	X	X	X
63	BOLT M 5X12 IMBUS VERZ. (3 PER PACKAGE)	809000045	X	X	X	X	X	X	X	X	X	X
64	COVER GAS VALVE	809000046	X	X	X	X	X	X	X	X	X	X

**Parts rear wall Q-Series / Pièces façade arrière Série Q**



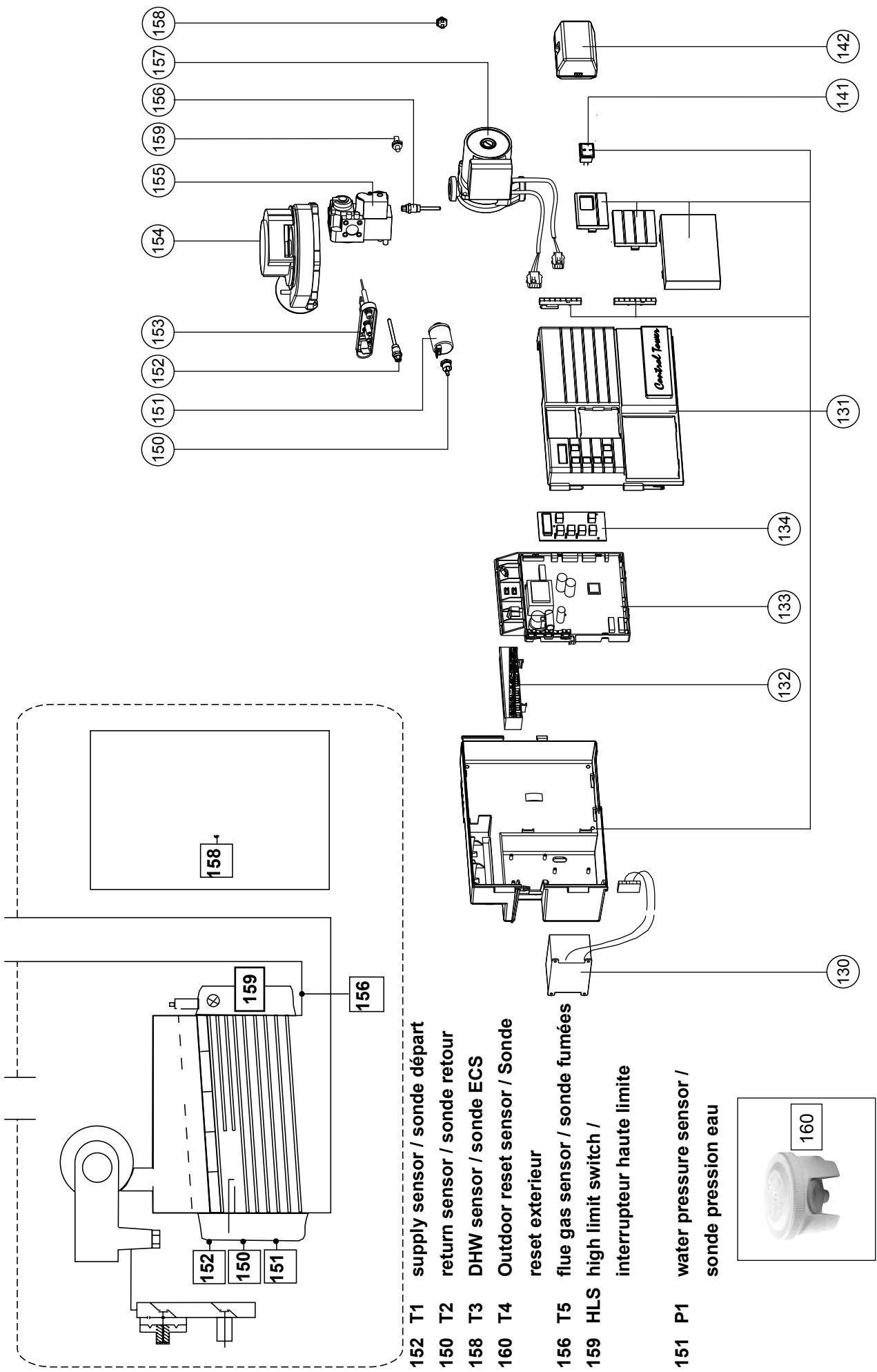
Item	Description	Art. No. / Référence	Q175C		Q85S		Q130S		Q175S		Q205S	
			N	P	N	P	N	P	N	P	N	P
77	COVER AIR SUPPLY Ø80mm	8070000075	X	X	X	X	X	X	X	X	X	X
78	CONCENTRIC FLUE ADAPTOR 80/125"MM	8080000023	X	X	X	X	X	X	X	X	X	X
80	GASKET AIR INTAKE ø80 SHR	8090000047	X	X	X	X	X	X	X	X	X	X
81	FLUE ADAPTER 80mm x 3"	8080000022	X	X	X	X	X	X	X	X	X	X
82	COVER AIR SUPPLY Ø125mm	8080000029	X	X	X	X	X	X	X	X	X	X
83	FLUE GAS SYSTEM PP SET OSS1	8080000010			X							
83	FLUE GAS SYSTEM PP SET OSS2	8080000011					X					
83	FLUE GAS SYSTEM PP SET OSS3/4	8080000012	X						X		X	X
84	PLUG MEASURING POINT PARALLEL FLUE PIPE	8080000028	X	X	X	X	X	X	X	X	X	X
85	GASKET FLUE GAS PIPE PP	8090000048	X	X	X	X	X	X	X	X	X	X
86	GASKET AIR SUPPLY 5"	8090000049	X	X	X	X	X	X	X	X	X	X
87	AIR BOX BACK Q85S 7 Q130S	8080000013				X	X	X				
87	AIR BOX BACK Q175S, Q175C & Q205S	8080000014	X						X		X	X
89	PLUG MEASURING POINT CONCENTRIC FLUE PIPE	8080000030	X	X	X	X	X	X	X	X	X	X
90	O-RING ø19.50X1.80 TRAP TRAY	8090000050	X	X	X	X	X	X	X	X	X	X
91	CONDENSATE DRAIN PIPE Q	8090000051	X	X	X	X	X	X	X	X	X	X
92	O-RING Ø12.42X1.78	8090000082	X									
93	O-RING ø40X3.53 TRAP TRAY Q	8090000052	X	X	X	X	X	X	X	X	X	X
94	O-RING ø50.39X3.53 TRAP Q	8090000053	X	X	X	X	X	X	X	X	X	X
95	TRAP PP Q COMPLETE	8090000054	X	X	X	X	X	X	X	X	X	X
96	FEED THROUGH GAS LINE AIRBOX	8080000017	X	X	X	X	X	X	X	X	X	X
97	GAS FITTING OSS1/2 Q	8060000013				X	X	X				
97	GAS FITTING OSS3/4 Q	8060000014	X						X		X	X
98	O-RING ø13.94X2.62 YELLOW SILI Q	8090000055	X	X	X	X	X	X	X	X	X	X
99	GASKET PUMP (2 PER PACKAGE)	8090000056	X	X	X	X	X	X	X	X	X	X
100	BRACKET E75C, E110C, Q85S & Q130S	8090000065				X	X	X				
	BRACKET Q175S & Q205S	8090000066									X	X
	BRACKET Q175C	8090000067	X									
101	O-RING ø29.74X3.53 FLOW/RET. (2 PER PACKAGE)	8090000064	X	X	X	X	X	X	X	X	X	X
103	PIPE RETURN-PUMP FILT Q85S 7 Q130S	8070000025				X	X	X				
103	PIPE RET-PUMP FILT Q175S, Q175C & Q205S	8070000026									X	X
103	PIPE RET-3WV FILTER Q175C	8070000027	X	X								

**Parts rear wall Q-Series / Pièces façade arrière Série Q**

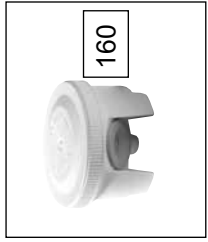


Item	Description	Art. No. / Référence	Q175C		Q85S		Q130S		Q175S		Q205S	
			N	P	N	P	N	P	N	P	N	P
			OSS3		OSS1	OSS2	OSS3	OSS4				
103A	CONNECTION SET 28 X 1" NPT	807000070			2X	2X	2X					
103A	CONNECTION SET 35 X 1 1/4" NPT	807000071	2X	2X					2X	2X	2X	2X
104	PIPE 3WV-PUMP EXT. EXP.VESSEL Q	807000028	X	X								
104A	CONNECTION SET 22 X 3/4" NPT	807000069	X	X								
105	FILTER RETURN PIPE Q	807000029	X	X	X	X	X	X	X	X	X	X
106	THREE WAY V. HOUSING VC O-RING	809000057	X	X								
107	CARTRIDGE 3WV	807000030	X	X								
108	FILTER CAP	807000031	X	X	X	X	X	X	X	X	X	X
108a	O-RING ø25,07 X 2,62 3WV	809000058	X	X	X	X	X	X	X	X	X	X
109	NUT M35 ø30	809000059	X	X	X	X	X	X	X	X	X	X
110	PIPE CYLINDER-3WV Q	807000032	X	X								
111	FITTINGS SET CYL. COMBI	807000033	X	X								
	NUT M35 ø30	809000059	X	X								
111a	O-RING ø26.70 X 1.78 (3 PER PACKAGE)	809000091	X	X								
112	AIRBOX GASKET FLOW/RETURN Q	809000060	X	X	X	X	X	X	X	X	X	X
113	SERVICE CAP AIRB. Q	808000018	X	X	X	X	X	X	X	X	X	X
114	FITTING GAS VALVE 3/4"	806000016	X	X	X	X	X	X	X	X	X	X
	O-RING ø21.89X2.62 GASLINE	809000061	X	X	X	X	X	X	X	X	X	X
115	GASKET FITTING 3/4" GASV.	809000062	X	X	X	X	X	X	X	X	X	X
116	GASLINE Q85S	806000017			X	X						
116	GASLINE Q130S	806000018	X	X			X	X	X	X	X	X
117	PIPE FLOW Q85S	807000034			X				X			
117	PIPE FLOW Q130S	807000035						X				
117	PIPE FLOW Q175S/Q205S	807000036									X	X
	PIPE CYLINDER - CH Q175C	807000037	X	X								
	SCREW (5 PER PACKAGE)	809000063	X	X	X	X	X	X	X	X	X	X
117A	CONNECTION SET 28 X 1" NPT	807000070			X	X	X	X	X	X	X	X
117A	CONNECTION SET 35 X 1 1/4" NPT	807000071							X	X	X	X
118	SNAP LOCK AIR BOX	808000019	X	X	X	X	X	X	X	X	X	X
119	AIR BOX FRONT Q85S 7 Q130S	808000015			X	X			X	X		
	AIR BOX FRONT Q175S, Q175C & Q205S	808000016	X	X							X	X

**Parts electrical components Q-Series / Pièces des composants électrique Serie Q**

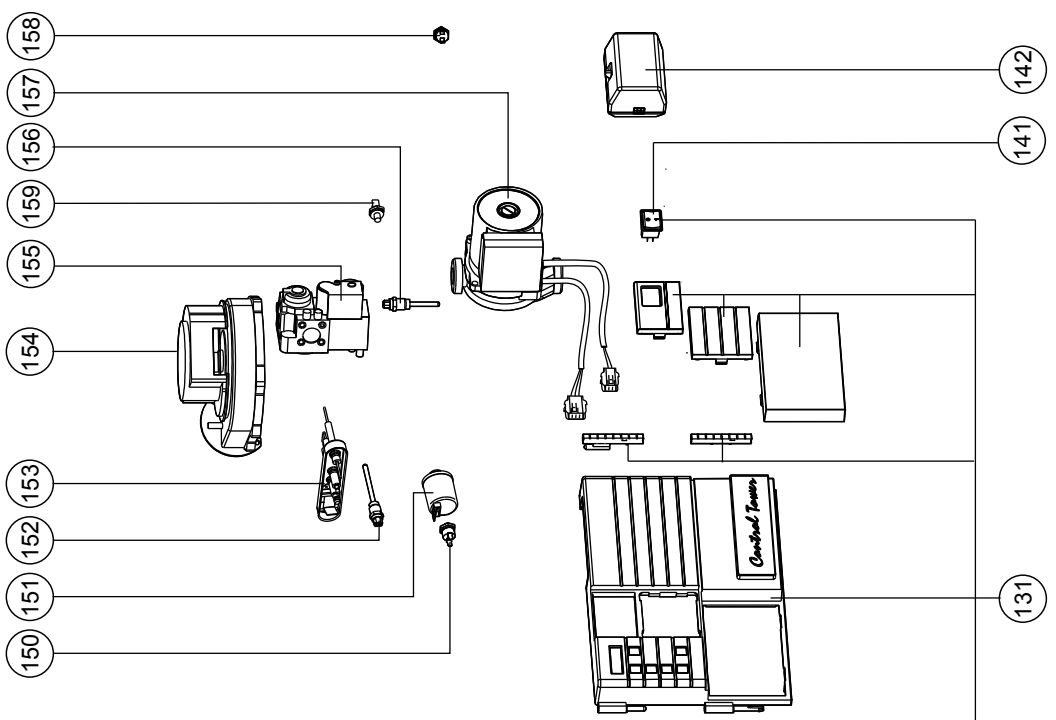
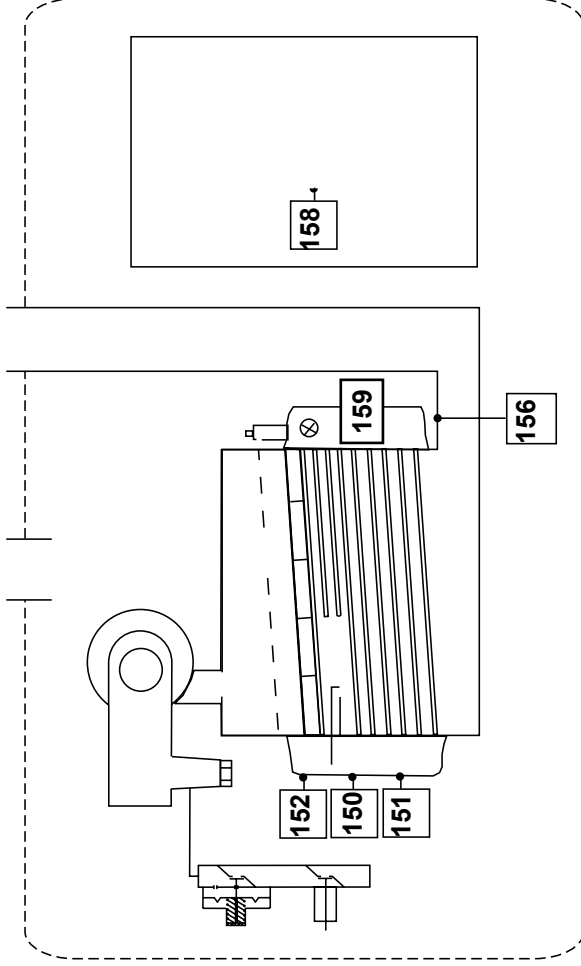


- 152 T1 supply sensor / sonde départ
- 150 T2 return sensor / sonde retour
- 158 T3 DHW sensor / sonde ECS
- 160 T4 Outdoor reset sensor / Sonde reset extérieur
- 156 T5 flue gas sensor / sonde fumées
- 159 HLS high limit switch / interrupteur haute limite
- 151 P1 water pressure sensor / sonde pression eau

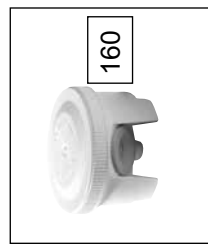


Item	Description	Art. No. / Référence	Q175C		Q85S		Q130S		Q175S		Q205S	
			N	P	N	P	N	P	N	P	N	P
130	TRAFO 120V/24V	805000010	X	X	X	X	X	X	X	X	X	X
	SCREW 3,5X 9,5 VERZ.D7983 (5 PAR PACKAGE)	805000011	X	X	X	X	X	X	X	X	X	X
131	CONTROL TOWER COMPLETE	805000045	X	X	X	X	X	X	X	X	X	X
132	HARNESS Q RAC	805000012	X	X	X	X	X	X	X	X	X	X
	STICKER CONNECTION TERMINAL	805000014	X	X	X	X	X	X	X	X	X	X
	HARNESS Q 120V + MAINS SWITCH	805000013	X	X	X	X	X	X	X	X	X	X
	CONNECTOR 2-POLE PURPLE	805000015	X	X	X	X	X	X	X	X	X	X
	CONNECTOR 2-POLE BLACK	805000016	X	X	X	X	X	X	X	X	X	X
	CONNECT. 3-POLE GREEN EXT.PUMP	805000017	X	X	X	X	X	X	X	X	X	X
	CONNECTOR 3-POLE GRAY	805000018	X	X	X	X	X	X	X	X	X	X
	CONNECTOR 4-POLE BROWN	805000021	X	X	X	X	X	X	X	X	X	X
	CONNECTOR 6-POLE BLUE	805000022			X	X	X	X	X	X	X	X
	HARNESS Q 3WV	805000023	X	X								
133	CONTROL UNIT MCBA 5417 Q RAC	805000024	X	X	X	X	X	X	X	X	X	X
	FUSE 5AF (3 PER PACKAGE)	805000026	X	X	X	X	X	X	X	X	X	X
	FUSE 4 AT (250v) (3 PER PACKAGE)	805000027	X	X	X	X	X	X	X	X	X	X
134	DISPLAY MCBA ATAG Q	805000028	X	X	X	X	X	X	X	X	X	X
	FLAT CABLE DISPLAY L=240 SHR	805000029	X	X	X	X	X	X	X	X	X	X
141	HARNESS Q 120V + MAINS SWITCH	805000013	X	X	X	X	X	X	X	X	X	X
	MAINS SWITCH 120V	805000048	X	X	X	X	X	X	X	X	X	X
142	3WAY VALVE ACTUATOR VC6940	805000031	X	X								
	HARNESS Q 3WV	805000023	X	X								

**Parts electrical components Q-Series / Pièces des composants électrique Serie Q**



- 152 T1 supply sensor / sonde départ
- 150 T2 return sensor / sonde retour
- 158 T3 DHW sensor / sonde ECS
- 160 T4 Outdoor reset sensor / Sonde reset extérieur
- 156 T5 flue gas sensor / sonde fumées
- 159 HLS high limit switch / interrupteur haute limite
- 151 P1 water pressure sensor / sonde pression eau



130

132

133

134

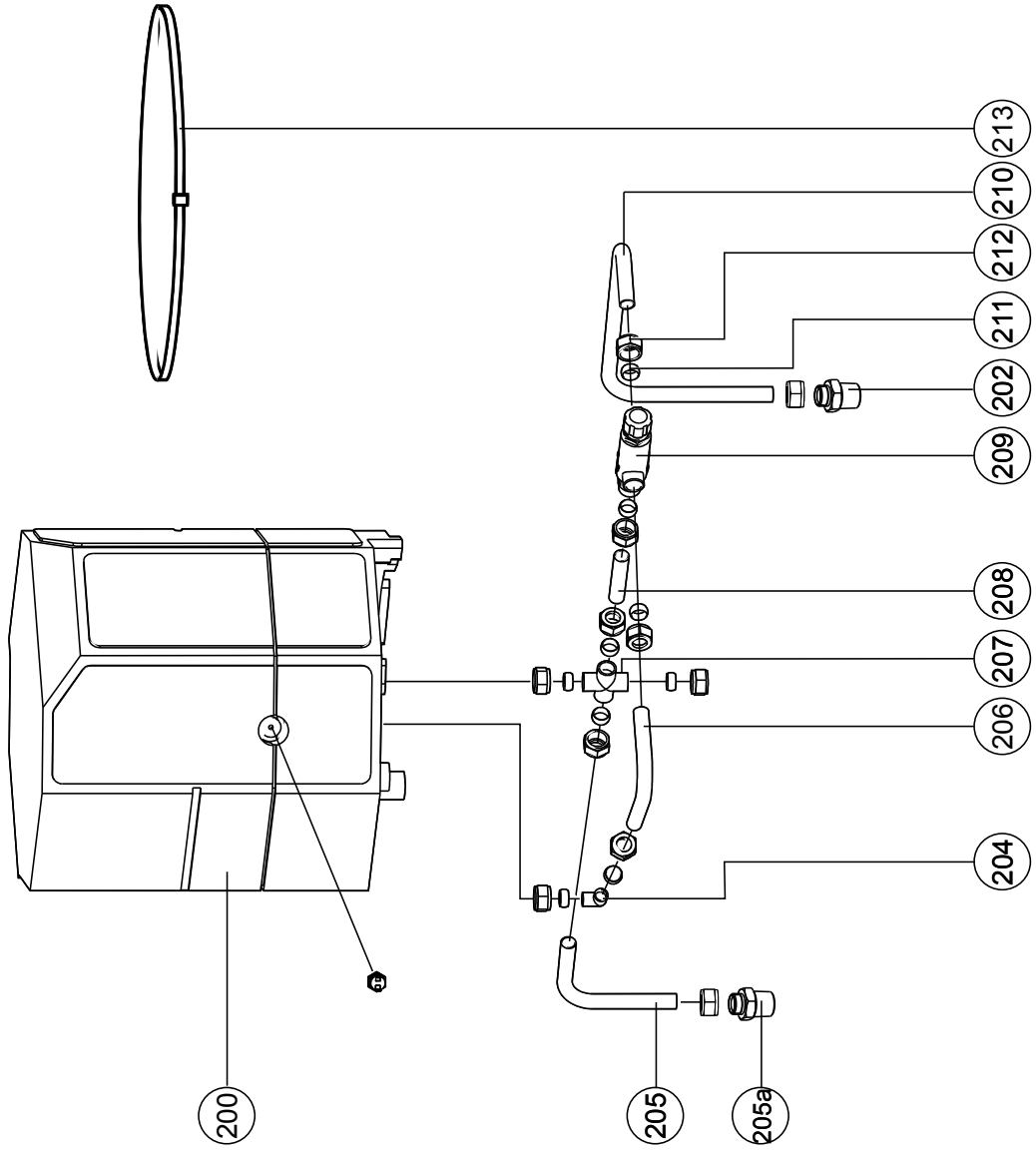
131

141

142

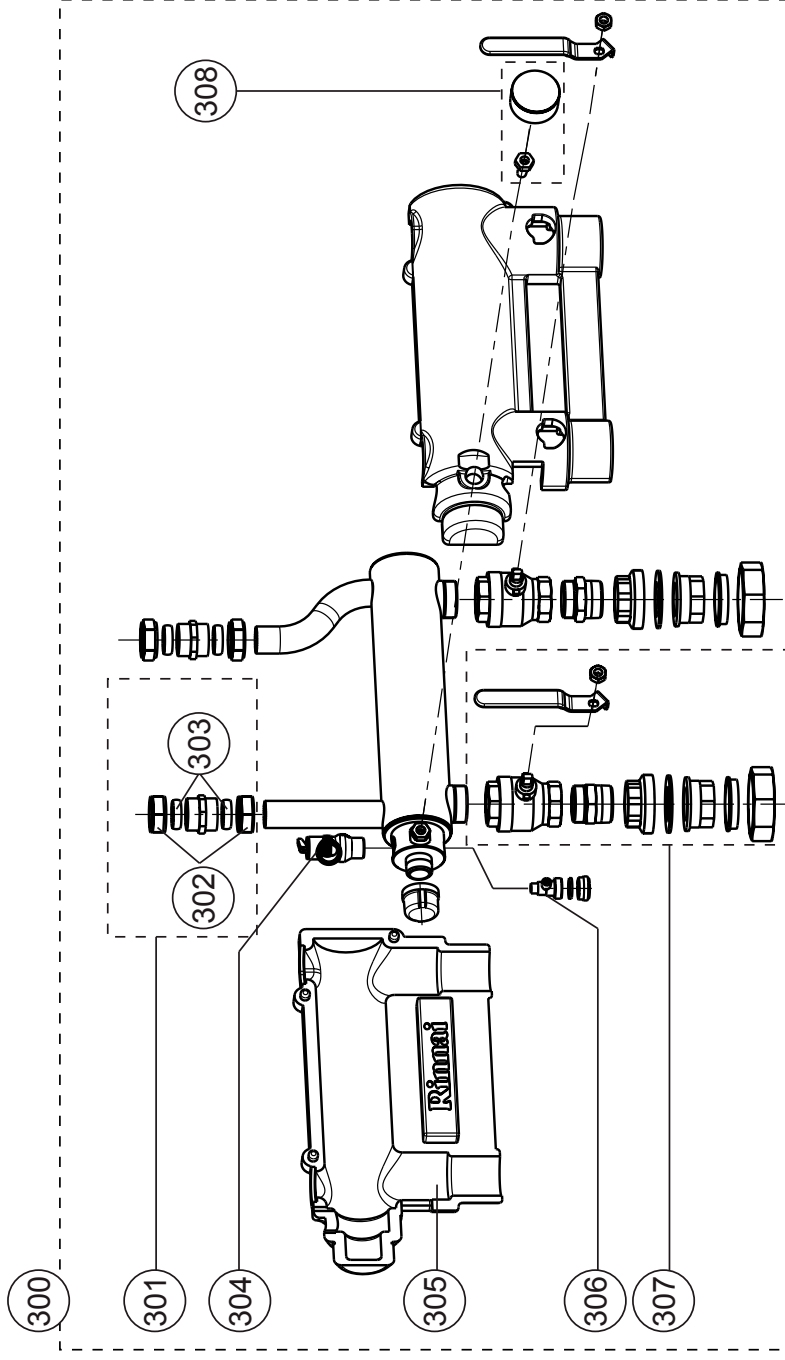
Item	Description	Art. No. / Référence	Q175C		Q85S		Q130S		Q175S		Q205S	
			N	P	N	P	N	P	N	P	N	P
			OSS3	OSS1	OSS2	OSS3	OSS4					
150	NTC T2/T3	805000032	X	X	X	X	X	X	X	X	X	X
151	WATERPRESSURE SENSOR	805000034	X	X	X	X	X	X	X	X	X	X
	WATER PRESSURE SENSOR CABLE	805000050	X	X	X	X	X	X	X	X	X	X
152	NTC T1/T3	805000035	X	X	X	X	X	X	X	X	X	X
153	IGNITION ELECTRODE+GASKET OSS	805000036	X	X	X	X	X	X	X	X	X	X
	IGNITION CABLE SHR	805000037	X	X	X	X	X	X	X	X	X	X
	HARNESS FAN 120V	805000038	X	X	X	X	X	X	X	X	X	X
	IONISATION WIRE SHR	805000039	X	X	X	X	X	X	X	X	X	X
154	FAN NRG 118 OSS1/2	808000020		X	X	X						
	FAN G1G126 OSS3/4	808000021	X						X	X	X	X
	HARNESS FAN Q 120V	805000044	X	X	X	X	X	X	X	X	X	X
155	GAS VALVE	806000019	X	X	X	X	X	X	X	X	X	X
156	FLUE GAS SENSOR INCL.CABLE	805000040	X	X	X	X	X	X	X	X	X	X
157	PUMP UPER PWM 20-58 120V	807000040		X	X	X						
157	PUMP UPER PWM 20-78 120V	807000041	X	X					X	X	X	X
158	NTC T2/T3	805000032	X	X	X	X	X	X	X	X	X	X
159	HIGH LIMIT SWITCH	805000033	X	X	X	X	X	X	X	X	X	X
160	OUTDOOR RESET SENSOR ARV12	805000047										

**Parts tank (Combi boilers) Q-Series / Pièces boiler (Chaudières combi) Série Q**



Item	Description	Description	Art. No. / Référence		Q175C		Q85S		Q130S		Q175S		Q205S	
			N	P	N	P	N	P	N	P	N	P	N	P
					OSS3	OSS1			OSS2	OSS3	OSS4			
200	MINI-TANK 6.6 GLN Q175C	MINI BOILER 6.6 GLN Q175C			X	X								
202	ADAPT.FITT.+DOS.VLVE 4.75 GLN/MIN RED	ADAPT.RACC.+VANNE DE DOS. 4.75 GLN/MIN ROUGE			X	X								
204	KNEE FITTING 15MM	RACCORD GENOU 15MM			X	X								
205	PIPE Ø15 COLD Q	CONDUITE Ø15 EAU FROIDE Q			X	X								
205A	CONNECTION SET 15 X 3/4" NPT	KIT DE RACCORDEMENT 15 X 3/4" NPT			X	X								
206	PIPE Ø15 HOT-MIXING VALVE Q	CONDUITE Ø15 EAU CHAUDE-VANNE MELANGUEUSE Q			X	X								
207	CROSS COMPR.FITTING 15MM Q	RACCORDEMENT BICON EN CROIX 15MM Q			X	X								
208	PIPE Ø15 COLD MIXING VALVE Q	CONDUITE Ø15 EAU FROIDE VANNE MELANGUEUSE Q			X	X								
209	THERM. MIX VALVE Ø15 COMPR. Q	VANNE MELANGUEUSE THERMOSTATIQUE BICON Ø15 Q			X	X								
210	PIPE Ø15 MIX Q	CONDUITE Ø15 MEL. Q			X	X								
211	FERRULE COMPR FITTING 15MM BRASS	EMBOUT RACCORD BICON 15MM LAITON			X	X								
212	NUT 1/2" G BRASS COMPR. 15	ECROU 1/2" G RACCORD BICON LAITON 15			X	X								
213	STRAP CYLINDER/EXP.VESSEL	SANGE BOILER/VASE D'EXPANSION			X	X								
	FITTING SET CYLINDER COMBI	KIT DE RACCORDEMENT BOILER COMBI			X	X								

**Parts plumbing kit Q-Series / Pièces kit hydraulique Série Q**



Item	Description	Art. No. / Référence	Q175C		Q85S		Q130S		Q175S		Q205S	
			N	P	N	P	N	P	N	P	N	P
				OSS3		OSS1		OSS2		OSS3		OSS4
300	PLUMBING KIT #2 FOR Q85S/Q130S	804000062		X	X	X	X	X				
	PLUMBING KIT #3 FOR Q175S/Q175C/Q205S	804000063	X	X					X	X	X	X
301	COMPRESSION FITTING 28MM	804000065		X	X	X	X	X				
	COMPRESSION FITTING 35MM	804000066	X	X					X	X	X	X
302	NUT COMPR FITTING 28MM	804000057		X	X	X	X	X				
	NUT COMPR FITTING 35MM	804000058	X	X					X	X	X	X
303	FERRULE COMPR FITTING 28MM	804000053		X	X	X	X	X				
	FERRULE COMPR FITTING 35MM	804000054	X	X					X	X	X	X
304	SAFETY VALVE PLUMBING KIT	807000077	X	X	X	X	X	X	X	X	X	X
305	INSULATION PACK PL. KIT 1/2	809000101		X	X	X	X	X				
	INSULATION PACK PL.KIT 3	809000102	X	X					X	X	X	X
306	DRAIN VALVE PLUMBING KIT	807000078	X	X	X	X	X	X	X	X	X	X
307	SERVICE VALVE+ FITTING 1 1/4"NPT	807000079		X	X	X	X	X				
	SERVICE VALVE+FITTING 1 1/2"NPT	807000080	X	X					X	X	X	X
308	T/P GAUGE WITH WATER LOCK	807000081	X	X	X	X	X	X	X	X	X	X

## 18 Parts list vent system

### Vent Products

Listed and Tested Vent Products for E75C, E110C, Q85S, QP85, Q130S, QP130, Q175S, Q175C and Q205S

Manufacturer	Descriptions	Parts #	
<b>Heatfab</b>	DGV 3"/5" Conc Air Intake Tee 3"	DGV03TAD3	
	DGV 3"/5" Conc X 12" Length	DGV03L12	
	Concentric DGV 3"/5" Conc X 31" Length	DGV03L36	
	DGV 3"/5" Conc Horz Term Adapter	DGV03HT	
	DGV 3"/5" Conc Vert Term Adapter	DGV03VT	
	Rain Cap	SGV300	
	3"- Adapter to fit into 80 mm Flue Collar	adapter	
	3"- 12 Length	SGV302	
	3"- 31" Length	SGV307	
	Twin Pipe	3"- 90 Deg Tr Elbow	SGV314
		3"- Screen Termination	SGV392
		3"- Round Wall Thimble Pate	SGV393
		3"- Tall Cone Flashing, Flat- 2/12 Pitch	SGV3TCF

Manufacturer	Descriptions	Parts #
<b>IPEX</b>	Concentric Vent Termination	1CT0303
	PVC - FGV Concentric Kit	196006
	PVC - FGV Wall Termination Kit	81219
	CPVC - FGV Concentric Vent Kit	197009
	Termination Vent Screen	196051

Manufacturer	Descriptions	Parts #
<b>Simpson Dura-Vent</b>	3" (76mm) SS flexible lining system	3SFLEX-XX 294590
	3" (76mm) FasNSeal Flex-to-FasNSeal Adapter female	304003
	3" (76mm) FasNSeal-to-FasNSeal Adapter Flexible male	304103
	80mm to 3" Appliance Adapter	FSA-80MM3
	Vertical termination	300325
	3" (76mm) Bend 90 Degree	300160
	3x5 AL294C Concentric (12" Straight Pipe)	35CVS-12
	3x5 AL294C Concentric (36" Straight Pipe)	35CVS-36
	3x5 AL294C Concentric (48" Straight Pipe)	35CVS-48
	3x5 AL294C Concentric (90° Elbow)	35CVS-E90
	3x5 AL294C Concentric (45° Elbow)	35CVS-E45
	3x5 AL294C Concentric (Wall Strap)	35CVS-WS
	3x5 AL294C Concentric (Horizontal Cap)	35CVS-HC
	3x5 AL294C Concentric (Vertical Cap)	35CVS-VC
	3x5 Sealed Combustion 6" Vent Length	SC-0603
	3x5 Sealed Combustion 12" Vent Length	SC-1203
	3x5 Sealed Combustion 18" Vent Length	SC-1803
	3x5 Sealed Combustion 24" Vent Length	SC-2403
	3x5 Sealed Combustion 36" Vent Length	SC-36-3
	3x5 Sealed Combustion Adjustable Vent Length	SC-AVL3
	3x5 Sealed Combustion 94° Elbow	SC-94033
	Wall Kit (w/Cap)	FSSCWMK35
	Roof Kit (w/cap)	FSSCTRK35

Manufacturer	Descriptions	Parts #
<b>Rinnai/ Ubbink</b>	1 Meter Sections of PP/PVC, 3"/5"	224080
	90 Degree, Male x Female, PP/PVC, 3"/5"	224078
	Horizontal PP Termination, 21 inch	223175
	Vertical PP Termination	184162
	Condensing Raised Horizontal Termination Snorkel Kit	224047PP
	Condensing 45 Deg. Vent Pipe Elbow 2 pcs	224077PP
	Stainless Steel: 1 Meter Sections of SS/PVC, 3"/5"	224204SS
	90 Degree, Male x Female, SS/PVC, 3"/5"	224201SS
	Horizontal SS Termination, 21 inch	223178SS
	Vertical SS Termination	184221SS

Manufacturer	Descriptions	Parts #
York International	3" PVC Concentric Vent Termination	1CT0303

Manufacturer	Descriptions	Parts #
CentroTherm	3"/4" B-Vent Chimney Cover	IABC0304
	3"/5" B-Vent Chimney Cover	IABC0305
	3"/6" B-Vent Chimney Cover	IABC0306
	3"/7" B-Vent Chimney Cover	IABC0307
	3" Connector Ring	IANS03
	3" Support Clamp	IASC03
	3" Spacer	IASP03
	3" Screens PPs-UV Black	IASPP03
	3" Bird Screen SS	IASS03
	3" Wall Plate Black	IAWP03B
	3" Wall Plate White	IAWP03W
	3" Twin Pipe to 3"/5" Concentric Adaptor	ICTC0335
	3" Base Support	ISBS0387
	3" Chimney Cover SS w/PPs-UV End Pipe	ISCM03
	3" Chimney Cover PPs-UV Black	ISCP03
	3" Chimney Cover SS w/SS End Pipe	ISCS03
	3" x 45 Elbow	ISEL0345
	3" x 87 Elbow	ISEL0387
	3" x 45 Elbow Long	ISELL0345
	3" x 45° Elbow Long PPs-UV Black	ISELL0345UV
	3" x 87 Elbow Long	ISELL0387
	3" x 87° Elbow Long PPs-UV Black	ISELL0387UV
	3" x 87° Sweep Elbow	ISELR0387
	3" x 20" End Pipe PPs-UV Black	ISEP03
	3" x 39" End Pipe PPs-UV Black	ISEP0339
	3" Single Wall EDPM Gasket	ISGE03
	3" Horizontal Drain Tee	ISHDT03
	3" Low Profile Wall Termination	ISLPT0303
	3" Tee	IST03
	3" Test Port	ISTP03
	3" Termination Tee Long	ISTT0320
	3" x 12" Vent Length	ISVL031
	3" x 24" Vent Length	ISVL032
	3" x 24" Vent Length PPs-UV Black	ISVL032UV
	3" x 36" Vent Length	ISVL033
	3" x 39" Vent Length UV Black	ISVL0339UV
	3" x 72" Vent Length	ISVL036
	3"/5" Concentric Roof Termination PPs-UV	ICRT3539
	3"/5" Concentric Wall Termination PPs-UV	ICWT352
	3" to 2" Velocity Cone	ISVC0302

Miscellaneous		
Terminal	General PVC 1120 3" SCH 40 DWV ASTM D 2665 900 Elbow	
Air Intake Pipe	PVC 1120 3" SCH 40 DWV ASTM D 2665	
Vent Pipe	PVC 1120 3" SCH 40 DWV ASTM D 2665	

Vent Manufacturer Contact Information for Installation Instructions and Parts Lists:

**Heat-Fab**

Telephone: 800-772-0739  
Fax: 413-863-4803  
cystsvc@heat-fab.com  
www.heatfab.com

**IPEX**

Telephone: 800-463-9572  
905-403-0264  
Fax: 905-403-9195  
www.ipexamerica.com

**Simpson Dura-Vent**

Telephone: 518-463-7284  
Fax: 518-463-5271  
sales@duravent.com  
www.protechinfo.com

**Rinnai/Ubbink**

Telephone: 800-621-9419  
Fax: 678-829-1666  
www.rinnai.us

**York International**

Telephone: 405-364-4040  
877-874-7378  
www.york.com/products/unitary/

**CENTROTHERM Eco System**

Telephone: 877-434-3432  
Fax: 518-618-3166  
info@centrotherm.us.com  
www.centrotherm.us.com

## 20 Common venting guidelines

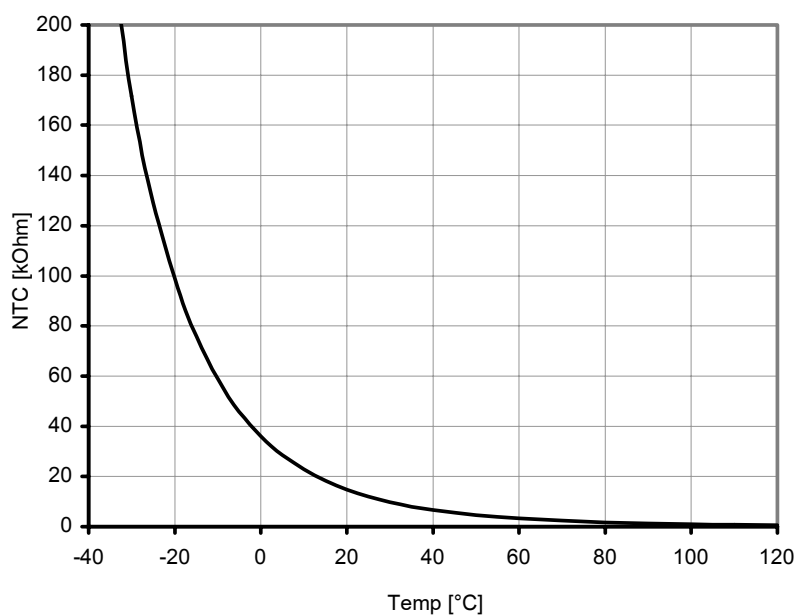
Do not common vent with the vent pipe of any other boiler or appliance. However, when an existing boiler is removed from a common venting system, the common venting system is likely to be too large for proper venting of the appliances remaining connected to it. At the time of removal of an existing boiler, the following steps shall be followed with each appliance remaining connected to the common venting system placed in operation, while the other appliances remaining connected to the common venting system are not in operation:

- (a) Seal any unused openings in the common venting system.
- (b) Visually inspect the venting system for proper size and horizontal pitch and determine there is no blockage or restriction, leakage, corrosion and other deficiencies which could cause an unsafe condition.
- (c) Insofar as is practical, close all building doors and windows and all doors between the space in which the appliances remaining connected to the common venting system are located and other spaces of the building. Turn on clothes dryers and any appliance not connected to the common venting system. Turn on any exhaust fans, such as range hoods and bathroom exhausts, so they will operate at maximum speed. Do not operate a summer exhaust fan. Close fireplace dampers.
- (d) Place in operation the appliance being inspected. Follow the lighting instructions. Adjust thermostat so appliance will operate continuously.
- (e) Test for spillage at the draft hood relief opening after 5 minutes of main burner operation. Use the flame of a match or candle, or smoke from a cigarette, cigar or pipe.
- (f) After it has been determined that each appliance remaining connected to the common venting system properly vents when tested as outlined above, return doors, windows, exhaust fans, fireplace dampers and any other gas burning appliance to their previous condition of use."
- (g) Any improper operation of the common venting system should be corrected so the installation conforms with the National Fuel Gas Code, ANSI Z223.1/NFPA 54 and/or CAN/CSA B149.1, Natural Gas and Propane Installation Code. When resizing any portion of the common venting system, the common venting system should be resized to approach the minimum size as determined using the appropriate tables in Appendix F in the National Fuel Gas Code, ANSI Z223.1/NFPA 54 and/or CAN/CSA B149.1, Natural Gas and Propane Installation Codes.

## Appendix A - Outdoor Reset Sensor Data

R 25 °C	12 kΩ
R 100 ° C	950 Ω
B <sub>25/85</sub>	3750 K
Temperature coefficient	-4,2 %/K

Temp [°C]	NTC [kOhm]
-30	171.70
-20	98.82
-10	58.82
0	36.10
10	22.79
20	14.77
25	12.00
30	9.81
40	6.65
50	4.61
60	3.25
70	2.34
80	1.71
90	1.27
100	0.95
110	0.73
120	0.56



## Appendix B - Resistance table NTC sensors

Temp  
°F

**NTC 12K  
(12kΩ /77°F)**

supply sensor T1  
return sensor T2  
DHW sensor T3  
outside sensor T4  
flue gas sensor T5

-4	98,000
-0.4	90,000
3.2	82,000
6.8	74,000
10.4	66,000
14	58,000
17.6	53,500
21.2	49,000
24.8	45,000
28.4	40,500
32	36,000
35.6	33,500
39.2	30,900
42.8	28,200
46.4	25,600
50	23,000
53.6	21,400
57.2	19,900
60.8	18,100
64.4	16,600
68	15,000
71.6	14,000
75.2	12,900
78.8	11,900
82.4	10,850
86	9,800
89.6	9,100
93.2	8,500
96.8	7,900
100.4	7,200
104	6,500
113	5,600
122	4,600
131	4,000
140	3,400
158	2,300
176	1,700
194	1,300

*Resistance table NTC-Sensors*

# Instructions d'installation & d'entretien

## Chaudière gaz à condensation haut rendement Q85SN/Q130SN/Q175SN/Q205SN/Q175CN Q85SP/Q130SP/Q175SP/Q205SP/Q175CP



Illustré: Q85SN, Q130SN  
Q85SP, Q130SP

### ATTENTION!

Lisez entièrement ce manuel avant l'installation, l'entretien, la mise en service ou l'utilisation de cette chaudière et du système d'évacuation fumées.

### AVERTISSEMENT!

Une installation, un réglage, une modification, une réparation ou un entretien non conforme peut entraîner des dommages matériels, des blessures corporelles (exposition à des matières dangereuses) ou la mort. Lisez attentivement le mode d'emploi fourni avec la chaudière. L'installation et l'entretien doivent être effectués par un professionnel agréé ou un service d'entretien qualifié ou le fournisseur de gaz (qui doit lire et respecter les instructions fournies avant de faire l'installation, l'entretien ou l'enlèvement de la chaudière et les respecter).

### ATTENTION!

Le manuel d'utilisation fait partie de la documentation fournie à l'opérateur de l'installation. Parcourez les informations de ce manuel avec le propriétaire/opérateur et assurez-vous qu'ils sont familiarisée avec toutes les instructions nécessaires pour le fonctionnement.

### REMARQUE!

**L'installation et l'entretien doivent être effectués par un professionnel agréé, un technicien d'entretien qualifié ou par le fournisseur de gaz.**



**AVERTISSEMENT! Assurez-vous de bien suivre les instructions données dans cette notice pour réduire au minimum le risque d'incendie ou d'explosion et pour éviter tout dommage matériel, toute blessure corporelle ou la mort.**

- Ne pas entreposer ni utiliser d'essence ni d'autres vapeurs ou liquides inflammables dans le voisinage de cet appareil ou de tout autre appareil.
- **QUE FAIRE SI VOUS SENTEZ UNE ODEUR DE GAZ:**
  - N'allumer aucun appareil.
  - Ne touchez à aucun interrupteur.
  - Ne pas vous servir des téléphones dans le bâtiment où vous vous trouvez.
  - Appelez immédiatement votre fournisseur de gaz depuis un voisin. Suivez les instructions du fournisseur.
  - Si vous ne pouvez joindre le fournisseur de gaz, appelez le service des incendies.

# Rinnai®

EXPERIENCE OUR INNOVATION™

Adresse: 103 International Drive, Peachtree City, GA, 30269  
Gratuit: 1-800-621-9419 • Fax: 678-829-1666 • www.rinnai.us



Ces instructions sont à conserver par l'utilisateur.

**Contenu des instructions**

Ces instructions d'installation contiennent d'importantes informations pour l'installation, le démarrage et la maintenance en toute sécurité des chaudières d'une capacité de 85 000 à 205 000 BTUH.

Ces instructions d'installation sont destinées aux professionnels agréés qui ont une connaissance suffisante et sont agréés pour travailler sur les systèmes de chauffage et de gaz.

**Susceptible de modifications techniques**

Des modifications peuvent être effectuées sur les illustrations, les étapes du processus et les données techniques résultant de notre politique d'amélioration continue.

**Mise à jour de la documentation**

Veuillez nous contacter si vous avez des suggestions d'améliorations ou de corrections.

Vous trouverez nos informations de contact au dos de ce manuel.

---

**Pour le manuel en français, consultez notre site internet [www.rinnai.us](http://www.rinnai.us)**

# Sommaire

1	Sécurité et instructions générales	106	7	Boilers d'eau chaude sanitaire externes	148
1.1	Utilisation prévue	106	8	Connexions électriques	149
1.2	Définitions des dangers	106	9	Commandes chaudière	153
1.3	Définition des symboles	106	9.1	Explication des touches de fonctions	154
1.4	Les instructions suivantes doivent être suivies	107	10	Démarrage : Remplissage et purge de la chaudière et de l'installation	155
1.5	Suivez ces instructions pour l'eau de chauffage des locaux	108	10.1	Exigences du circuit d'eau	155
1.6	Outils, matériel et équipement supplémentaires	109	10.2	Remplissage du circuit de chauffage	156
1.7	Manuels d'installation, d'entretien et d'utilisation importants	109	10.3	Production d'eau chaude (uniquement Q175C)	157
1.8	Mise au rebut	109	11	Réglages	159
2	Règlements et directives	109	11.1	Modification des réglages	159
3	Description de la chaudière	110	11.2	Activation des réglages d'usine (fonction touche vert)	162
4	Emballage et transport	111	12	Isoler de la chaudière	162
4.1	Contenu de la livraison	111	13	Mise en service	163
4.2	Transport	111	13.1	Recherche des fuites de gaz	164
5	Installation	112	13.2	Test du dispositif d'arrêt de sécurité de l'allumage	164
5.1	Exigences pour la chaufferie	112	13.3	Vérification de l'O <sub>2</sub> à puissance maximale (Étape 1/3)	165
5.2	Raccordement de la chaudière	113	12.3.1	Checking the O <sub>2</sub> a puissance minimale (Étape 2/3)	166
5.3	Dimensions	114	12.3.2	Réglages sur la vanne de gaz (Étape 3/3)	167
5.3.1	Kits hydraulique	117	13.4	Mesure du courant d'ionisation	168
5.3.2	Espaces autour de la chaudière	118	13.5	Installation de l'habillage	169
5.4	Spécifications techniques	119	14	Maintenance	169
6	Raccordement de la chaudière	120	14.1	Examen périodique des systèmes d'évacuation fumées et de la chaudière	169
6.1	Système de chauffage central	120	14.2	Inspection	169
6.1.1	Installation du kit hydraulique	122	14.2.1	Recherche visuelle des signes généraux de corrosion	170
6.1.2	Kit pour bouteille casse-pression montage latéral	126	14.2.2	Mesure du courant d'ionisation	170
6.1.3	Soupape de sûreté	126	14.2.3	Mesure de la pression du gaz d'entrée	170
6.1.4	Pressostat en cas de manque d'eau	126	14.2.4	Recherche des fuites de gaz	170
6.2	Vase d'expansion de chaudière	127	14.2.5	Réalisation d'un test de pression sur le système de chauffage	170
6.3	Système de chauffage par le sol (tuyaux en plastique)	127	14.2.6	Vérification des systèmes d'évacuation	170
6.4	Raccordement au gaz	128	14.3	Opérations de maintenance	171
6.4.1	Raccordement au gaz naturel	128	14.3.1	Reset du compteur des intervalles d'entretien	173
6.4.2	Raccordement au gaz propane	129	14.4	Garantie limitée	173
6.5	Alimentation en eau chaude (Chaudière combi Q175CN/Q175CP)	130	15	Pièces de la chaudière	174
6.5.1	Qualité de l'eau sanitaire	131	16	Blocages et erreurs	176
6.5.2	Accessoires de traitement d'eau sanitaire	131	16.1	Indications d'erreurs (références courtes)	176
6.5.3	Vase d'expansion ECS	131	16.1	Blocages	177
6.5.4	Installation d'un kit de vanne	131	16.3	Erreurs	178
6.5.5	Soupape de sûreté pour chaudières Combi	132	16.4	Autres erreurs	182
6.6	Evacuation condensats	133	18	Liste des pièces du système d'évacuation	184
6.7	Système d'évacuation fumées et d'aspiration air	133	18	Liste des pièces du système de ventilation	184
6.7.1	Directives aspiration / évacuation	134	19	Directives d'évacuation commune	186
6.7.2a	Exemples de systèmes concentriques	135	Annexe A	Données de la sonde extérieure de reset	187
6.7.2b	Exemples de systèmes parallèles	136	Annexe B	Tableau de résistance des sondes NTC	188
6.7.3	Installation du système d'évacuation	137			
6.7.3.1	Conversion chaudière de concentrique vers parallèle	138			
6.7.3.1	Installer le filtre à air	138			
6.7.4	Position recommandée des terminaux évacuation/aspiration	139			
6.7.5	Installation évacuation directe en placard ou en alcôve	141			
6.7.6	Dimensionnement du conduit d'évacuation fumées et d'aspiration air	142			
6.7.7	Longueurs des conduits d'air de combustion et d'évacuation fumées	143			
6.7.8	Calcul du facteur de compensation	144			
6.7.9	Système d'air ambiant (air de combustion intérieur- configuration C)	145			

# 1 Sécurité et instructions générales

Veillez observer ces instructions dans l'intérêt de votre propre sécurité.

## 1.1 Utilisation prévue

La chaudière est conçue pour chauffer de l'eau pour un circuit de chauffage central et, si d'application, pour produire de l'eau chaude sanitaire. La chaudière est livrée avec une commande brûleur (MCBA) préinstallée. La chaudière peut être équipée d'une sonde de reset extérieure modulante ARV12 (livrée avec la chaudière), ou d'un thermostat Marche/Arrêt ou d'un interrupteur de fin de course du panneau de relais (accessoires).

## 1.2 Définitions des dangers

Les termes définis ci-après sont utilisés dans toute la documentation pour attirer l'attention sur la présence de dangers de divers niveaux de risque. Des remarques donnent d'importantes informations sur le fonctionnement du produit.



**DANGER**

### **DANGER:**

Indique la présence de dangers qui peuvent provoquer des blessures corporelles graves, la mort ou des dégâts matériels importants.



**AVERTISSEMENT**

### **AVERTISSEMENT :**

Indique la présence de dangers qui peuvent provoquer des blessures corporelles graves, la mort ou des dégâts matériels importants.



**ATTENTION**

### **ATTENTION :**

Indique la présence de dangers qui vont ou peuvent provoquer des blessures corporelles mineures ou des dégâts matériels.



**ATTENTION**

### **ATTENTION :**

Risque de choc électrique. Indique la présence de dangers dus à un choc électrique.



**REMARQUE**

### **REMARQUE :**

Indique des instructions particulières sur l'installation, le fonctionnement ou la maintenance qui sont importantes mais non liées à des blessures corporelles ou des dégâts matériels.

## 1.3 Définition des symboles

Les symboles (sécurité) ci-après peuvent apparaître dans ces instructions d'installation et sur l'appareil :



**Ce symbole indique que l'appareil doit être entreposé à l'écart des conditions de gel.**



**Ce symbole indique que l'emballage et/ou le contenu peuvent être endommagés à cause de négligence pendant le transport.**



**Ce symbole indique que, lorsqu'il est encore dans son emballage, l'appareil doit être protégé des conditions météorologiques pendant le transport et l'entreposage.**

## 1.4 Les instructions suivantes doivent être suivies

- La chaudière ne doit être utilisée que pour son usage prévu, tel que décrit dans les instructions d'installation.
- Chaque appareil est équipé d'une plaque signalétique. Consultez les détails de cette plaque pour vérifier si la chaudière est conforme à son emplacement prévu, par exemple : type de gaz, source d'alimentation et classification d'évacuation.
- N'utilisez la chaudière qu'avec les accessoires et les pièces de rechange indiqués dans la liste.
- Les autres combinaisons, accessoires et consommables ne peuvent être utilisés que s'ils sont spécifiquement désignés pour l'application prévue et n'affectent pas les performances du système et les conditions de sécurité.
- La maintenance et les réparations doivent être effectuées par des professionnels agréés.
- L'installation d'une chaudière à gaz à condensation doit être signalée à la société de distribution de gaz concernée et avoir été agréée.
- Vous n'êtes autorisé à faire fonctionner la chaudière gaz à condensation qu'avec le système d'évacuation spécialement conçu et agréé pour ce type de chaudière
- Veuillez noter que l'autorisation locale pour le système d'évacuation fumées et le raccordement de l'évacuation des condensats au réseau public d'égouts peut être exigée.

Vous devez également respecter :

- Les codes locaux du bâtiment qui stipulent les règles d'installation.
- Les codes locaux du bâtiment concernant les systèmes d'aspiration air et évacuation fumées et le raccordement de la cheminée.
- Les règlements pour le raccordement de l'alimentation électrique.
- Les règles techniques établies par la société de distribution de gaz concernant le raccordement du gaz au seueur gaz local.
- Les instructions et les normes concernant le matériel de sécurité pour le système de chauffage de l'eau/des locaux.
- Les instructions d'installation pour les installations de chauffage des bâtiments.
- La chaudière doit être située dans une zone où des fuites à la chaudière ou aux raccordements n'entraînent pas de dommage à la zone adjacente à la chaudière ou aux étages inférieurs de la structure. Si ces emplacements ne peuvent être évités, il est recommandé d'installer un bac adéquat pour l'évacuation sous la chaudière.
- La chaudière doit être installée de sorte que tous les composants soient protégés de l'eau (gouttes, pulvérisation, pluie, etc.) pendant le fonctionnement et l'entretien de la chaudière.
- La chaudière ne doit pas être installée sur ou contre de la moquette.
- Ne pas restreindre ou condamner les ouvertures d'aspiration air ou d'évacuation fumées
- Si vous constatez un défaut quelconque, vous devez informer le propriétaire du système du défaut et du danger associé par écrit.



**AVERTISSEMENT**

**Le fait de ne pas effectuer une mise en service appropriée de la chaudière telle que décrite à la section 13 peut provoquer un fonctionnement peu fiable du brûleur, une vie réduite des composants et un fonctionnement dangereux de la chaudière.**



**DANGER**

**DANGER. Le gaz est inflammable et peut provoquer une explosion. Attention aux odeurs de gaz : il peut y avoir un danger d'explosion !**

Assurez-vous de bien suivre les instructions données dans cette notice pour réduire au minimum le risque d'incendie ou d'explosion pouvant causer des dommages matériels, des blessures corporelles ou la mort.

**AVERTISSEMENT**

- Ne pas entreposer ni utiliser d'essence ni d'autres vapeurs ou liquides inflammables dans le voisinage de cet appareil ou de tout autre appareil.

**QUE FAIRE SI VOUS SENTEZ UNE ODEUR DE GAZ:**

- Ne pas tenter d'allumer d'appareils.
- Ne touchez à aucun interrupteur.
- Ne pas vous servir des téléphones dans le bâtiment où vous vous trouvez.
- Appelez immédiatement votre fournisseur de gaz depuis un voisin. Suivez les instructions du fournisseur.
- Si vous ne pouvez joindre le fournisseur de gaz, appelez le service des incendies.

**AVERTISSEMENT**

**En cas de surchauffe ou si l'alimentation gaz ne se ferme pas, ne pas couper ni débrancher l'alimentation électrique de la pompe. Fermez plutôt l'alimentation en gaz à un endroit à l'extérieur de la chaudière.**

**REMARQUE**

**Les substances chimiques corrosives naturellement sont pas peuvent être stockés ou utilisés près de la chaudière ou le termination d'évacuation fumées.**

## 1.5 Suivez ces instructions pour l'eau de chauffage des locaux

De l'eau non adaptée au système de chauffage peut provoquer la formation de tartre ou de boue qui affectent l'efficacité de l'installation. Elle peut également provoquer de la corrosion et réduire la durée de vie de l'échangeur de chaleur.

- Vous devez suivre les directives de Rinnai pour la qualité de l'eau de la chaudière.
- Rincez soigneusement l'installation avant de la remplir.
- Suivez les instructions de nettoyage de Rinnai.
- N'utilisez jamais d'eau traitée par osmose inverse, ni d'eau dé-ionisée ou distillée pour adoucir l'eau pour remplir l'installation de chauffage.
- N'utilisez pas d'inhibiteurs ou d'autres additifs sauf ceux agréés par Rinnai pour cet usage!
- Lorsque vous voulez protéger l'installation de chauffage contre le gel, n'utilisez que des antigels agréés par Rinnai. La concentration autorisée est 50% maximum.
- Si vous utilisez des tuyaux perméables à l'oxygène, par exemple pour des systèmes de chauffage par le sol, vous devez séparer le circuit de la chaudière au moyen d'échangeurs de chaleur à plaques.
- Fermez le robinet de la chaudière lorsque vous rincez l'installation, n'introduisez pas de nettoyant système dans la boucle de la chaudière. Rincez soigneusement l'installation pour retirer tout le nettoyant avant de remplir la chaudière.

<b>Antigels agréés:</b> <b>(concentration max. 50%)</b>	• Rhomar RhoGard Mutli-Metal (AL safe) • Noble Noburst AL	• Sentinel X500 • Fernox Alphi 11
--	--	--------------------------------------

<b>Nettoyants système agréés:</b>	• Noble Noburst Hydronic System Cleaner • Rhomar Hydro-Solv 9100	• Fernox F3 Cleaner • Sentinel X400
-----------------------------------	---	--

**REMARQUE**

**Les nettoyants pour circuit de NoBurst, Rhomar et Fernox ne doivent pas être utilisés dans la chaudière. La chaudière doit être isolée par des vannes (fermées) du reste du circuit ou débranchée, tant que du nettoyant se trouve dans le circuit. Le circuit doit être vidangé puis soigneusement rincé à l'eau propre pour évacuer tout le nettoyant du circuit.**

<b>Inhibiteurs agréés:</b>	• Rhomar Pro-tek 922 • Noble Noburst AL inhibiteur	• Sentinel X100
----------------------------	---	-----------------

Voir les informations supplémentaires dans le manuel d'application de la chaudière Rinnai ou les chapitres 6 et 10 de ce manuel.

**REMARQUE**

**Si des problèmes se produisent lors de l'utilisation d'eaux sanitaires avec une teneur en chlore supérieure à 150 mg/l, aucun recours aux termes de la garantie limitée n'est possible.**

## 1.6 Outils, matériel et équipement supplémentaires

Pour l'installation et la maintenance de la chaudière, il vous faut :

- des outils standards pour le chauffage des locaux et les raccordements gaz et eau
- un manomètre numérique capable de lire les pressions positives et négatives
- un analyseur de combustion  
(destiné à être utilisé avec des chaudières à condensation)
- un multimètre numérique
- un pH-mètre numérique
- des clés Allen métriques
- des clés à douille métriques

En outre, un chariot à main avec une sangle de maintien est utile.

Pour la maintenance de la chaudière, il vous faut, outre l'outillage standard pour le chauffage de locaux, et les raccordements gaz et eau, les éléments suivants :

- Trousse à outils Rinnai de série Q et E

## 1.7 Manuels d'installation, d'entretien et d'utilisation importants

- Système d'évacuation approuvé
- Manuel d'application des chaudières Rinnai

## 1.8 Mise au rebut

- Jetez l'emballage de la chaudière de manière écologique.
- Jetez les composants du système de chauffage (par exemple la chaudière ou le dispositif de commande) qui doivent être remplacés de manière responsable pour l'environnement.

## 2 Règlements et directives

L'installation doit être conforme aux exigences de l'autorité compétente ou, en l'absence de ces exigences, à la dernière édition du Code National du Gaz combustible, ANSI Z223.1/NFPA 54. Au Canada, l'installation doit être conforme aux exigences du code d'installation du gaz naturel et du propane CAN/CSA B149.1.

Lorsque c'est exigé par l'autorité compétente, l'installation doit être conforme à la Norme ANSI/ASME CSD-1 pour les dispositifs de Commande et de Sécurité pour les chaudières à allumage automatique.

Installez des détecteurs de CO conformément à la réglementation locale. La chaudière doit être inspectée tous les 2 ans ou 4000 heures et entretenue tous les 4 ans ou 8000 heures. Voir la section maintenance au chapitre 14.

Limites de fonctionnement de la chaudière :

Température max. de la chaudière : 176 °F (80 °C)

Pression max. de fonctionnement : 45 psi (3 bar)

Température max. de fonctionnement autorisée par l'ASME : 200 °F (93 °C)

Pression max. de fonctionnement autorisée par l'ASME : 45 psi (3 bar)

Le système de production d'eau chaude doit être conforme à tous les codes et règlements applicables. Lors du remplacement d'une chaudière existante, il est important de vérifier l'état de tout le système de distribution d'eau chaude pour s'assurer d'un fonctionnement en toute sécurité.

### 3

## Description de la chaudière

### Chaudière à chambre étanche

La chaudière aspire son air de combustion de l'extérieur puis évacue les fumées vers l'extérieur.

### Condensation

Récupère autant que possible la chaleur des fumées. L'eau se condense sur l'échangeur de chaleur.

### Modulation

Combustion continue plus ou moins forte selon la demande de chaleur.

La chaudière Rinnai Q est une chaudière à condensation étanche (configuration C) et modulante, avec un boiler ECS intégré en option (ECS intégrée uniquement sur la Q175C). Les modèles de chaudières QxxS ont la possibilité de commander un boiler indirect.

La chaudière est équipée d'un échangeur de chaleur compact en acier inoxydable à tubes lisses. Cette conception est un principe bien étudié utilisant des matériaux durables.

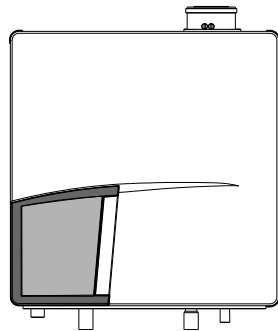
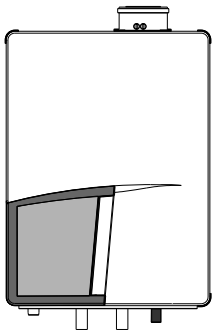
La chaudière brûle du gaz pour fournir de la chaleur. La chaleur est transférée dans l'échangeur de chaleur vers l'eau dans le circuit de chauffage central. Par refroidissement des fumées, se forme de la condensation. Ceci permet un haut rendement. Les condensats, qui n'ont aucun effet sur l'échangeur de chaleur et le fonctionnement de la chaudière, sont évacués par le purgeur collecteur de condensats.

La chaudière est équipée d'un système de commande intelligent (SGC Système de gestion des commandes). La chaudière anticipe la demande de chaleur du système de chauffage central ou du système de production d'eau chaude sanitaire.

Lorsqu'une sonde extérieure est raccordée à la chaudière, celle-ci fonctionne suivant les conditions météorologiques à l'aide d'une réinitialisation extérieure. Cela signifie que la commande chaudière mesure la température extérieure et la température départ. Grâce à ces données, la chaudière calcule la température départ optimale pour l'installation.

Explication de l'indication du type : Rinnai Q205SN  
 Q = Type \_\_\_\_\_  
 205 = Charge nominale en (x1,000) BTU \_\_\_\_\_  
 S = Système/Solo (C = Combi) \_\_\_\_\_  
 N = Gaz naturel (P = Gaz propane) \_\_\_\_\_

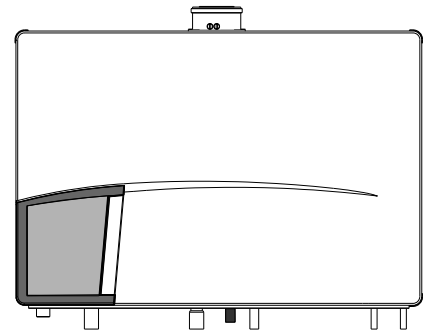
Différents types de chaudières:



Chaudières Système/Solo:

Q85SN, Q130SN  
 Q85SP, Q130SP

Q175SN, Q205SN  
 Q175SP, Q205SP



Chaudières Combi avec boiler d'ECS intégré  
 Q175CN  
 Q175CP

## 4 Emballage et transport

### 4.1 Contenu de la livraison

La chaudière est livrée prête à être utilisée.

- Veuillez vérifier si l'emballage est intact.
- Vérifiez si tous les éléments de la liste sont inclus dans la livraison.

Le kit fourni contient :

Description	Nombre		
	Q85S Q130S	Q175S Q205S	Q175C
<b>Chaudière avec:</b>			
Sonde extérieure ARV12	1	1	1
Anneau bicon Ø15 laiton			4
Anneau bicon Ø22 laiton			2
Anneau bicon Ø28 laiton	2		
Anneau bicon Ø35 laiton		2	2
Boulon M5X16mm	1	1	1
Chapeau aspiration air Ø120/Ø80	1	1	1
Joint système d'évacuation ø80	1	1	1
Sécurité traction de câble alim. Series Q	1	1	1
Tuyeau de vent. Ø 80 PP	1	1	1
Ecrou 15mm raccord bicon			2
Ecrou W1.1/8"x1/14 22 raccord bicon			1
Ecrou W1.3/8"x1/14 28 raccord bicon	2		
Ecrou W1.610x1/14 35 raccord bicon		2	2
Vis 6X60mm	5	5	5
Joint à lèvres conduit fumées ø80	1	1	1
Passage + bouchon fumées	1	1	1
Capuchon purgeur	1	1	1
Raccord adaptateur 15mm x 3/4"NPT ext.			2
Raccord adaptateur 22mm x 3/4"NPT ext.			1
Adaptateur d'évac.fumées Ø80/Ø3" PPS UL ε	2	2	2
Restriction de débit MR01 FG 21,0L rouge			1
Support de montage mural	1	1	1
Kit hydraulique Q85S/Q130S	1	1	
Kit hydraulique Q175S/Q175C/Q205S			1
Vanne gaz 3/4"	1	1	1
Gabarit à l'intérieur du carton	1	1	1
Instructions d'installation & d'entretien	1	1	1
Mode d'emploi utilisateur	1	1	1
Document de garantie	1	1	1
Livre d'ICSL	1	1	1

### 4.2 Transport



#### ATTENTION

**La chaudière peut être endommagée si elle n'est pas correctement sécurisée.**

- Ne transportez la chaudière qu'au moyen d'un équipement de transport approprié, comme un chariot manuel avec une sangle de maintien ou un équipement spécial pour monter des marches.
- Pour son expédition la chaudière doit être sécurisée sur l'équipement de transport pour l'empêcher de chuter.
- Protégez toutes les pièces contre les chocs si elles doivent être transportées.
- Suivez les marquages de transport sur l'emballage.

- Les chaudières emballées doivent toujours être soulevées et transportées par deux personnes, ou bien vous devez utiliser un chariot manuel ou un équipement spécial pour le transport.

## 5 Installation

### 5.1 Exigences pour la chaufferie



#### DANGER

- La pièce dans laquelle la chaudière doit être installée doit toujours être protégée des conditions de gel.
- N'entrez pas ou n'utilisez pas d'essence ni d'autres vapeurs et liquides inflammables à proximité de cet appareil ou de tout autre appareil.
- N'utilisez ou n'entrez jamais de détergents chlorés ou d'hydrocarbures halogénés (par exemple, en aérosols, des solvants et des détergents, des peintures, des adhésifs) à proximité de la chaudière.
- La chaudière doit être installée de façon à être protégée de l'eau (gouttes, pulvérisation, pluie, etc.) pendant son fonctionnement et son entretien (remplacement circulateur, évacuation condensats, remplacement commande, etc.)
- Cette chaudière est uniquement destinée à être installée à l'intérieur.

#### Produits à éviter dans la chaufferie et/ou à proximité de l'aspiration air de combustion

Aérosols contenant des chloro-/fluorocarbures  
 Ammonium et/ou solutions d'ammonium  
 Solutions à permanente (produits pour les cheveux)  
 Cires et/ou nettoyants chlorés  
 Produits chimiques pour piscines à base de chlore  
 Chlorure de calcium utilisé pour la décongélation  
 Chlorure de sodium utilisé pour l'adoucissement de l'eau  
 Fuites de fluide frigorigène  
 Décapants pour peintures ou vernis  
 Acide chlorhydrique/acide muriatique  
 Ciments et colles et colles fortes  
 Assouplisseurs antistatiques pour textiles utilisés dans les sèche-linge  
 Produits blanchissants de type chlore, détergents et solvants de nettoyage trouvés dans les buanderies familiales  
 Adhésifs utilisés pour fixer des produits de construction et autres produits similaires

#### Zones susceptibles de contenir des contaminants

Zones et établissements de nettoyage à sec/buanderie  
 Piscines  
 Usines de fabrication de métaux  
 Salons de beauté  
 Ateliers de réparation de réfrigération  
 Usines de traitement de photos  
 Ateliers de carrosserie  
 Usines de fabrication de plastiques  
 Zones et établissements de remise à neuf de mobilier  
 Construction de bâtiments neufs  
 Zones de remaniement  
 Garages avec ateliers

## 5.2 Raccordement de la chaudière



### REMARQUE

- Retirez le matériel d'emballage.
- **Ne déchirez pas l'emballage. Repérez la présence du gabarit de montage à l'intérieur de l'emballage en carton.**
- **Posez la chaudière sur le dos pendant son déballage. Lors du déballage, l'habillage peut être retiré de la chaudière. Cette partie peut être conservée à l'écart pendant l'installation. Elle doit être placée sur la chaudière et fixée à l'aide de la vis située derrière la porte, avant la mise en marche de la chaudière.**



### REMARQUE

**Tournez la chaudière sur le côté et retirez le support mural de l'arrière de la chaudière en enlevant les 2 vis.**

La chaudière peut être montée pratiquement sur tous les murs avec le support de montage et le matériel de montage fourni.

- Le mur doit être plat et suffisamment résistant pour supporter le poids de la chaudière avec son contenu d'eau en toute sécurité.
- Veillez à garder l'espace nécessaire autour de la chaudière pour l'installation du système d'évacuation, de la tuyauterie et pour l'entretien. Voir les schémas en paragraphe 5.3.

L'emplacement de la chaudière peut être déterminé à l'aide du gabarit qui est imprimé à l'intérieur de l'emballage de la chaudière. N'oubliez pas de prendre en compte l'encombrement du kit hydraulique.

- Percez les trous nécessaires à l'aide du gabarit.
- Installez le support de montage au mur à l'aide du matériel de montage fourni.



### ATTENTION

#### **Précautions pour soulever et transporter.**

**Pour éviter toute blessure corporelle, veuillez suivre ces recommandations :**

- **Soulevez toujours la chaudière à 2 personnes ou utilisez un équipement spécial.**
- **En soulevant la chaudière, pliez les genoux et maintenez votre dos droit et les pieds écartés.**
- **Ne pas soulever et tourner en même temps.**
- **Soulevez et portez la chaudière près du corps.**
- **Portez des vêtements de protection et des gants pour vous protéger des extrémités tranchantes.**

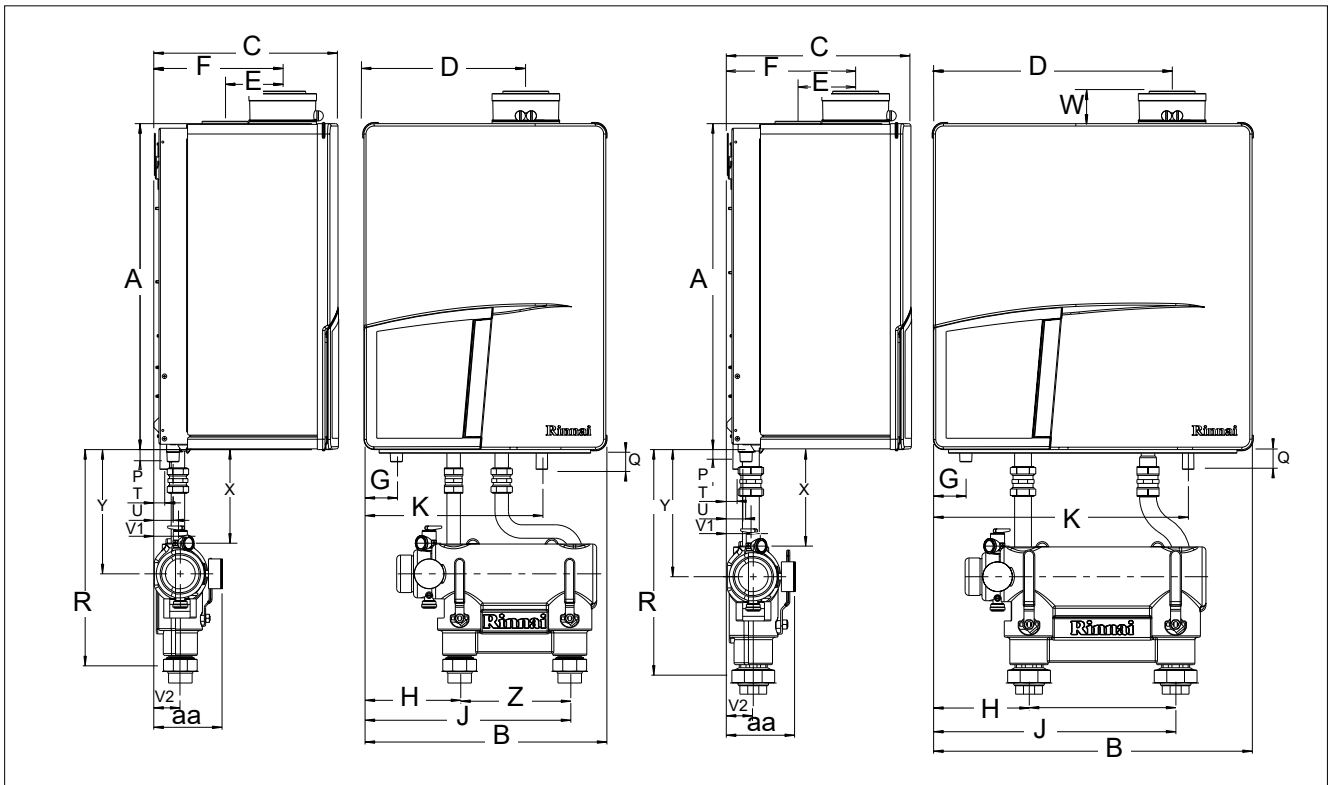


### AVERTISSEMENT

**Ne soulevez la chaudière que par sa paroi arrière.**

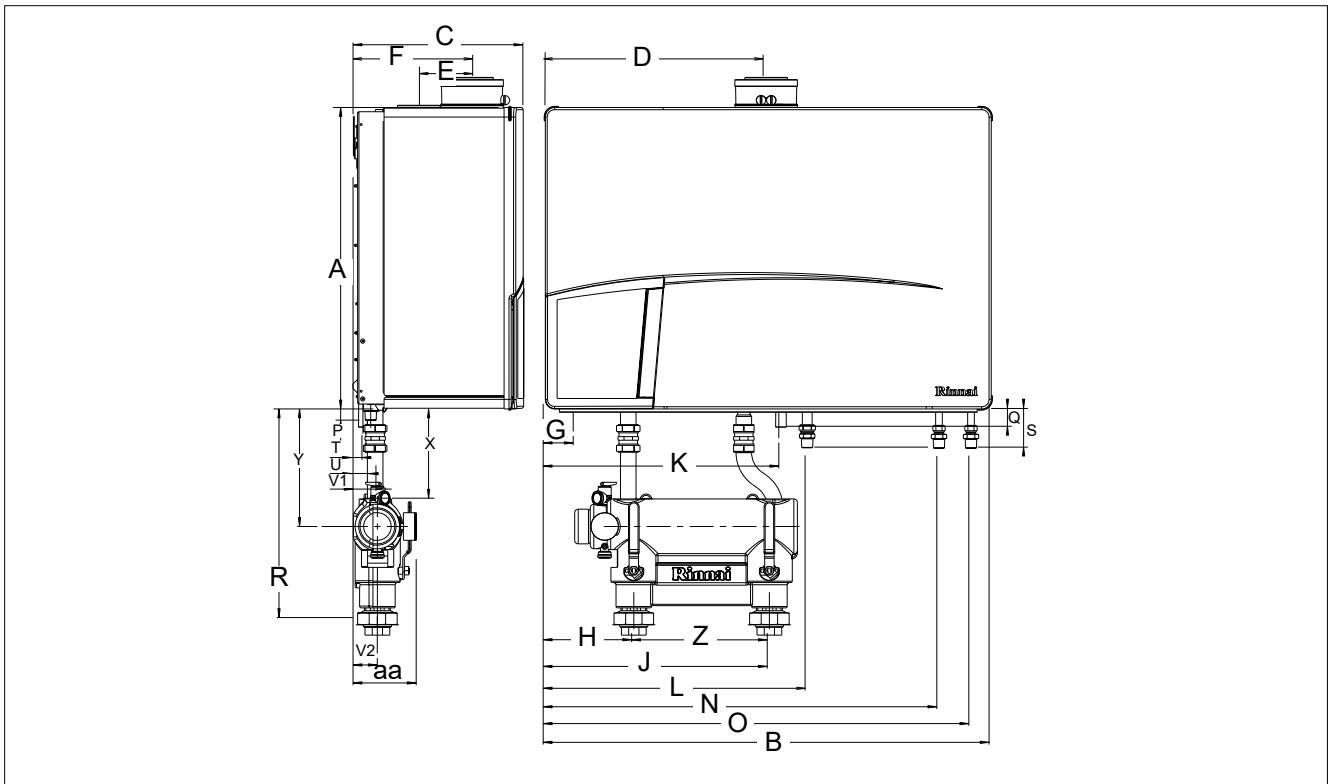
- Jetez les matériaux d'emballage.

## 5.3 Dimensions



dimensions Q85S, Q130S, Q175S et Q205S

figure 1



dimensions Q175C

figure 2

## Dimensions

Type de chaudière	Solo		Combi
	Q85SN/Q85SP Q130SN/Q130SP	Q175SN/Q175SP Q205SN/Q205SP	Q175CN/Q175CP
	inch / mm	inch / mm	inch / mm
A Hauteur	26.8" / 680	26.8" / 680	26.8" / 680
B Largeur	19.7" / 500	26" / 660	39.4" / 1000
C Profondeur	15.2" / 385	15.2" / 385	15.2" / 385
D Côte gauche / évacuation	13.2" / 335	19.5" / 495	19.5" / 496
E d'axe en axe évacuation et aspiration air	4.7" / 120	4.7" / 121	4.7" / 122
F Arrière / évacuation	10.6" / 270	10.6" / 270	10.6" / 270
G Côte gauche / conduite gaz	2.6" / 65	2.6" / 65	2.6" / 65
H Côte gauche / conduite départ CC	7.8" / 199	7.8" / 199	7.8" / 199
J Côte gauche / conduite retour CC	16.8" / 428	19.8" / 504	19.8" / 504
K Côte gauche / conduite condensats	14.6" / 370	20.9" / 530	20.9" / 530
L Côte gauche / conduite vase d'expansion			23.2" / 590
N Côte gauche / conduite eau froide			34.8" / 885
O Côte gauche / conduite eau chaude			37.6" / 955
P Longueur conduite de g*	0.7" / 18	0.7" / 18	0.7" / 18
Q Longueur conduite de c*	2" / 50	2" / 50	2" / 50
R Longueur conduite de f et r*	17.7" / 450	18.5" / 470	18.5" / 470
S Longueur conduite de e, k et w*			3.5" / 89
T Arrière / Axe de conduite c*	1" / 25	1" / 25	1" / 25
U Arrière / Axe de conduite g*	1.6" / 40	1.6" / 40	1.6" / 40
V1 Arrière / Axe de conduite f, r, e, k et w*	2" / 50	2" / 50	2" / 50
V2 Arrière / Axe de conduite f et r*	2.1" / 54	2.1" / 54	2.1" / 54
W Longueur conduite d'évacuation co-axial	2.6" / 65	2.6" / 65	2.6" / 65
Longueur conduite d'évacuation parallèle	5.8" / 147	5.8" / 147	5.8" / 147
X Dessous chaudière/ axe vanne de sécurité	7.7" / 195	8" / 200	8" / 200
Dessous chaudière/ axe bouteille casse-pression	10.2" / 260	10.4" / 265	10.4" / 265
Y			
Z d'axe en axe de f et r*	9" / 229	12" / 305	12" / 305
aa Profondeur kit hydraulique	5.6" / 142	5.6" / 142	5.6" / 142

\*) Voir figure 3

dimensions

tableau 1

## Dimensions

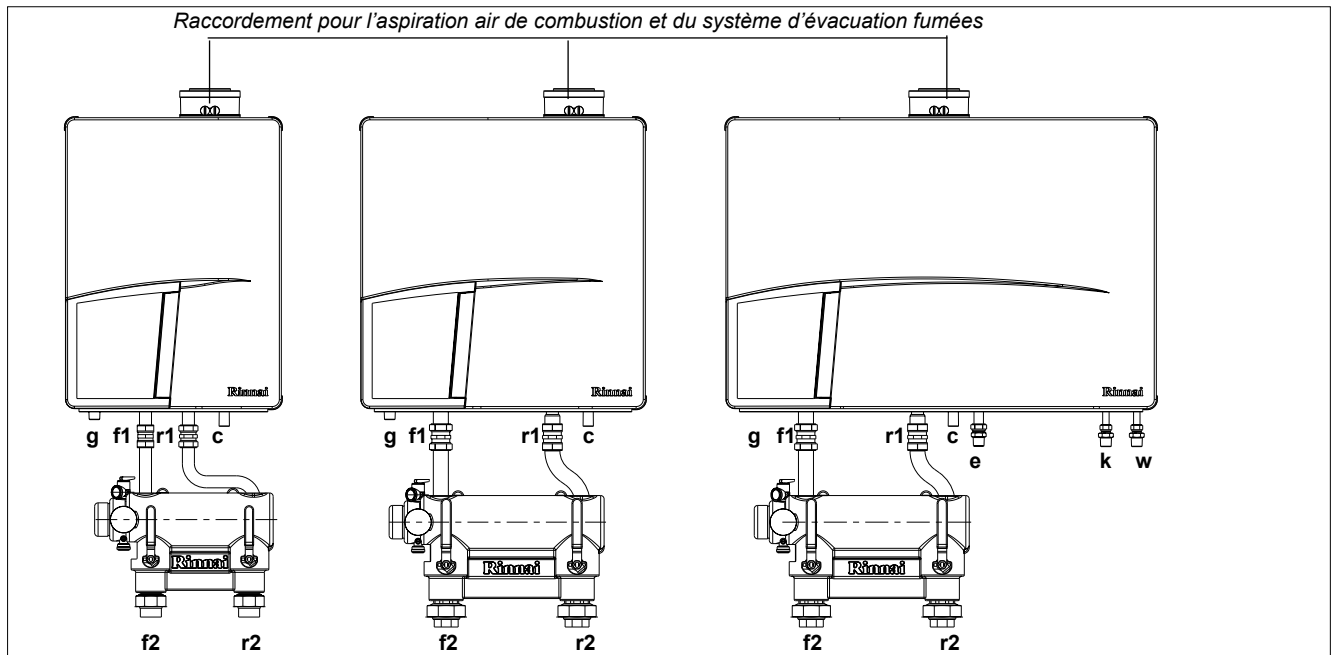


figure 3

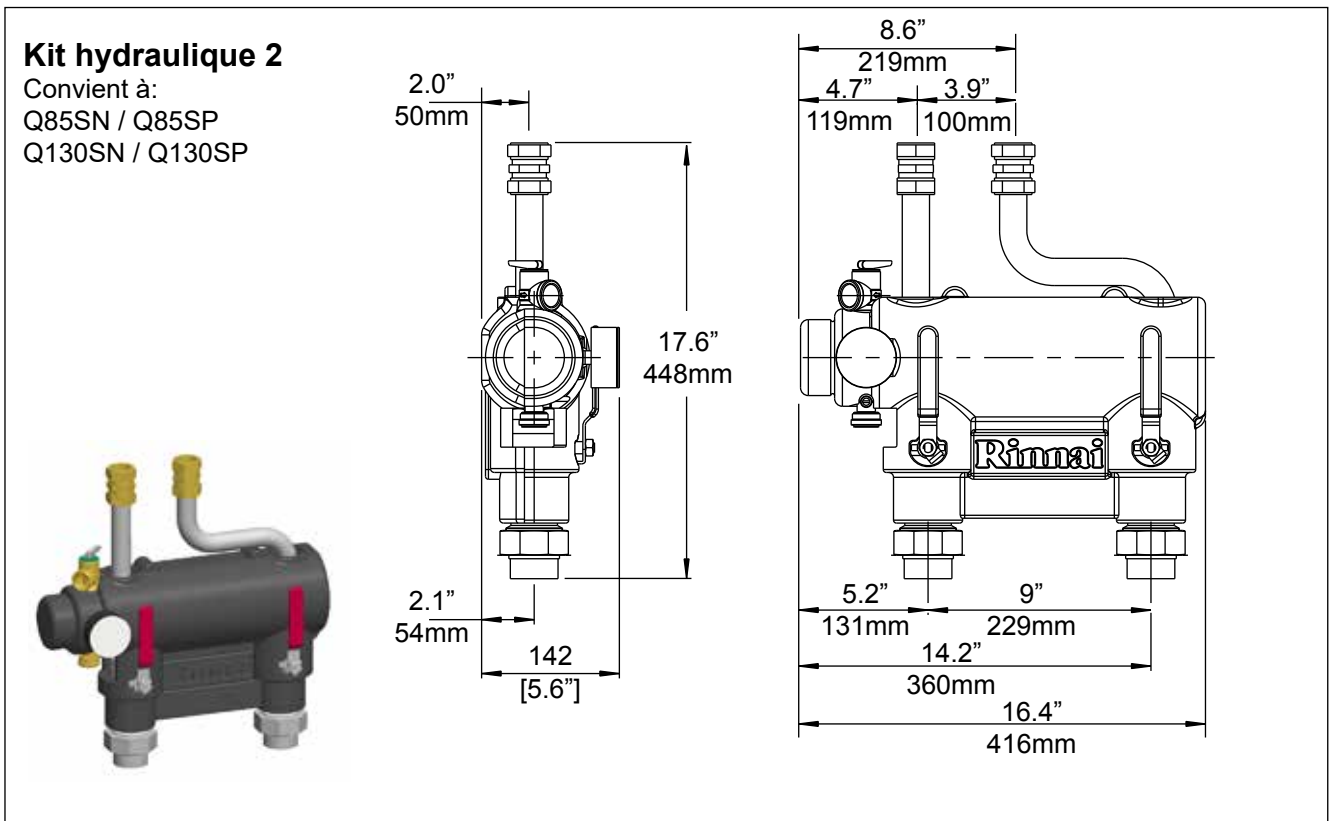
Type de chaudière	Solo		Combi
	Q85SN/Q85SP Q130SN/Q130SP	Q175SN/Q175SP Q205SN/Q205SP	Q175CN/Q175CP
Évacuation / Aspiration air	80/125mm	80/125mm	80/125mm
Conduite gaz	g 3/4"M-NPT	3/4"M-NPT	3/4"M-NPT
Conduite départ CC	côté chaudière - f1 28mm	35mm	35mm
	côté système - f2 1¼"M-NPT	1½"M-NPT	1½"M-NPT
Conduite retour CC	côté chaudière - r1 28mm	35mm	35mm
	côté système - r2 1¼"M-NPT	1½"M-NPT	1½"M-NPT
Conduite condensation	c 0.95" / 24mm	0.95" / 24mm	0.95" / 24mm
Conduite vase d'expansion	e		0.87"x ¾"M-NPT / 22mm
Conduite eau froide	k		0.6"x ¾"M-NPT / 15mm
Conduite eau chaude	w		0.6"x ¾"M-NPT / 15mm
Conduite départ boiler indirect. <i>En cas de vanne 3 voies interne en option.</i>	t 1"M-NPT		

Diamètre des raccords

tableau 2

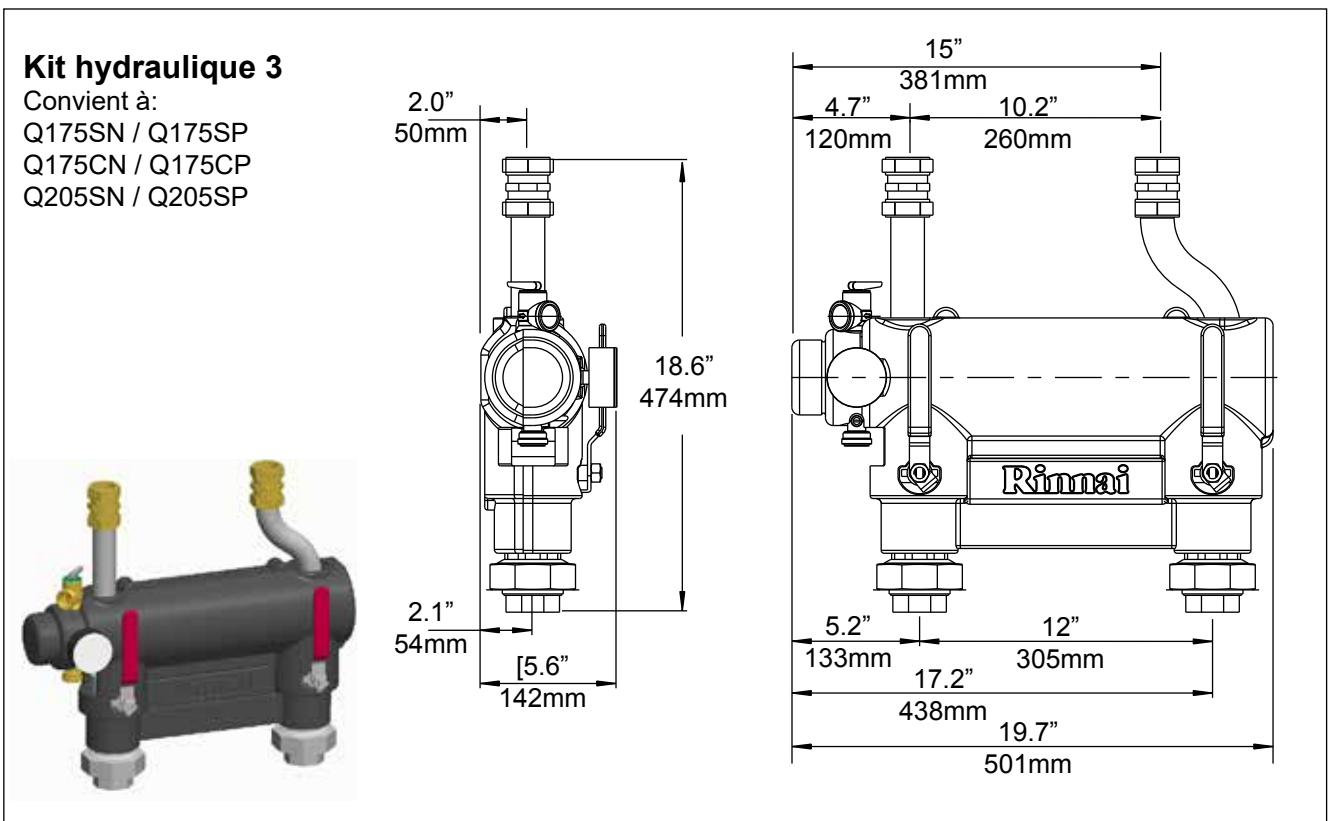
## 5.3.1 Kits hydraulique

Rinnai équipe chaque type de chaudière d'un kit hydraulique. Vous trouverez ci-après les dimensions. Voir les informations supplémentaires au Chapitre 6.1.



kit hydraulique 2

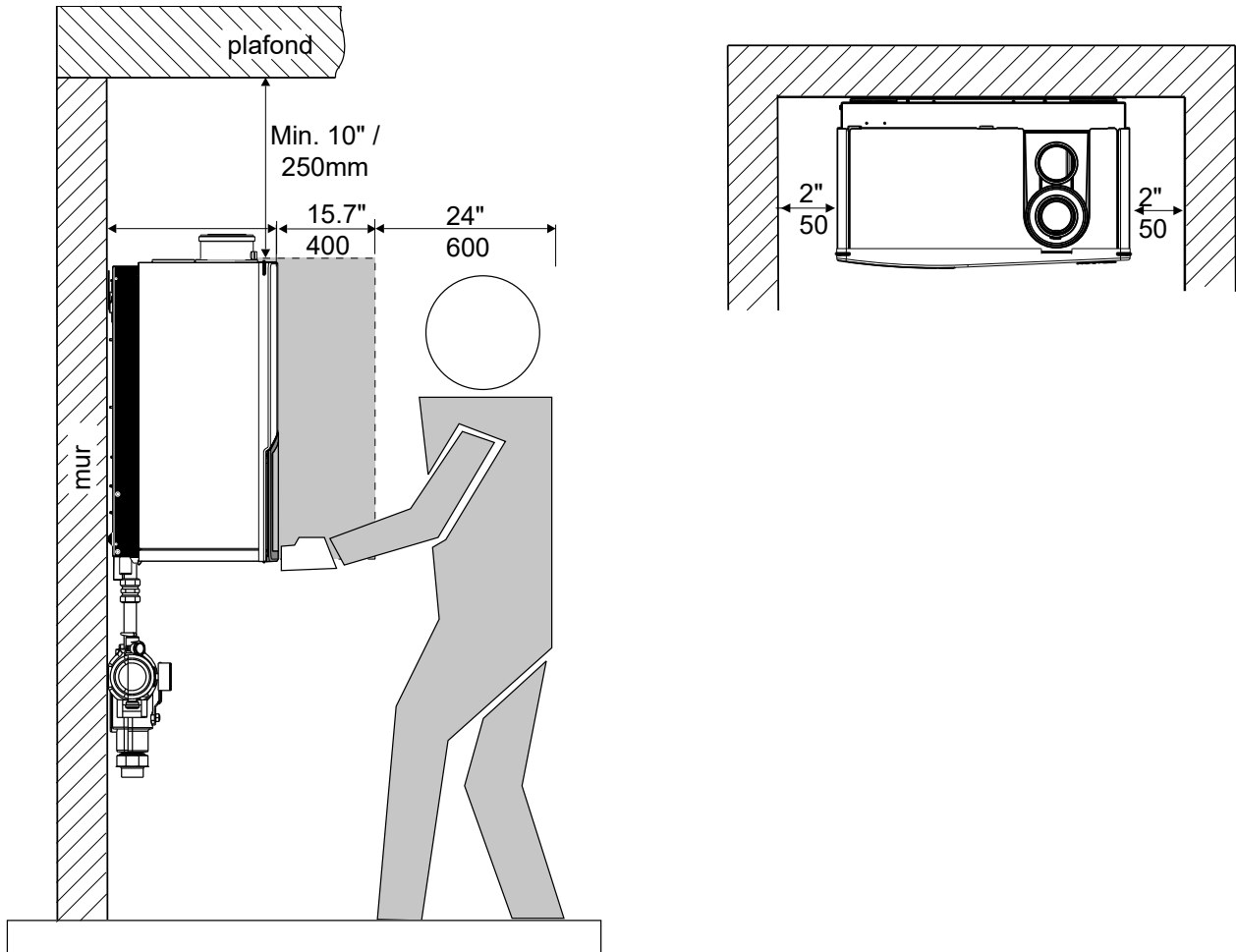
figure 4



kit hydraulique 3

figure 5

## 5.3.2 Espaces autour de la chaudière



Espaces autour de la chaudière

figure 6

	Espaces minimum autour jusqu'aux combustibles	Espaces minimum autour jusqu'aux non-combustibles	Espaces recommandés autour pour l'entretien
	Tous types	Tous types	Tous types
	inch / mm	inch / mm	inch / mm
Dessus chaudière	2" / 50	2" / 50	10" / 250
Arrière chaudière	0"	0"	0
Devant chaudière	6" / 150	6" / 150	24" / 600
Côté gauche chaudi	2" / 50	2" / 50	2" / 50
Côté droite chaudièr	2" / 50	2" / 50	2" / 50
Sol / Terre jusqu'au fond de la chaudière	12" / 300	12" / 300	30" / 762
Sol / Terre jusqu'au fond de la bouteille casse-pression	0"	0"	12" / 300
Évacuation	0"	0"	0"

Espaces autour de la chaudière

tableau 3

Installation dans un placard : L'espace est de 1" / 25 mm vers l'avant.

### Bouteille casse-pression

L'espace vers le combustible et le non combustible est de 0 pouce pour les côtés, le dessus, l'avant et le sol/ terre.

L'espace recommandé pour l'entretien jusqu'au fond de la bouteille casse-pression est de 12" / 300mm.

## 5.4 Spécifications techniques

Type de chaudière		Séries Q				
		Combi Q175CN Q175CP	Q85SN Q85SP	Q130SN Q130SP	Q175SN Q175SP	Q205SN Q205SP
Entrée CC	BTU/hr	175,000	85,000	130,000	175,000	205,000
	kW	51	25	38	51	60.0
Entrée ECS	BTU/hr	175,000	N/A	N/A	N/A	N/A
	kW	51	N/A	N/A	N/A	N/A
Capacité de chauffage	BTU/hr	162,000	78,000	119,000	162,000	186,000
	kW	47.5	22.9	34.9	47.5	54.5
O <sub>2</sub> (à pleine charge)	%	Gaz Naturel: 4.4 - 4.7 (Gaz Propane: 4.8 - 5.1)				
Consommation électrique maximum	W	210	137	144	210	234
Consommation électrique en veille	W	14				
Type courant	V/Hz	120Vac/60Hz				
Indice fusibles	A	5AF & 4AT				
Degré de protection selon EN 60529		IPX0D				
Poids (vide)	lbs / kg	196 / 89	110 / 50	117 / 53	141 / 64	141 / 64
Contenance en eau chaudière	gallon/litres	1.8 / 7	0.9 / 3.5	1.3 / 5	1.8 / 7	1.8 / 7
Contenance en eau d'ECS	gallon/litres	3.7 / 14				
Contenance en eau kit hydraulique	gallon/litres	0.74 / 2.8	0.58 / 2.2		0.74 / 2.8	
Temporisation pompe CC	min	5				
Temporisation pompe ECS	min	1				
P <sub>MS</sub> Pression min./max. de l'eau chauff.	PSI / bar	14-43 / 1-3				
P <sub>MW</sub> Pression max. ECS	PSI / bar	150 / 10	n.a.	n.a.	n.a.	n.a.
Température maximum eau de départ	°F / °C	176 / 80				
Type de pompe		UPER 20-78	UPER 20-58	UPER 20-78	UPER 20-78	UPER 20-78
Hauteur de refoulement disponible de la pompe CC (ΔT = 25K)	PSI / kPa	2.9 / 20	5.2 / 36	3.0 / 21	2.9 / 20	5.5 / 38
Approbations		ASME, CSA	ASME, CSA	ASME, CSA	ASME, CSA	ASME, CSA
Débit ECS (à ΔT50°F)	gallon/min	6.2				
Débit ECS (à ΔT27.8°C)	litres/min	23.5				
Débit ECS (à ΔT75°F)	gallon/min	4.1				
Débit ECS (à ΔT41.7°C)	litres/min	15.5				
Débit ECS max.	gallon/min	6.2				
	litres/min	23.5				
Différence pression ECS	PSI / bar	4.3 / 0.3				
Numéro de CSA		2183087				
Numéro de CRN		8101.7CL				

Spécifications techniques

Tableau 4

## 6 Raccordement de la chaudière

La chaudière est équipée des conduites de raccordement suivants :

- Les conduites du circuit de chauffage central.  
*Ils doivent être raccordés au kit hydraulique à l'aide de raccords d'adaptateur. Voir la suite au chapitre 6.1 ;*
- Le conduite d'alimentation gaz.  
*Il est fourni avec un filetage mâle en 3/4" dans lequel le bout du raccord du robinet gaz peut être vissé. Voir la suite au chapitre 6.4 ;*
- La conduite d'évacuation des condensats.  
*Elle consiste en une conduite en plastique ovale de 1" (24 mm). La conduite de purge peut y être raccordé au moyen d'une connexion ouverte. Si la connexion ouverte est raccordée à un emplacement différent, la conduite peut être rallongée au moyen d'un manchon en PVC de 1 po 1/4" (32 mm). Voir la suite au chapitre 6.6 ;*
- Les systèmes d'évacuation fumées et d'aspiration air.  
*Il consiste en un raccord concentrique de 3"/5" (125 mm). La chaudière peut être raccordée à un raccord double qui peut recevoir une conduite de 80 mm et une admission d'air ou à l'aide des adaptateurs d'évacuation et d'admission en 3 po en PVC / CPVC fournis. Voir la suite au chapitre 6.7 ;*
- Conduites d'eau froide et d'eau chaude pour l'eau chaude sanitaire (ECS).  
**Chaudières mixtes uniquement** : *Ils comprennent la conduite en cuivre de 3/4" (15 mm) et peuvent être raccordés à l'installation au moyen des raccords d'adaptateur M\_NPT en 3/4". Voir la suite au chapitre 6.5 ;*



### REMARQUE

**La conduite à raccorder à la chaudière doit être nettoyé avant d'être raccordé, pour empêcher la saleté d'entrer dans la chaudière et de l'endommager.**

### 6.1 Système de chauffage central

Raccordez le système de chauffage central conformément aux instructions.

Les conduites de la chaudière peuvent être raccordés à l'installation au moyen des raccords bicon. Des réducteurs doivent être utilisés pour raccorder la conduite à parois épaisses (soudé ou fileté).



### REMARQUE

**En retirant les bouchons d'étanchéité en plastique des conduites, de l'eau sale de test peut s'écouler de la chaudière.**



### REMARQUE

**Un kit hydraulique doit être raccordé à la chaudière.**



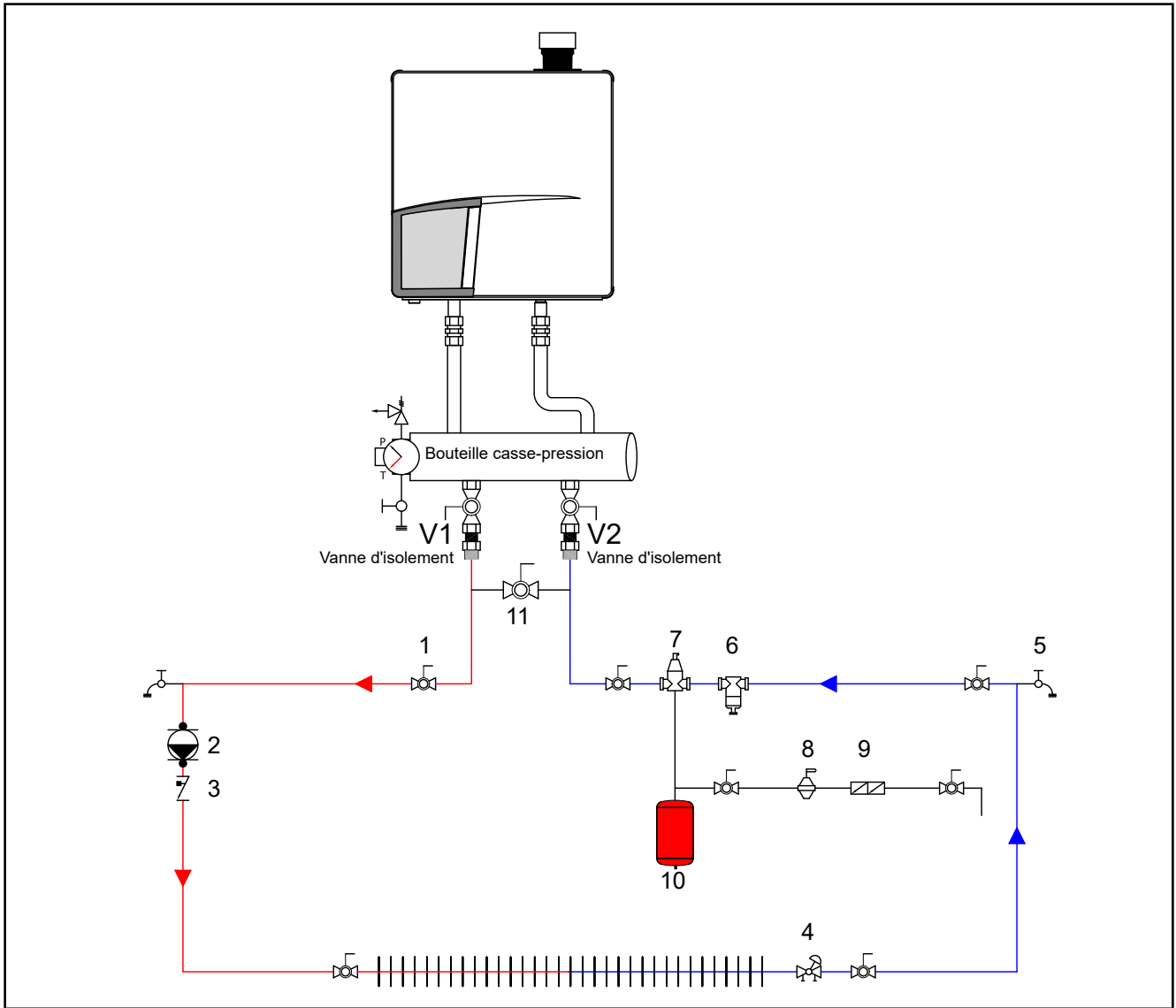
### REMARQUE

**La chaudière, lorsqu'elle est raccordée à un système de réfrigération, doit être installée de façon à ce que le support refroidi soit raccordé en parallèle à la chaudière à l'aide des vannes appropriées, pour empêcher le support refroidi d'entrer dans la chaudière.**



### REMARQUE

**Le système de tuyauterie de la chaudière d'une chaudière à eau chaude raccordée à des serpentins chauffants situés dans des appareils de traitement de l'air où ils peuvent être exposés à une circulation d'air réfrigéré, doit être équipées de vannes de contrôle de débit ou d'autres moyens automatiques, pour empêcher la circulation par gravité de l'eau de la chaudière pendant le cycle de refroidissement.**



Tuyauterie de base de chaudière

fig. 6

1. vanne d'isolement
2. circulateur de système
3. vanne d'inspection
4. vanne d'équilibrage
5. purgeur chaudière
6. collecteur d'impuretés
7. séparateur d'air
8. vanne de remplissage automatique
9. clapet anti-retour
10. vase d'expansion
11. by-pass pour rinçage de l'installation

## 6.1.1 Installation du kit hydraulique

Rinnai fournit des kits hydrauliques spécifiques avec chaque type de chaudière, qui doivent être raccordés directement sous la chaudière au tuyau départ et retour. Consultez le chapitre 5.3 pour les dimensions l'utilisation de la chaudière Rinnai sans le kit hydraulique peut faire annuler la garantie.

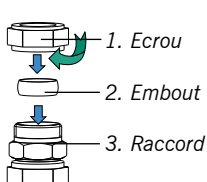
### REMARQUE

**Pour protéger tout le système de chauffage, nous recommandons d'installer un collecteur à particules de saletés dans le circuit de retour. Lorsque la chaudière est installée sur un système de chauffage existant, ce collecteur est obligatoire. L'utilisation d'un filtre à tamis en Y à la place d'un collecteur de saletés n'est pas autorisée.**

- Installez immédiatement des vannes d'isolement avant et après le filtre à particules de saletés afin de permettre le nettoyage du collecteur.
- La position 3 (figure 8) est une purge de chaudière filetée de tuyau de jardin qui peut être utilisée pour vidanger la chaudière ou ajouter des produits de traitement d'eau au système, tels que des inhibiteurs ou du glycol.
- La position 4 (figure 8) est le raccordement départ pour un boiler indirect utilisé avec le kit de vannes 3 voies en option.
- Pour obtenir des informations sur l'emplacement du vase d'expansion et du remplissage du système, veuillez consulter le manuel d'application des chaudières Rinnai.


**Raccords bicon.**

Pièces:

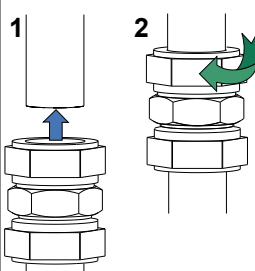


1. Ecrou  
2. Embout  
3. Raccord

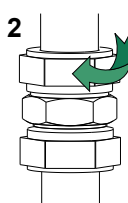
Instructions de raccordement :

 NOTICE


**Nettoyez les extrémités de tuyau à fond. La surface extérieure doit être lisse avant de montage.**



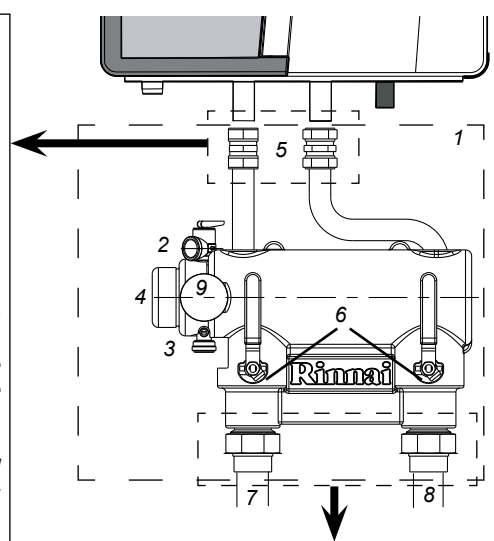
1. Poussez le raccord complet sur le tuyau aussi loin que possible. L'embout doit recouvrir complètement le tuyau.




2. Tournez l'écrou à la main dans le sens des aiguilles d'une montre.



3. Utilisez 2 clés, l'une pour maintenir le raccord en place, l'autre pour serrer l'écrou de  $\frac{3}{4}$  de tour dans le sens des aiguilles d'une montre.



1. Kit hydraulique  
2. Vanne de sécurité  
3. Raccordement de purge et évacuation  
4. Raccordement départ ECS en cas de vanne 3 voies interne en option  
5. Raccords d'adaptateur en bronze  
6. Vannes de service\*  
7. Départ  
8. Retour  
9. Indicateur de pression\*

 **DANGER**

**Ne serrez pas trop ces accessoires lors de la connexion débit et le tuyau de retour pour le kit de plomberie. Max. 150 Nm / 100 foot-pounds (ft lb) / 1327 inch-pounds (in lb). Le non-respect de ces instructions peut entraîner une fuite causant des dommages matériels et ne serait pas couvert par la garantie.**

**i** REMARQUE

Rincer soigneusement tous les tuyaux et radiateurs. Nous recommandons l'utilisation d'un nettoyant pour circuit agréé par Rinnai. Veuillez consulter la liste des nettoyants approuvés par Rinnai dans ce chapitre.

- Consultez le modèle d'installation et le chapitre 5.3 pour les dimensions de raccordement des tuyaux.

**i** REMARQUE

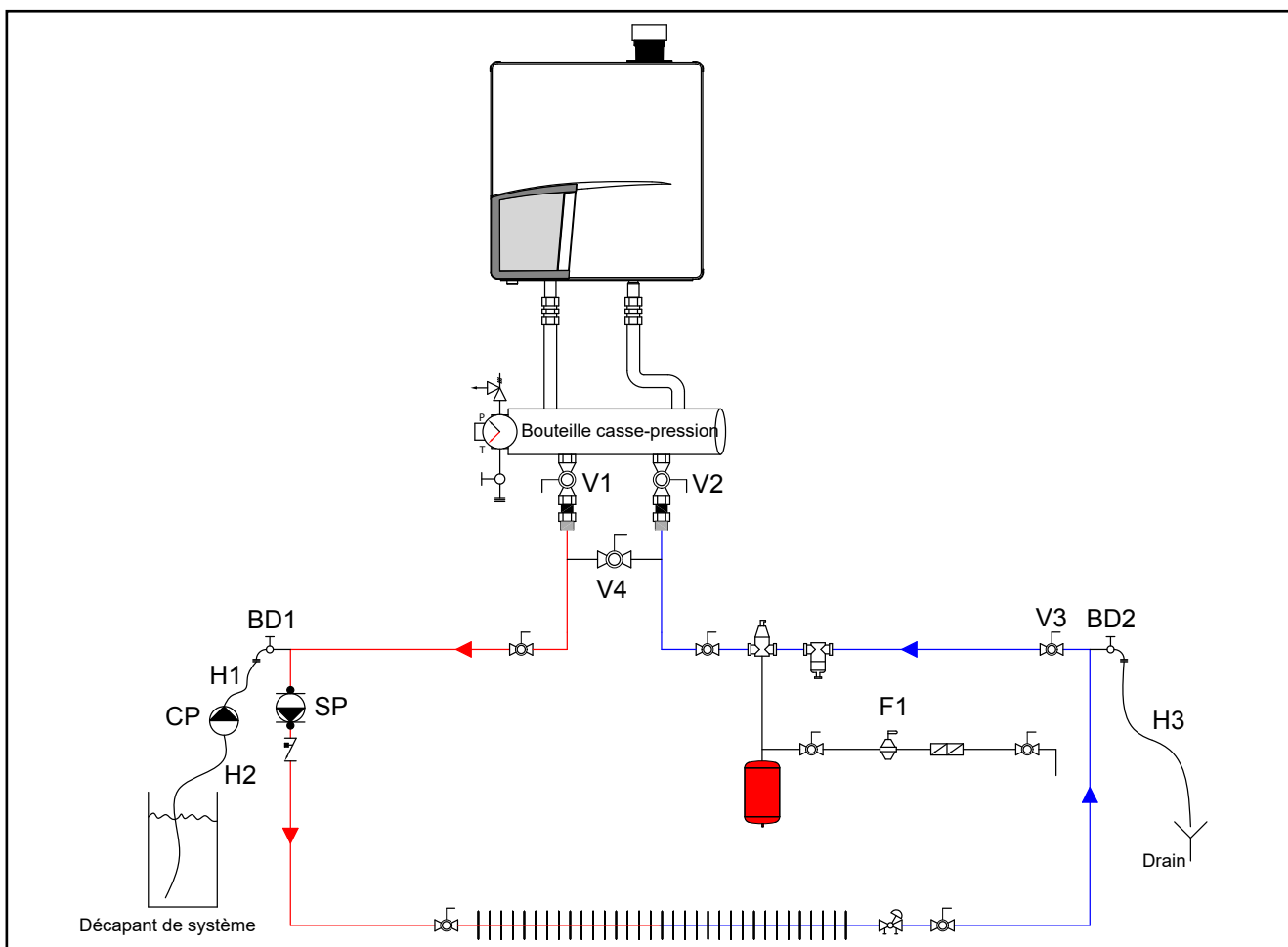
Le kit hydraulique n'est pas conçu pour supporter le poids de la tuyauterie. Des supports de tuyauterie appropriés doivent être utilisés pour soutenir tous les tuyaux attachés à la chaudière et le kit hydraulique.

**Rinçage du circuit de la chaudière (pas l'échangeur de chaleur de la chaudière)**

Lors du remplacement d'une chaudière existante, l'installation de chauffage doit être rincée avec l'ancienne chaudière en place avant que la nouvelle chaudière soit installée sur le système. Si la vieille chaudière a déjà été enlevée, une canalisation de dérivation doit être alimentée lorsque la chaudière est installée afin de faciliter le rinçage de l'installation.

La chaudière doit être isolée du circuit par une vanne pendant le rinçage de l'installation. A cause de sa nature caustique, ne jamais laisser entrer un nettoyant pour circuits dans l'échangeur de chaleur de la chaudière, car cela pourrait l'endommager.

1. Fermer les vannes d'isolement sur les raccordements départ et retour du kit hydraulique (V1 et V2).
2. Ouvrir la vanne de by-pass (V4)
3. Raccorder le tuyau de sortie de la pompe (H1) à la station de purge côté alimentation (BD1).
4. Raccorder le tuyau de vidange (H3) à la station de purge côté retour (BD2).



Rinçage de l'installation de chauffage

figure 9

5. Verser le nettoyant pour circuit dans un seau et suivre les instructions correspondantes concernant le temps de circulation et le volume à ajouter à l'installation.
6. Mettre en marche la pompe de remplissage (CP) et remplir le circuit avec le volume requis de nettoyant pour circuit.
7. Fermer la station de purge côté alimentation (BD1).
8. Allumer la (les) pompe(s) du circuit (SP) et faire circuler le nettoyant dans le circuit pendant la durée préconisée par le fabricant du nettoyant.
9. Une fois la durée préconisée par le fabricant du nettoyant pour circuit atteinte, placer le tuyau de vidange (H3) dans une évacuation.
10. Arrêter la (les) pompe(s) du circuit (SP).
11. Fermer la vanne principale sur le retour du circuit (V3) et ouvrir la station de purge côté retour (BD2).
12. Ouvrir l'alimentation automatique sur le circuit (F1) et laisser l'eau rincer l'installation pendant un temps qui est le plus important de : 10 minutes ou le temps de rinçage requis par le fabricant du nettoyant pour circuit.
13. Si l'installation est un système à zones, s'assurer de purger individuellement chaque zone.
14. Fermer l'alimentation automatique du circuit (F1).
15. Fermer la station de purge côté retour (BD2) et débrancher le tuyau (H3).
16. Ouvrir la vanne principale sur le retour du circuit (V3).
17. Fermer la vanne de by-pass en-dessous du kit hydraulique (V4).
18. Ouvrir les vannes d'isolement sur les raccordements départ et retour du kit hydraulique (V1 et V2).
19. Nettoyer le piège à saletés.
20. Tester le pH de l'eau à utiliser pour remplir le circuit.
21. Tester la dureté de l'eau à utiliser pour remplir le circuit.
22. Utiliser le bon traitement d'eau pour s'assurer que le pH et la dureté de l'eau sont conformes aux directives de qualité d'eau pour les chaudières Rinnai.
23. Maintenant la chaudière et le circuit peuvent être maintenant remplis.

Ci-après une liste de nettoyeurs, d'inhibiteurs et d'antigel agréés pour circuits.

**Antigels agréés (concentration max. 50%):**

- |  |                   |
|--|-------------------|
| • Rhomar RhoGard Mutli-Metal (AL safe) | • Sentinel X500   |
| • Noble Noburst AL                     | • Fernox Alphi 11 |

**Nettoyeurs pour circuit agréés :**

- |   |                     |
|---|---------------------|
| • Noble Noburst Hydronic System Cleaner | • Fernox F3 Cleaner |
| • Rhomar Hydro-Solv 9100                | • Sentinel X400     |



**REMARQUE**

**Les nettoyeurs pour circuit de NoBurst, Rhomar et Fernox NE peuvent PAS être utilisés dans la chaudière. La chaudière doit être isolée par des vannes (fermées) du reste du circuit ou débranchée, tant que du nettoyant se trouve dans le circuit. Le circuit doit être vidangé puis soigneusement rincé à l'eau propre pour évacuer tout le nettoyant du circuit.**

**Inhibiteurs agréés :**

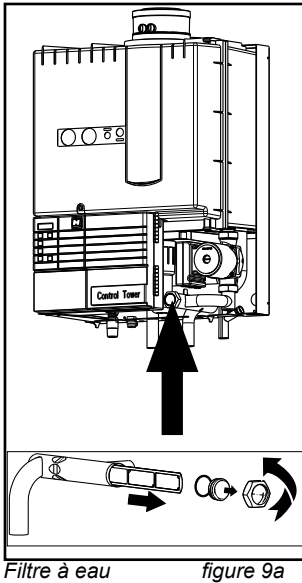
- |                              |                 |
|------------------------------|-----------------|
| • Rhomar Pro-tek 922         | • Sentinel X100 |
| • Noble Noburst AL inhibitor |                 |

- Raccordez le vase d'expansion au circuit. Voir le chapitre 6.2.
- Raccordez les tuyaux de façon à ce qu'ils ne subissent aucune tension.

**Raccordement de la chaudière au boiler**

- Raccordez le boiler externe conformément aux instructions d'installation du boiler et des raccords concernés. Voir au chapitre 7 et dans le manuel de fonctionnement des chaudières Rinnai, les renseignements supplémentaires.

La chaudière dispose d'un système de commande à réglage automatique et autoprotection pour la charge et la capacité de la pompe. Grâce à cela, la différence de température entre l'eau départ et retour est contrôlée.



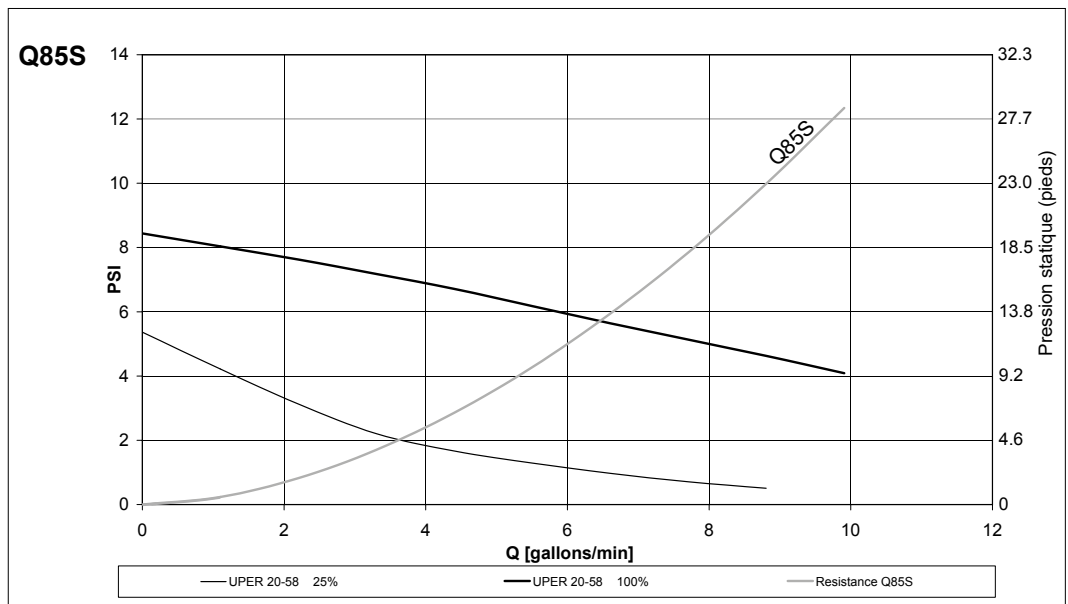
Filtre à eau figure 9a

Si la résistance de l'installation dépasse la valeur indiquée, la pompe va tourner à pleine capacité et la charge sera ajustée jusqu'à ce qu'une différence de température acceptable entre l'eau départ et retour soit atteinte. Si après cela, la différence de température n'est toujours pas acceptable, la chaudière va alors s'arrêter et attendre qu'une température acceptable soit atteinte. Si une température inacceptable est détectée, le commande va tenter à plusieurs reprises d'atteindre le débit d'eau sur la chaudière. Dans le cas contraire, la chaudière va s'arrêter. Le côté électrique de la pompe de circulation externe (fig. 6, pos. 2) peut être raccordé au boîtier de commande. Cette pompe commute alors simultanément vers la pompe de la chaudière.

La consommation maximale de courant de la pompe de circulation externe ne peut pas dépasser 120V, 2 Amp. Si une pompe avec un appel de courant plus important est nécessaire, un relais d'isolement doit être utilisé. Voir les renseignements supplémentaires dans le manuel de fonctionnement des chaudières Rinnai. La pompe externe supplémentaire doit être choisie en fonction de la résistance de l'installation et du débit requis. En standard, la chaudière est équipée d'un filtre à eau dans la conduite retour de la chaudière (fig. 9a), pour empêcher les débris de l'eau du chauffage central d'affecter la chaudière.

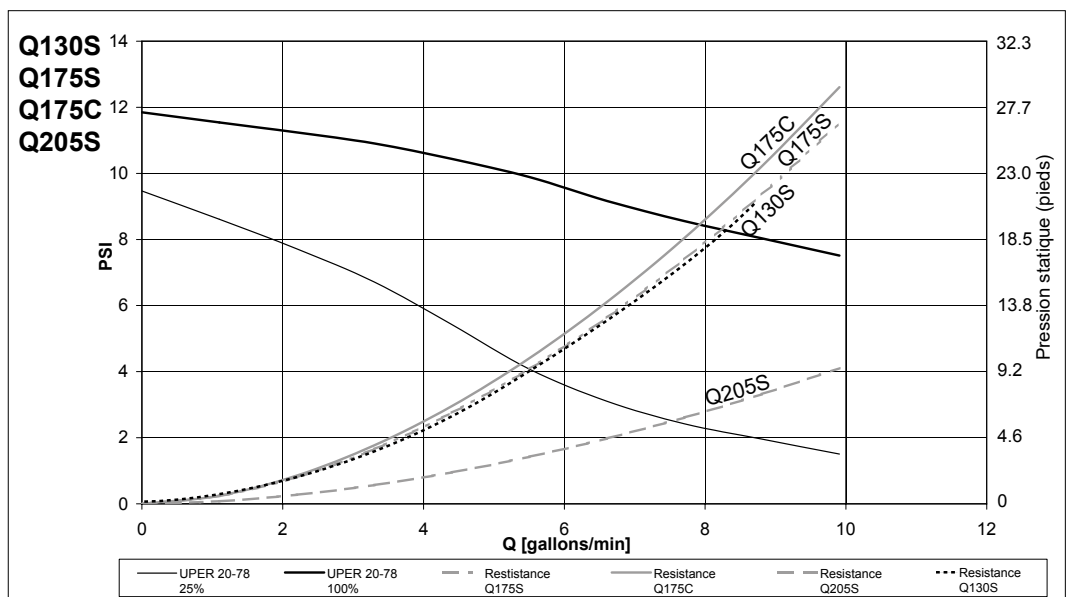
**REMARQUE**

**La chaudière est conçue pour être utilisée uniquement sur des circuits de chauffage pressurisés.**



courbes pompe UPER 20-58

graphique 1a



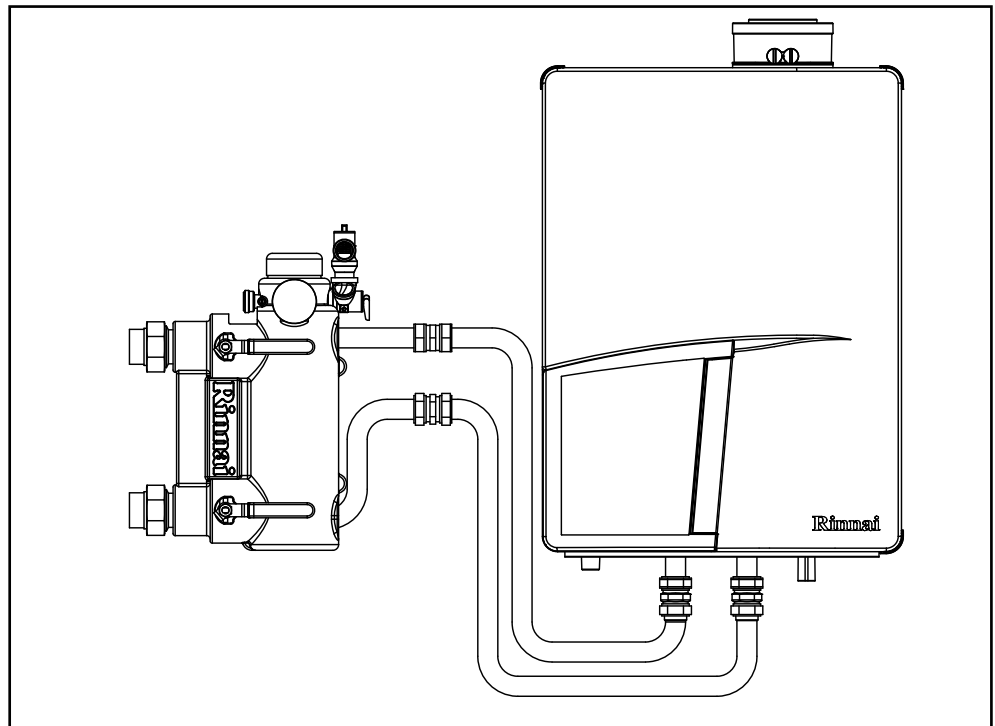
courbe pompe UPER 20-78

graphique 1b

## 6.1.2 Kit pour bouteille casse-pression montage latéral

Un kit pour bouteille casse-pression pour montage latéral est disponible en accessoire. Ce kit déplace la bouteille casse-pression de directement en-dessous de la chaudière vers le côté gauche (uniquement) de la chaudière. Le kit comprend toutes les pièces nécessaires pour réinstaller la bouteille casse-pression, y compris tous les supports de montage et le matériel. Ce kit fournit une alternative à des installations avec des limites de hauteur et permet une installation de tuyauterie alternative.

Kit 2 pour modèles de chaudières Q85S et Q130S avec référence Rinnai: 804000072  
Kit 3 pour modèles de chaudières Q175S, Q175C, et Q205S avec référence Rinnai: 804000073.



Kit de montage latéral

figure 11

## 6.1.3 Soupape de sûreté

### **i** REMARQUE

Une soupape de décharge ASME de 30 psi est installée sur le kit hydraulique livré avec la chaudière.

## 6.1.4 Pressostat en cas de manque d'eau

### **i** REMARQUE

La chaudière Rinnai Q est équipée d'un pressostat en cas de manque d'eau de type Low Water Cut Off (LWCO - coupure en cas de basse pression) installé en usine. Vérifiez vos prescriptions locales pour voir si un pressostat en cas de manque d'eau (LWCO) est nécessaire et si ce dispositif est conforme au code local. Voir les renseignements supplémentaires dans le manuel de fonctionnement des chaudières Rinnai.

Le pressostat en cas de manque d'eau n'est pas réparable.

## 6.2 Vase d'expansion de chaudière

Un vase d'expansion doit faire partie de l'installation de chauffage central. Le vase d'expansion doit être adapté à la quantité d'eau dans l'installation. La pression de précharge dépend de la hauteur de l'installation au-dessus du vase d'expansion monté. Le vase d'expansion NE fait PAS partie de la livraison et doit être acheté localement. Veuillez consulter le fabricant du vase d'expansion pour d'autres informations. La chaudière mixte Q175C est équipée d'un raccordement pour vase d'expansion. Ce tuyau est raccordé à la vanne trois voies et à la pompe de la chaudière.

 REMARQUE

**Remplissez le vase d'expansion jusqu'à un minimum de 14,5 psi.**

 REMARQUE

**Pour que la chaudière fonctionne correctement, il est nécessaire de raccorder le vase d'expansion au raccordement vase d'expansion sur la chaudière. Si le vase d'expansion n'est pas raccordé au raccordement fourni, la chaudière peut être endommagée.**

 REMARQUE

Remarque: Les chaudières solo Q85S, Q130S, Q175S et Q205S peuvent être équipées d'une vanne trois voies intérieure en option. Lorsque cette vanne est installée dans la chaudière, celle-ci est équipée d'un raccordement pour vase d'expansion. Ce tuyau est raccordé à la vanne trois voies et à la pompe de la chaudière.

 REMARQUE

**Pour que la chaudière fonctionne correctement, il est nécessaire de raccorder le vase d'expansion au raccordement vase d'expansion sur la chaudière. Si le vase d'expansion n'est pas raccordé au raccordement fourni, la chaudière peut être endommagée.**

Consultez le manuel de fonctionnement de la chaudière Rinnai pour d'autres renseignements concernant le positionnement du vase d'expansion dans l'installation. Consultez le manuel d'installation de la vanne 3 voies du boiler indirect Rinnai pour d'autres renseignements concernant l'installation du kit de la vanne 3 voies boiler indirect.

 REMARQUE

**La chaudière ne peut pas être utilisée avec un vase d'expansion de type ouvert.**

## 6.3 Système de chauffage par le sol (tuyaux en plastique)

Si vous utilisez des tuyaux perméables à l'oxygène, par exemple, pour des systèmes de chauffage par le sol, vous devez séparer le circuit au moyen d'échangeurs de chaleur à plaques.

 REMARQUE

**Aucun recours ne pourra être effectué aux termes de la garantie limitée en cas de manquement aux règles se rapportant aux tuyaux de chauffage par le sol en plastique.**

## 6.4 Raccordement au gaz



**DANGER**

Ne travaillez sur les conduites gaz que si vous êtes agréé pour cela. Si ces instructions ne sont pas suivies à la lettre, un incendie ou une explosion peuvent se produire et causer des dégâts matériels, des blessures corporelles ou la mort.



**AVERTISSEMENT**

Les chaudières murales Rinnai sont fabriquées pour fonctionner au gaz naturel ou au gaz propane. Le type de gaz qui convient à la chaudière est indiqué sur l'emballage et sur la chaudière par une étiquette bleue avec Gaz naturel ou une étiquette verte avec Gaz Propane sur la plaque signalétique de la chaudière. Vérifiez d'abord sur la plaque signalétique de la chaudière, le type de gaz qui convient.



**DANGER**

N'utilisez pas la chaudière avec un autre type de gaz que celui indiqué sur la plaque signalétique de la chaudière. Ceci peut provoquer un mauvais fonctionnement et endommager la chaudière.

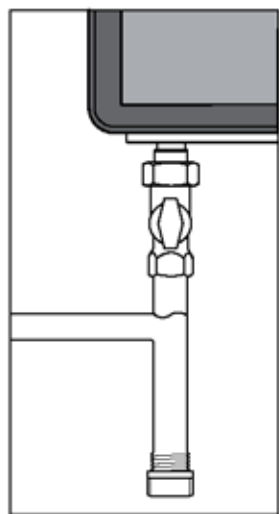
Gaz naturel : voir le chapitre 6.4.1

Gaz propane : voir le chapitre 6.4.2

### 6.4.1. Raccordement au gaz naturel



**REMARQUE**



Collecteur de sédiments  
figure 10

Le raccordement au gaz naturel doit être conforme à la réglementation locale ou, si elle n'existe pas, au Code National du Gaz Combustible ANSI Z 223.1. Pour le Canada, le raccordement au gaz doit être conforme à la réglementation locale ou, si elle n'existe pas, au Code d'installation du gaz naturel et du gaz propane, CAN/CSA B149.1.

#### Dimensions des conduites pour le gaz naturel

Contactez le fournisseur de gaz pour dimensionner la conduite d'alimentation et le compteur gaz.

#### Conduites gaz

Un collecteur de sédiments doit être installé en amont des commandes gaz.

La conduite gaz de la chaudière est équipée d'un filetage extérieur M-NPT en 3/4", sur lequel le bout de la pièce de raccordement du robinet gaz d'isolement peut être raccordée. Utilisez un joint approprié.

Le raccordement à la chaudière doit comprendre une méthode de débranchement convenable et une vanne de réglage gaz adjacente à la chaudière doit être installée à des fins d'isolement. La pression nominale de fonctionnement du gaz d'entrée mesurée sur la chaudière doit être de 7" CE (18 mbar) pour le gaz naturel (Gaz A). La pression maximale sans débit (blocage) ou avec la chaudière en marche est de 10,5" CE. La pression minimale avec le gaz circulant (vérifiez pendant le démarrage de la chaudière) est de 3,0" CE. La conduite de gaz doit être raccordée au robinet de gaz, sans aucune contrainte.



**REMARQUE**

Assurez-vous que le circuit des conduites gaz ne contienne pas de saletés, particulièrement avec des conduites neuves.



**DANGER**

Vérifiez toujours la sécurité du circuit des conduites gaz au moyen d'un essai à la bulle à l'aide d'un pulvérisateur détecteur de fuites.



**REMARQUE**

La chaudière et sa vanne d'isolement individuelle doivent être déconnectées du circuit d'alimentation gaz pendant tous les tests de pression de ce système à des pressions d'essai excédant 1/2 PSI (3,5 kPa).



**REMARQUE**

La chaudière doit être isolée du circuit des conduites gaz en fermant sa vanne d'isolement individuelle manuelle pendant tous les tests de pression du système de conduites d'alimentation gaz, à des pressions d'essai égales ou inférieures à 1/2 PSI (3,5 kPa).

## 6.4.2 Raccordement au gaz propane

### REMARQUE

Le raccordement à l'alimentation gaz doit être conforme à la réglementation locale ou, si elle n'existe pas, au Code National du Gaz Combustible ANSI Z 223.1. Pour le Canada, le raccordement au gaz doit être conforme à la réglementation locale ou, si elle n'existe pas, au Code d'installation du gaz naturel et du gaz propane, CAN/CSA B149.1

### Dimensions des conduites pour le gaz propane

- Contactez le fournisseur de gaz pour dimensionner les conduites, les réservoirs et le régulateur de pression gaz à 100% de blocage.

### Conditions de pression d'alimentation en propane

- Ajustez le régulateur d'alimentation en gaz propane fourni par le fournisseur de gaz pour une pression maximale de 14 pouces CE.
- Pression exigée à l'orifice d'entrée de la vanne gaz :
  - Maximum de 14" CE. Sans débit (blocage) ou avec la chaudière en marche.
  - Minimum de 8" CE avec débit de gaz (vérifiez pendant le démarrage de la chaudière).

**Assurez-vous que le régulateur de haute pression gaz est installé à au moins 6 à 10 pieds (1,83 à 3,05 m) en amont de la chaudière.**

### Conduites gaz

- Utilisez une vanne d'isolement avec le gaz propane.
- Un collecteur de sédiments doit être installé en amont des commandes gaz.

Le tuyau de la chaudière est prévu d'un filetage extérieur M-NPT en 3/4", sur lequel la pièce de raccordement du robinet d'arrêt du gaz peut être vissée. Utilisez un joint approprié.

Le raccordement à la chaudière doit inclure une méthode de débranchement convenable.

Une vanne de réglage gaz doit être installée adjacente à la chaudière, à des fins d'isolation. La pression nominale de fonctionnement du gaz d'entrée mesurée à la chaudière doit être de 12 pouces CE (30 mbar) pour le gaz propane (Gaz E).

La conduite de gaz doit être raccordée à la vanne gaz, sans aucune contrainte.

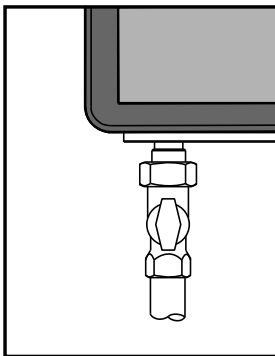
**Assurez-vous que le circuit des conduites gaz ne contienne pas de saletés, particulièrement avec des conduites neuves.**

**Vérifiez toujours la sécurité du circuit des conduites de gaz au moyen d'un essai à la bulle à l'aide d'un pulvérisateur détecteur de fuites.**

La chaudière et sa vanne d'arrêt individuelle doivent être déconnectées du circuit de conduites gaz pendant tous les tests de pression de ce système à des pressions d'essai excédant 1/2 PSI (3,5 kPa).

La chaudière doit être isolée du circuit des conduites gaz en fermant sa vanne d'isolement individuelle manuelle pendant tous les tests de pression du système de conduites d'alimentation gaz, à des pressions d'essai égales ou inférieures à 1/2 PSI (3,5 kPa).

### DANGER



Robinet d'arrêt sous la chaudière figure 11

### REMARQUE

### DANGER

### REMARQUE

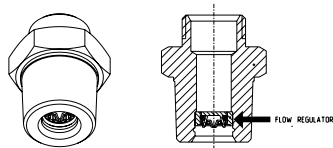
### REMARQUE

Le raccordement de l'installation d'eau potable doit être effectué conformément à la réglementation nationale secondaire sur l'eau potable.

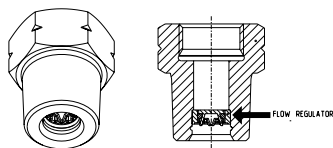


**DANGER**

**N'utilisez PAS de produits chimiques toxiques, comme ceux utilisés pour le traitement des chaudières dans les systèmes de chauffage d'eau potable utilisés pour le chauffage de locaux.**



Les conduites d'eau sanitaire peuvent être raccordées à l'installation au moyen de raccords d'adaptation. L'entrée d'eau froide sur les chaudières mixtes doit être équipée des composants suivants (compris dans le sens de la circulation de l'eau): Vanne de régulation de débit (fournie), groupe de sécurité, vase d'expansion 87 PSI / 6 bar (eau potable, bleu).



Une vanne de régulation de débit est fournie avec la chaudière. La vanne de régulation de débit garantit qu'une certaine quantité d'eau est fournie et qui a une température de sortie de 120° F/49°C (en supposant une température de l'eau froide de 45° F/7°C). La quantité d'eau est virtuellement inaltérée par la pression d'eau. Le raccord d'adaptateur NPT en 3/4" avec la vanne de réduction du débit doivent être montés dans le raccordement d'eau froide (voir Dimensions 5.3, tuyau d'eau froide -k).

Vanne de régulation de débit  
figure 12



**REMARQUE**

**Lorsque la pression de l'eau est inférieure à 22 PSI / 1,5 bar, il est conseillé de retirer le mécanisme intérieur de la vanne de réduction du débit. Contactez Rinnai pour les instructions de démontage.**

	<p><b>DANGER</b></p> <p>L'eau chaude peut être dangereuse, particulièrement pour les bébés et les enfants, les personnes âgées ou infirmes. Il existe un risque de brûlure par l'eau chaude si le thermostat est réglé trop chaud.</p> <p>Les températures d'eau supérieures à 125° F (51° C) peuvent provoquer des blessures graves ou mortelles.</p> <p>L'eau chaude peut provoquer des blessures au premier degré, même si l'exposition n'est que de :</p> <ul style="list-style-type: none"> <li>3 secondes à 140° F (60° C)</li> <li>20 secondes à 130° F (54° C)</li> <li>88 minutes à 120° F (48° C)</li> </ul> <p>Testez la température de l'eau avant d'installer un enfant dans le bain ou sous la douche.</p> <p>Ne laissez pas un enfant ou un bébé dans le bain sans surveillance.</p>
--	---

## 6.5.1 Qualité de l'eau sanitaire

Les étapes appropriées doivent être suivies pour s'assurer que le boiler indirect ne soit pas bouché par du tartre dû à de l'eau dure ou à du sédiment. Si le boiler indirect se bouche soit par du tartre dû à de l'eau dure ou du sédiment, ça n'est pas de la responsabilité de Rinnai.

### 1. Dureté de l'eau d'ECS

Lorsque l'eau utilisée est supérieure à 6 ou 7 grains de dureté pour l'eau sanitaire, un adoucisseur d'eau doit être installé au raccordement ECS à l'entrée.

### 2. Sédiments dans l'ECS

Si des sédiments se trouvent dans votre alimentation en eau sanitaire, un filtre à sédiments ou un autre dispositif adapté doit être utilisé pour les retirer avant que l'eau n'entre dans le boiler indirect.

### 3. Chimie de l'eau pour l'ECS

L'eau utilisée à des fins doivent avoir un pH de l'eau entre 6.0 et 8.0, contiennent moins de 1.7 gpg (20 mg / l) de sodium, et une concentration de chlore est inférieure à 5.8 gpg (100 mg / L).



#### REMARQUE

**Si des problèmes surviennent lors de l'utilisation d'eau chaude sanitaire en dehors des exigences énoncées ci-dessus, aucun recours ne pourra être faite aux termes de la garantie limitée.**

## 6.5.2 Accessoires de traitement d'eau sanitaire

Rinnai offre un dispositif de traitement d'eau sanitaire qui peut aider à réduire les dépôts de tartre. Ce dispositif peut être installé sur la ligne d'alimentation d'eau froide pour chaque chaudière combi. Plus d'informations sur demande à Rinnai.

## 6.5.3 Vase d'expansion ECS

Un vase expansion ECS pourrait être requis par le code local. Vérifier le code local pour déterminer si elle est nécessaire.

Si un chauffe-eau est installé dans un système d'alimentation d'eau fermé, tels que l'un ayant un disconnecteur dans la ligne d'alimentation en eau froide, un moyen est prévu pour contrôler la dilatation thermique. Contactez le fournisseur d'eau ou de l'inspecteur local de plomberie sur la façon de contrôler la dilatation thermique.

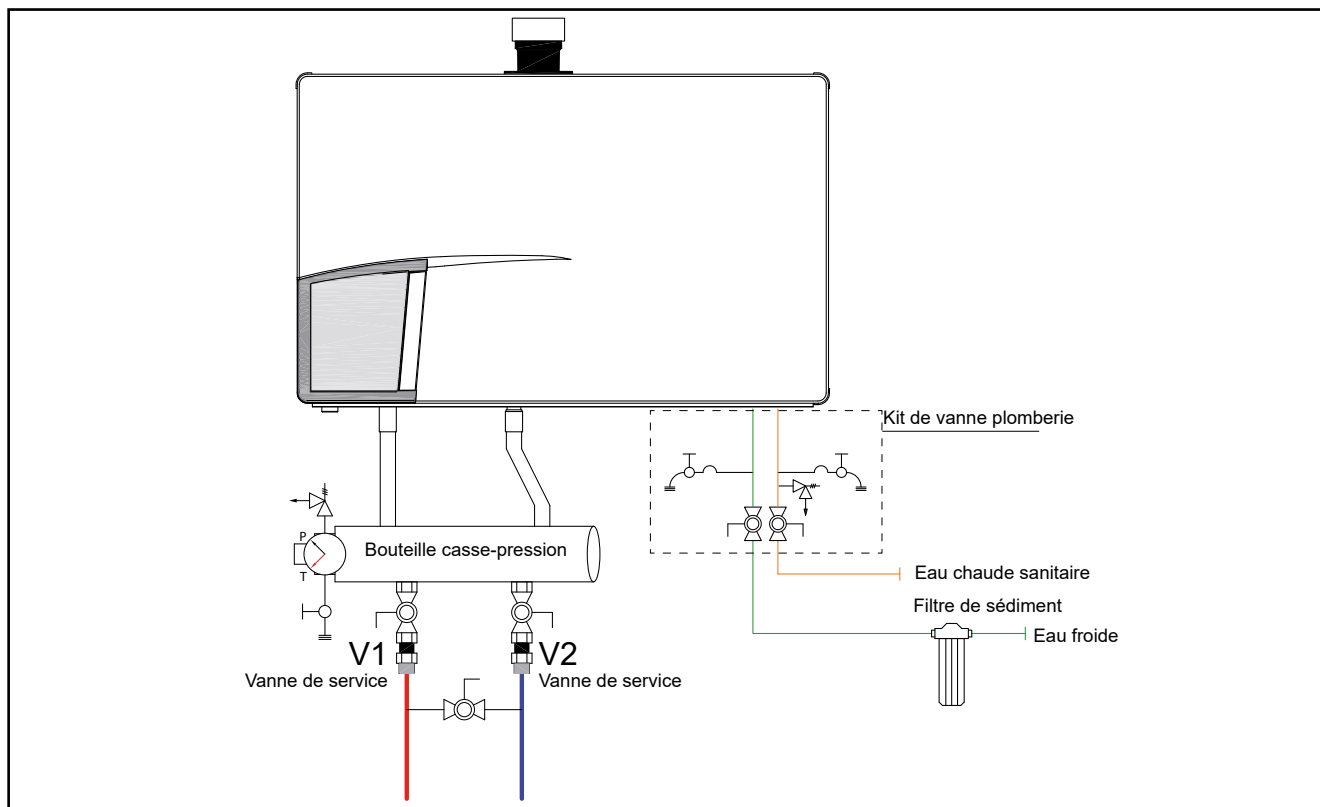
## 6.5.4 Installation d'un kit de vanne

Un dispositif permettant d'isoler le boiler indirect pour le nettoyage doit être fourni lors de l'installation. Voir en figure 13 la bonne disposition de la tuyauterie. Un kit de vanne Rinnai peut être utilisé sur les branchements d'eau sanitaire pour toutes les chaudières combi, pour permettre le nettoyage du boiler indirect et l'installation de la soupape de sûreté d'eau chaude sanitaire.

- Rinnai recommande d'utiliser le kit WRIK-LF-F (raccord fileté NPT 3/4" ) ou WRIK-C (WRIK-C (raccordement 3/4" soudé à l'étain) pour raccorder les conduites d'eau sanitaire à la chaudière.
- L'utilisation de ce kit facilite le rinçage du boiler indirect planes dans les zones où la qualité de l'eau pose des problèmes, et améliore également le fonctionnement de l'ensemble du produit.

## 6.5.5 Soupape de sûreté pour chaudières Combi

- Rinnai exige une soupape de surpression agréée pour tous les systèmes de chauffage d'eau.
- La soupape de sûreté doit être conforme à la norme pour les Soupapes de Sûreté et Dispositifs Automatiques de Fermeture de Gaz pour Systèmes d'Alimentation en eau chaude ANSI Z21.22 et/ou à la norme Température. Pression. Vannes de Sécurité Température et Pression et Soupapes de Dépression, CAN1-4.4.
- La soupape de sûreté doit être réglée à 150 psi et au moins au BTU/heure maximum de l'appareil.



Tuyauterie ECS de chaudière combi

figure 13

- La décharge de la soupape de sûreté doit être raccordée au sol ou à un système d'évacuation, pour éviter tout danger d'exposition ou de brûlure aux personnes, aux plantes ou aux animaux. Suivez les prescriptions locales. L'eau dégagée par la soupape de sûreté peut provoquer instantanément de graves brûlures, vous ébouillanter, ou entraîner la mort.
- La soupape de sûreté doit être actionnée à la main une fois par an pour vérifier si elle fonctionne correctement.
- La soupape de sûreté doit être ajoutée à la conduite de sortie de l'eau chaude, conformément aux instructions du fabricant. NE PAS placer d'autre type de vanne ou de dispositif de fermeture entre la soupape de sûreté et le chauffe-eau.
- Ne pas boucher la soupape de sûreté et ne pas installer de réduction sur la conduite de décharge. La conduite de décharge doit permettre la vidange complète de la vanne et de la conduite.
- Si une vanne décharge périodiquement, ceci peut être dû à une dilatation thermique dans un circuit fermé d'alimentation en eau. Consulter le fournisseur d'eau ou l'inspecteur local de plomberie sur la façon de corriger ce problème. Ne pas boucher la soupape de sûreté.
- Rinnai n'exige pas de soupape de sûreté combinée de température et de pression pour cet appareil. Toutefois, les prescriptions locales peuvent exiger une soupape de sûreté combinée de température et de pression.
- Si un chauffe-eau est installé dans un système d'alimentation d'eau fermé, tels que l'un ayant un disconnecteur dans la ligne d'alimentation en eau froide, un moyen est prévu pour contrôler la dilatation thermique. Contactez le fournisseur d'eau ou de l'inspecteur local de plomberie sur la façon de contrôler la dilatation thermique.

## 6.6 Evacuation condensats

Cette chaudière produit de l'eau de condensation. Les condensats doivent être évacués, sinon la chaudière ne fonctionne pas et peut provoquer des dégâts produit et immobiliers.

La conduite d'évacuation des condensats doit être raccordé à une évacuation dans le bâtiment, au moyen d'une connexion ouverte. Grâce à cela, la possibilité pour les gaz d'évacuation de parvenir à la chaudière est éliminée. Le raccordement de l'évacuation doit avoir un diamètre minimum de 1,3" / 32 mm.

Installez la conduite d'évacuation des condensats conformément à la prescription locale.

Si la sortie des condensats de la chaudière est plus basse que le réseau d'égouts public, une pompe à condensats doit être utilisée.

Le pH des condensats produit par la chaudière est entre 3 et 4.

Installez un élément de neutralisation si la prescription locale l'exige, il est recommandé mais non exigé d'installer un neutraliseur de condensats.

Rinnai propose un neutraliseur de condensats conçu pour fonctionner avec tous les modèles de chaudières. Le kit de neutralisation des condensats est livré avec tous les accessoires nécessaires et le matériel de montage. La conduite en PVC doit être fournie par l'entrepreneur de l'installation.

Référence Rinnai: 804000074.

**Ne vidangez pas l'eau de condensation vers le caniveau extérieur d'eaux pluviales en raison du danger de gel et de blocage de l'évacuation.**

 REMARQUE

**Avant de mettre la chaudière en marche, remplissez l'évacuation condensats avec 1,27 tasses / 300 ml d'eau. Si la chaudière doit être installée dans une installation à haute température comme une plinthe avec une température départ de 160°F ou plus, remplissez l'évacuation condensats d'huile minérale à la place de l'eau.**

 REMARQUE

**Utilisez des matériaux approuvés par l'autorité compétente. En l'absence de cette autorité, la conduite en PVC et en CPVC doivent être conformes à l'ASTM D1785, F441 ou D2665. La colle et le primer doivent être conformes à l'ASTM D2564 ou F493.**

 REMARQUE

**Pour le Canada, utilisez du conduites en PVC ou en CPVC, des raccords et de la colle certifiés CSA ou ULC.**

**Un nettoyage du circuit d'évacuation des condensats doit être effectué périodiquement. Pour plus d'informations et schéma des conduites de condensats, voir dans le manuel de fonctionnement des chaudières Rinnai.**

 REMARQUE

## 6.7 Système d'évacuation fumées et d'aspiration air

Des dispositions pour l'aspiration air de combustion et l'évacuation des fumées doivent être prises conformément à la section Air de Combustion et Evacuation du Code National du Gaz combustible ANSI Z223.1, ou sections 7.2, 7.3 de 7.4 des codes d'installation CAN/CGA B149.1, ou aux dispositions applicables des prescriptions locales de construction.

- N'entreposez pas de produits chimiques près de la chaudière ou dans des pièces où l'air alimente la chaudière. Voir la liste au chapitre 5.1.
- Ne laissez pas entrer les gaz de combustion d'autres appareils dans la chaudière.
- Maintenez l'armoire à l'abri de l'humidité.

**Au cas où le système se serait déclenché pour couper le gaz du brûleur principal, n'essayez pas de mettre la chaudière en marche. Contactez un professionnel agréé.**

 REMARQUE

## 6.7.1 Directives aspiration / évacuation

Référez-vous aux instructions particulières sur votre produit d'évacuation pour connaître les conditions supplémentaires d'installation.

- Pour les chaudières à évacuation directe, un remontage et des joints corrects du système d'évacuation fumées–d'aspiration air.
- Vous devez utiliser des composants pour l'évacuation qui sont certifiés et listés, avec ce modèle.
- N'assemblez pas des composants d'évacuation de différents fabricants.
- L'évacuation fumées doit être aussi directe que possible, avec un nombre minimum de raccords de conduits.
- Évitez les inclinaisons ou les affaissements dans les trajets d'évacuation horizontaux en installant des supports selon les instructions du fabricant du système d'évacuation.
- Installez un support sur les trajets horizontaux d'évacuation tous les quatre pieds (1,20 m) et sur les trajets d'évacuation verticaux tous les six pieds (1,80 m), ou conformément aux prescriptions locales.
- Le diamètre de l'évacuation ne doit pas être réduit.
- La chaudière ne convient pas pour une installation d'évacuation commune, voir également le chapitre 20.
- Ne raccordez pas le système d'évacuation à une évacuation ou une cheminée existante.
- N'associez jamais l'évacuation à n'importe quel autre conduit de chauffe-eau ou d'appareil
- Les raccordements d'évacuation doivent être solidement serrés, de façon à ce que les joints soient complètement étanches à l'air.
- Consultez les instructions du fabricant du système d'évacuation pour les instructions d'assemblage des composants.
- Si le système d'évacuation doit être installé dans une enceinte, la conception de l'enceinte doit permettre l'inspection du système d'évacuation. La conception de cette enceinte doit être considérée comme acceptable par l'installateur ou l'inspecteur local.



### REMARQUE

**S'il s'avère nécessaire d'accéder à un système d'évacuation dans une enceinte pour l'entretien ou des réparations, Rinnai n'est pas responsable des coûts ou des difficultés d'accès au système d'évacuation. La garantie de couvre pas l'obtention de l'accès à un système d'évacuation dans une enceinte.**

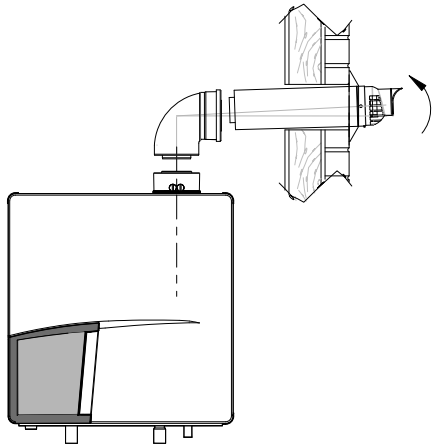
Les instructions d'installation du système d'évacuation doivent préciser que les sections horizontales doivent être supportées pour prévenir le fléchissement. Les méthodes et les intervalles de support doivent être spécifiés. Les instructions doivent aussi indiquer que le système d'évacuation:

- pour les chaudières de catégories I, II et IV doit présenter des tronçons horizontaux dont la pente montante est d'au moins 1/4" par pied (21mm/m) entre la chaudière et le terminal de l'évacuation;
- pour les chaudières de catégories III, la pente sera spécifiée dans les instructions du fabricant de la chaudière;
- pour les chaudières de catégories II et IV, doit être installé de façon à empêcher l'accumulation de condensats; et
- pour les chaudières de catégories II et IV, doit être prévu où nécessaire, de dispositifs d'évacuation des condensats.

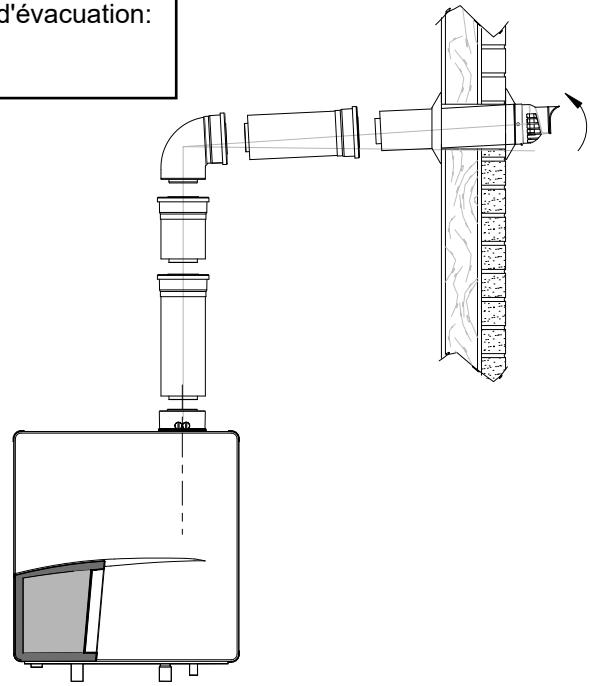
## 6.7.2a Exemples de systèmes concentriques

Épaisseur du mur pour l'installation du terminaison d'évacuation:  
 Minimum: 100mm / 4"  
 Maximum: 508mm / 20"

Exemples terminaux de mur

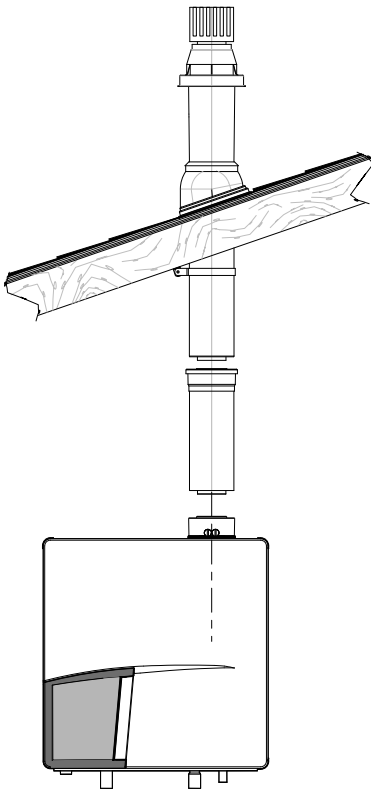


Terminaison courte avec terminal de mur  
figure 14A

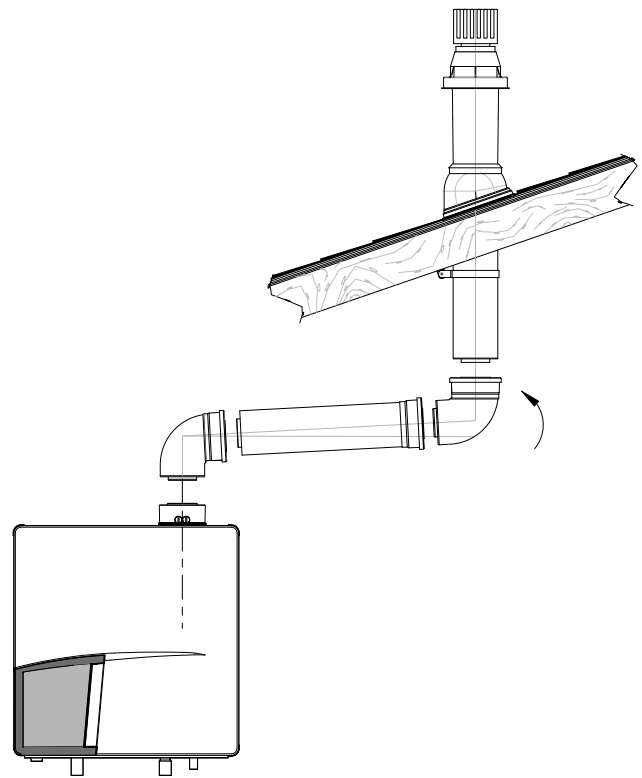


Terminaison avec terminal de mur à une niveau plus haut  
figure 14B

Exemples terminaux de toit



Terminaison courte avec terminal de toit  
figure 15A

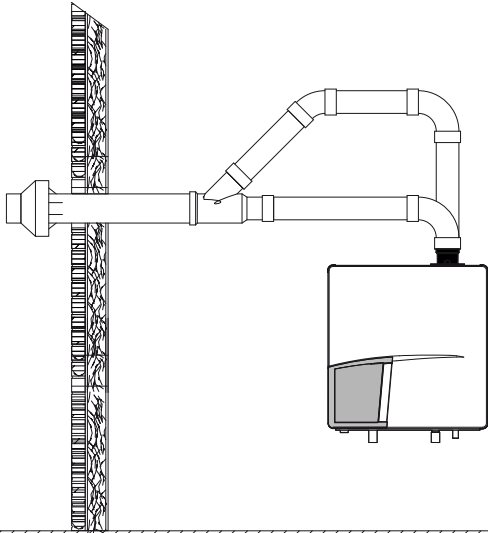


Terminaison avec terminal de mur et coudes  
figure 15B

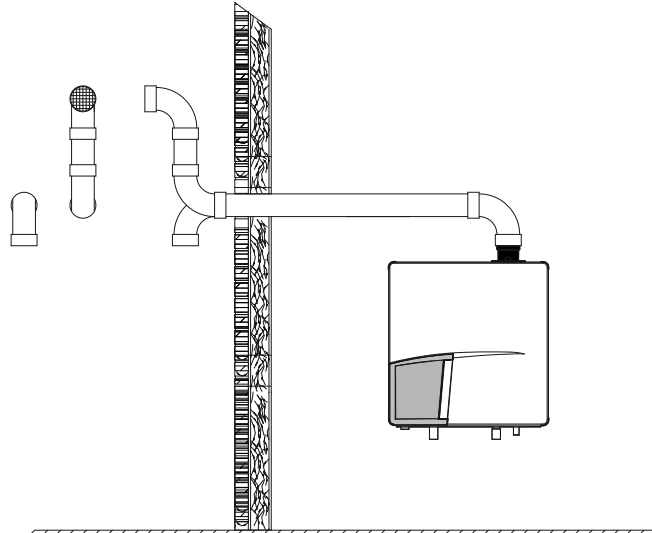
## 6.7.2b Exemples de systèmes parallèles

Épaisseur du mur pour l'installation du terminaison d'évacuation:  
 Minimum: 100mm / 4"  
 Maximum: 508mm / 20"

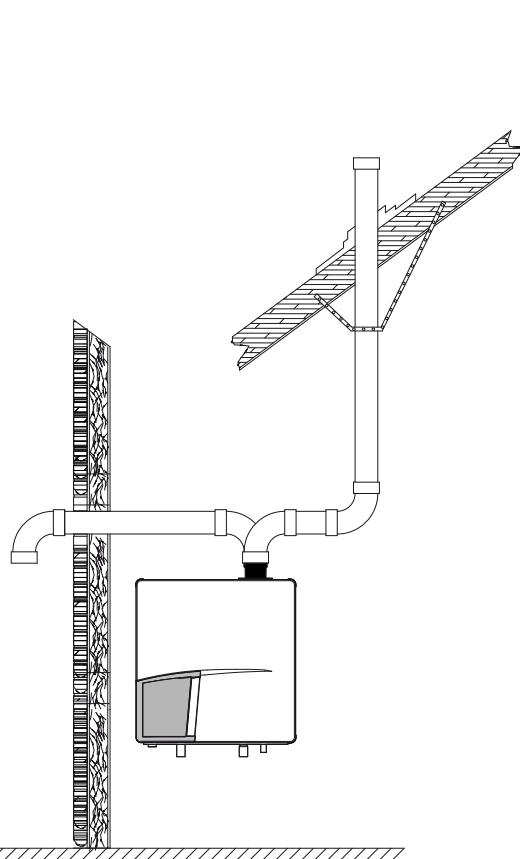
Exemples combustions fermées (configuration C)



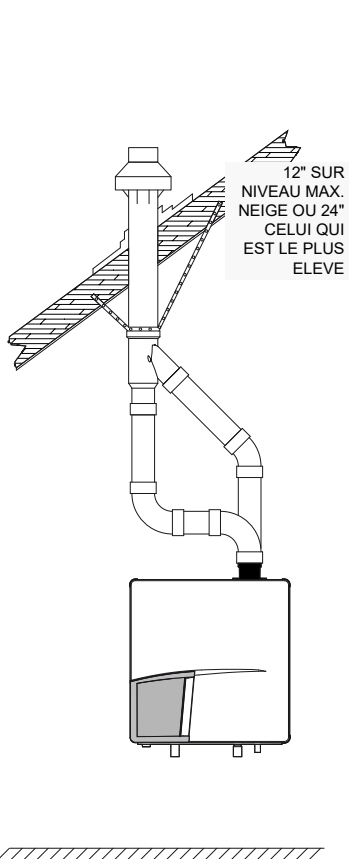
Horizontale avec terminal concentrique figure 16A



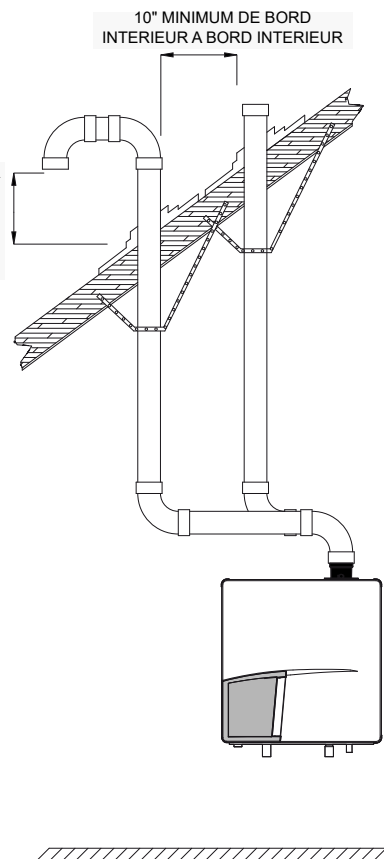
Horizontale avec termination parallèle figure 16B



Évacuation verticale et aspiration air horizontale figure 16C



Verticale avec terminaison concentrique figure 16D



Verticale avec terminaison parallèle figure 16E

## 6.7.3 Installation du système d'évacuation



### REMARQUE

Consultez les prescriptions locales et de l'état relatives au code spécial de construction et aux exigences concernant les incendies. Respectez les exigences du code national.



### REMARQUE

Respectez la longueur maximale indiquée pour les systèmes d'évacuation, qui dépend du rendement de la chaudière. Les longueurs maximales autorisées sont indiquées au tableau 9, chapitre 6.7.7.

Décidez comment installer le système d'évacuation fumées et d'aspiration air. Vous pouvez choisir entre :

#### - **Système concentrique (voir chapitre 6.7.2a)**

Le raccordement concentrique est fourni au départ en standard. Le diamètre du raccordement concentrique de la chaudière est de 3"/5" (80/125 mm), auquel le système d'évacuation fumées et d'aspiration air peut être raccordé, avec ou sans pièces coudées. La longueur maximale autorisée pour le conduit est affichée au tableau 9, chapitre 6.7.7.

#### - **Système parallèle (voir chapitre 6.7.2b)**

La chaudière peut être convertie en système parallèle avec les adaptateurs fournis. Il est possible d'utiliser un raccordement de conduit parallèle de 2x 3". Dans ce cas, un nécessaire fourni séparément, avec 2 adaptateurs d'évacuation de 3" (ø 80 mm), un couvercle de 5" (ø 125 mm), un conduit d'évacuation fumées et des joints doivent être montés à la place de l'adaptateur d'évacuation concentrique au-dessus de la chaudière. Voir l'installation dans chapitre 6.7.3.1. La longueur maximale autorisée pour le conduit est indiquée au tableau 9, chapitre 6.7.7.

#### - **Système d'air ambiant (air de combustion intérieur - configuration C)**

La chaudière peut utiliser l'air de la pièce pour la combustion. Si cette option est choisie, la chaudière doit d'abord être convertie en système parallèle. Un conduit d'évacuation simple peut alors être raccordé. Il est nécessaire d'utiliser un filtre à air ambiant (N°. art. 808000025) pour la combustion de l'air intérieur. Voir l'installation dans chapitre 6.7.3.2. La longueur maximale autorisée pour le conduit est indiquée au tableau 9, chapitre 6.7.7.



### REMARQUE

Dans le cas d'une configuration C (air de combustion de l'intérieur), Rinnai recommande fortement l'utilisation du filtre à air ambiant.



### REMARQUE

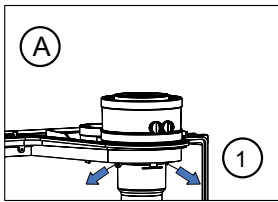
Lorsque la chaudière est installée dans l'une des zones indiquées au chapitre 5.1, "Zones susceptibles de comporter des contaminants" ou dans une zone exposée aux contaminants indiqués au chapitre 5.1, une combustion étanche est requise.



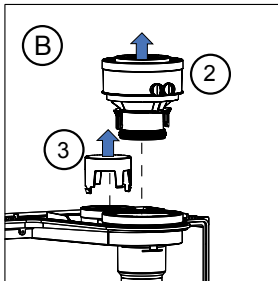
### REMARQUE

Nous conseillons d'installer un système d'évacuation hors du programme du système d'évacuation fourni par Rinnai (Voir au chapitre 19 la liste des pièces du système d'évacuation). Pour d'autres informations sur les composants disponibles du système d'évacuation fumées et d'aspiration air, nous vous recommandons de consulter Rinnai et la documentation sur les instructions d'installation et la documentation avec les listes des pièces.

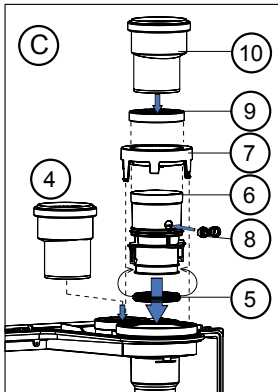
### 6.7.3.1 Conversion chaudière de concentrique vers parallèle



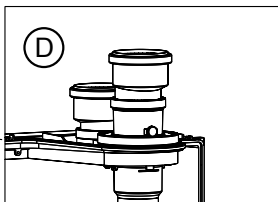
A. 1. Poussez les 2 clips un peu vers l'extérieur



B. 2. Tirez l'adaptateur concentrique de la chaudière  
3. Poussez le couvercle dans le raccordement à l'arrière de l'intérieur vers l'extérieur



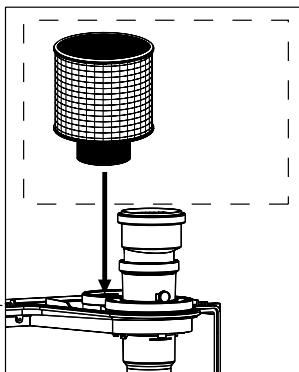
C. 4. Poussez l'adaptateur 3" (80mm) dans le raccordement à l'arrière de la chaudière (= aspiration air)  
5. Tirez le joint de caoutchouc sur le fond du raccordement d'évacuation  
6. Poussez le raccordement d'évacuation dans la chaudière, dans le conduit d'évacuation jusqu'à 'CLICK'  
7. Poussez le couvercle 5" (125mm) par-dessus le raccordement d'évacuation dans l'ouverture de 5" (125mm) jusqu'a 'CLICK'  
8. Poussez le bouchon caoutchouc en position ouverte dans le point de mesure O<sub>2</sub> et fermez l'arrêt.  
9. Poussez le joint autour du haut du raccordement d'évacuation  
10. Poussez l'adaptateur d'évacuation 3" (80mm) dans le raccordement d'évacuation.



D. Raccordez le système d'évacuation parallèle.

conversion la chaudière concentrique à parallèle  
figure 17

### 6.7.3.1 Installer le filtre à air



installez le filtre à air

figure 18

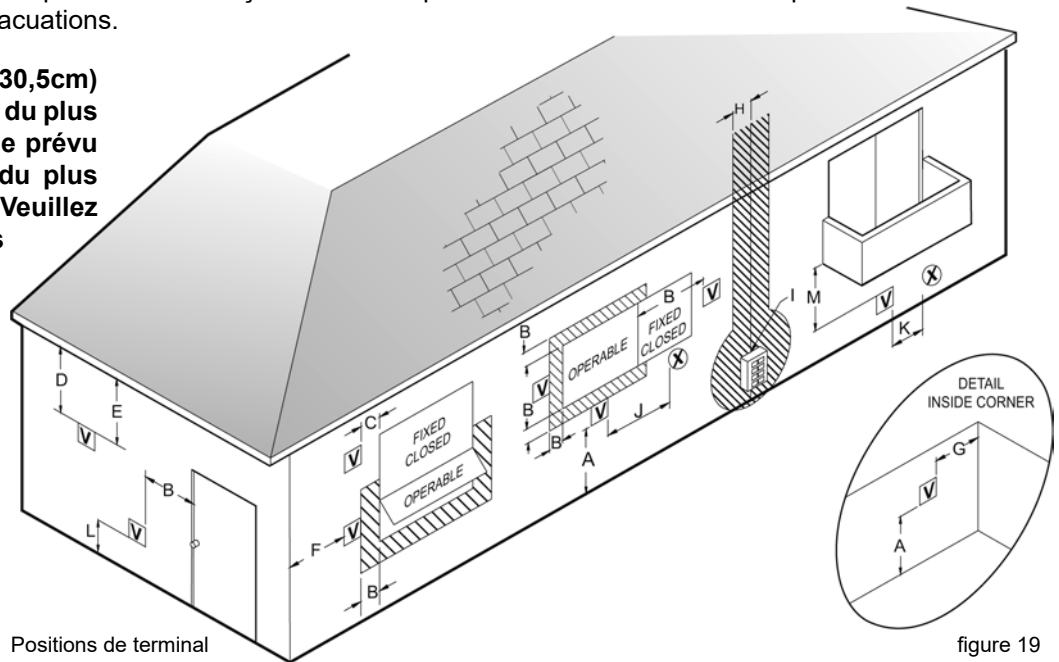
Poussez le filtre à air dans l'aspiration air au-dessus de la chaudière.  
Voir figure 18.

La longueur équivalente du filtre à air du local de combustion est 12ft (3.66m)

## 6.7.4 Position recommandée des terminaux évacuation/aspiration

Les terminaux doivent être positionnés de façon à éviter les produits de combustion entrant par les ouvertures des bâtiments ou autres évacuations.

**Observez 12" (30,5cm) d'espace au-dessus du plus haut niveau de neige prévu ou de la pente ou du plus grand des deux. Veuillez consulter vos codes locaux sur le niveau de la neige de votre région.**



Positions de terminal

figure 19

Ref	Description	Installations Canadiennes - Évacuation directe et indirecte	Installations aux 'Etats-Unis Évacuation directe	Installations aux 'Etats-Unis Évacuation indirecte
A	Dégagement au-dessus de catégorie, de véranda, de porche, de plate-forme, ou de balcon	12 pouces (30 cm)	12 pouces (30 cm)	12 pouces (30 cm)
B	Dégagement à la fenêtre ou à la porte qui peuvent être ouvertes	6 pouces (15 cm) pour chaudières ≤ 10,000 Btuh (3 kW), 12 pouces (30 cm) pour chaudières > 10,000 Btuh (3 kW) et ≤ 100,000 Btuh (30 kW), 36 pouces (91 cm) pour chaudières > 100,000 Btuh (30 kW)	6 pouces (15 cm) pour chaudières ≤ 10,000 Btuh (3 kW), 12 pouces (30 cm) pour chaudières > 10,000 Btuh (3 kW) et ≤ 100,000 Btuh (30 kW), 36 pouces (91 cm) pour chaudières > 100,000 Btuh (30 kW)	4 pieds (1.2 m) en-dessous ou à côté d'une ouverture; 1 pied (300 mm) au-dessus d'une ouverture
C	Dégagement à la fenêtre de manière permanente fermée	*	*	*
D	Dégagement vertical au soffite aéré, situé au-dessus de la borne sur une distance horizontale de 2 pieds (61 cm) de la ligne centrale de la borne	*	*	*
E	Dégagement au soffite non aéré	*	*	*
F	Dégagement au coin extérieur	*	*	*
G	Dégagement au coin intérieur	*	*	*
H	Le dégagement à chaque côté de ligne centrale s'est prolongé au-dessus du mètre/régulateur	3 pied (91 cm) entre un hauteur 15 pied (4.5 m) au-dessus l'ensemble de compteur/régulateur	*	*
I	Dégagement pour entretenir la sortie de passage de régulateur	36 pouces (91 cm)	*	*
J	Dégagement à l'admission non mécanique d'air au bâtiment ou à l'admission d'air de combustion à tout autre appareil	6 pouces (15 cm) pour chaudières ≤ 10,000 Btuh (3 kW), 12 pouces (30 cm) pour chaudières > 10,000 Btuh (3 kW) and ≤ 100,000 Btuh (30 kW), 36 pouces (91 cm) pour chaudières > 100,000 Btuh (30 kW)	6 pouces (15 cm) pour chaudières ≤ 10,000 Btuh (3 kW), 12 pouces (30 cm) pour chaudières > 10,000 Btuh (3 kW) and ≤ 100,000 Btuh (30 kW), 36 pouces (91 cm) pour chaudières > 100,000 Btuh (30 kW)	4 pied (1.2 m) au-dessous ou à côté d'une ouverture; 1 pied (300 mm) au-dessus d'une ouverture
K	Dégagement à une admission mécanique d'air	6 pied (1.83 m)	3 pied (91 cm) au-dessus en cas entre 10 pied (3 m) horizontal	3 pied (91 cm) au-dessus en cas entre 10 pied (3 m) horizontal
L	Trottoir pavé ci-dessus de dégagement ou allée pavée située sur la propriété publique	7 pied (2.13 m) [1]	*	7 pied (2.13 m)
M	Dégagement sous la véranda, le porche, la plate-forme, ou le balcon	12 pouces (30 cm) [2]	*	*

[1] Un passage ne se terminera pas directement au-dessus d'un trottoir ou d'une allée pavée qui est située entre deux logements unifamiliaux et sert les deux logements .

[2] Laissé seulement si la véranda, le porche, la plate-forme, ou le balcon est entièrement ouvert sur deux côtés au minimum sous le plancher.

\* Des dégagements non spécifiques dans la norme ANSI Z223.1/NFPA 54 ou le CSA B149.1, les dégagements sont conformes aux codes locaux d'installation et aux conditions du fournisseur de gaz .

Dégagements des terminaux du système d'évacuation

tableau 6

**i** REMARQUE

Consulter le manuel Applications de la chaudière pour des informations d'évacuation fumées supplémentaires.

**i** REMARQUE

L'extrémité doit se trouver au moins à une distance de 4 pieds (1 220 mm) pour les États-Unis et à 6 pieds (1 830 mm) pour le Canada des compteurs électriques, des compteurs de gaz, des régulateurs et de l'installation d'écoulement. (pour l'air ambiant uniquement)

**!** ATTENTION

Les systèmes d'évacuation fumées horizontaux doivent toujours être installés en pente vers la chaudière (minimum ¼ de pouce par pied, 21 mm/m), pour éviter la rétention de condensat dans le système d'évacuation fumées. Lorsque le condensat revient vers la chaudière, le risque de formation de glace sur le terminal est réduit.

**!** ATTENTION

L'itinéraire entier du système d'évacuation fumées doit être installé vers le haut, jamais vers le bas, en totalité et non pas partiellement.

**i** REMARQUE

Placer des supports de tuyaux tous les 4 pieds (1 219 mm) sur le chemin horizontal, en commençant par le support le plus près de la chaudière pour empêcher les raccords de bouger et permettre à la chaudière ou aux raccords de ne supporter ni contrainte ni poids.

**i** REMARQUE

Le terminal doit être situé là où la dispersion des produits de combustion n'est pas entravée et en s'inquiétant des dégâts ou de la décoloration qui peut se produire aux matériaux de construction ou de la végétation situés à proximité (voir figures 19 et 20). Dans certaines conditions météorologiques, de la condensation peut également s'accumuler à l'extérieur du tuyau d'admission d'air. Ces conditions doivent être prises en compte et lorsqu'une isolation nécessaire du tuyau d'admission peut être requise. En cas de froid et/ou d'humidité, de la vapeur d'eau peut se condenser lorsqu'elle quitte le terminal d'évacuation fumées. L'effet de cette « condensation d'eau » doit être pris en considération.

**i** REMARQUE

Le terminal doit être situé dans un endroit qui n'est pas susceptible de provoquer de nuisances.

**Utilisez les instructions du système d'évacuation fumées de Rinnai pour l'installation et l'entretien.**

**i** REMARQUE

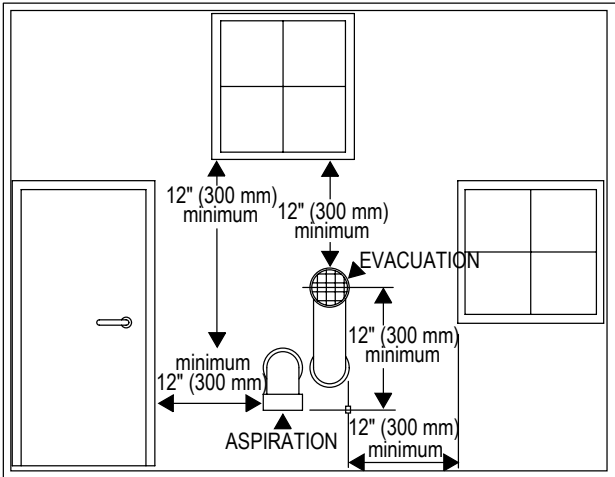
L'utilisation de PVC, CPVC ou Radel cellulaire ou à âme de mousse n'est pas autorisée pour la chaudière.

**i** REMARQUE

L'application de tout type d'isolation est interdit pour utilisation avec n'importe quel système d'évacuation en plastique.

Description	Matériel de conduit	Codes d'approbation pour l'installation	
		États-Unis	Canada
Conduits et raccords évacuation et/ou aspiration en plastic	PVC Schedule 40	ANSI/ASTM D1785	ULC S636
	PVC - DWV	ANSI/ASTM D2665	
	CPVC Schedule 40	ANSI/ASTM F441	
Colle et primer conduit en plastique	PVC	ANSI/ASTM D2564	
	CPVC	ANSI/ASTM F493	

Description	Matériel de conduit	Fabricant	Code d'approbation US/CAN	Matériel de conduit
Système d'évacuation en inox	Inox	Heat Fab	UL1738 Concentrique Conduit double	Saf-T Vent SC Saf-T Vent EZ Seal
Système d'évacuation en inox	Inox	Simpson Dura-Vent	UL1738 Flexible liner UL1738 Concentrique Conduit double	FastNSeal Flex FastNSeal
Système d'évacuation en inox	Inox	Ubbink		Rolux Condensing Vent System
Système d'évacuation en plastic	PPS	Ubbink	ULC S636	Rolux Condensing Vent System
Système d'évacuation en plastic	PVC/CPVC	IPEX	ULC S636	System 636
Système d'évacuation en plastic	PPS	Centrotherm	ULC S636 et UL 1738	Innoflue



Positions de terminal PVC

figure 20

Équivalent des tuyau ou raccords PVC	pieds	m
Coude 45 degrés	3	0.91
Coude 90 degrés	6	1.83
Conduite en plastique per pied	1	0.30
Kit évacuation concentrique	3	0.91

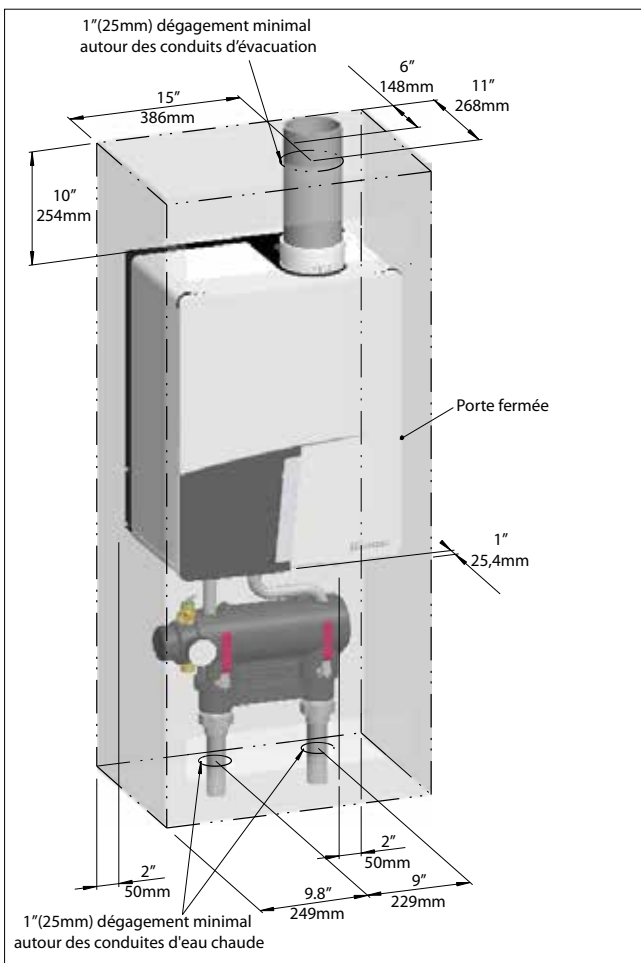
Perte de charge équivalente de PVC/CPVC tableau 8

## 6.7.5 Installation évacuation directe en placard ou en alcôve

### AVERTISSEMENT

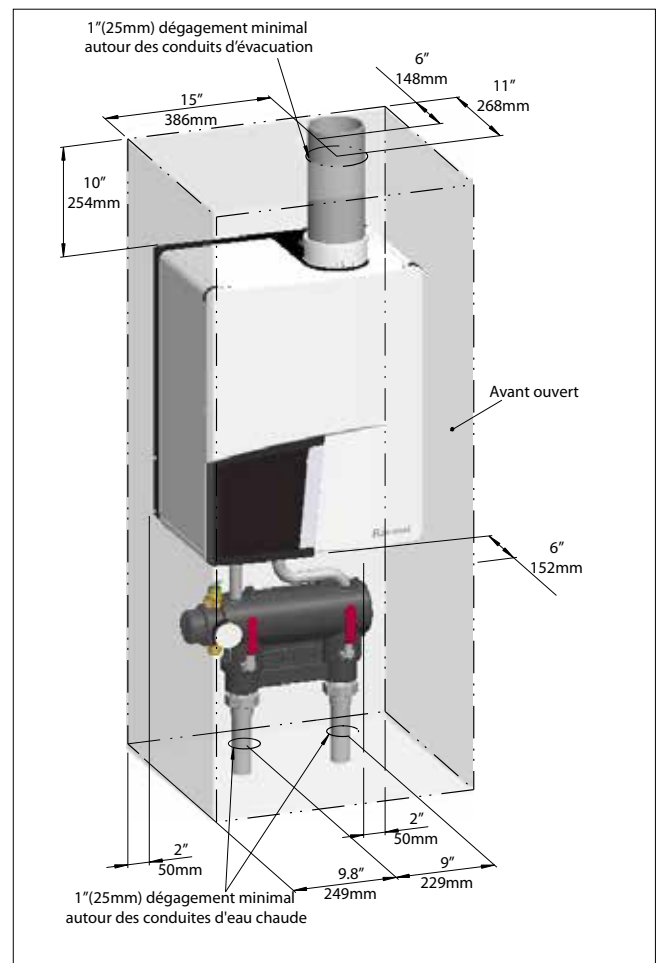
Pour une installation en placard ou en alcôve, du matériel en CPVC et non en PVC doit être utilisé. Tout manquement au respect de cet avertissement pourrait provoquer un incendie, des blessures corporelles ou la mort.

Rinnai recommande fortement d'utiliser le système d'évacuation concentrique pour toutes les installations en placard ou en alcôve. Pour une installation d'évacuation indirecte configuration C, voir les sections 6.7.6 et 6.7.9.



Installation en placard

figure 21



Installation en alcôve

figure 22

**DANGER**

La chaudière à montage mural doit avoir une évacuation fumées et une aspiration air de combustion comme décrit dans cette section.

S'assurer que les conduits d'évacuation et d'aspiration, ainsi que l'alimentation en air de combustion sont conformes à ces instructions concernant le système d'évacuation, le système d'air et la qualité d'air de combustion.

Inspecter soigneusement les conduits d'évacuation fumées et d'aspiration air pour s'assurer qu'ils sont tous étanches et conformes aux instructions fournies, ainsi qu'à toutes les exigences des codes en vigueur.

La fourniture d'un système d'évacuation et d'aération incorrectement installé peut provoquer des blessures corporelles graves ou la mort.

**AVERTISSEMENT**

N'utiliser que les matériaux listés dans la documentation de Rinnai sur les conduits d'évacuation et les raccords. La non observation peut provoquer des blessures corporelles graves, la mort ou des dégâts matériels importants.

**REMARQUE**

L'installation doit être conforme aux exigences locales et au Code National du Gaz combustible ANSI Z223.1 sur les installations aux États-Unis, ou CSA B 149.1 sur les installations canadiennes.

**AVERTISSEMENT**

Pour une installation en placard ou en alcôve, du matériel en CPVC et non en PVC doit être utilisé dans une structure en placard/alcôve. Tout manquement au respect de cet avertissement pourrait provoquer un incendie, des blessures corporelles ou la mort.

**REMARQUE**

Tous les conduits d'évacuation doivent être raccordés et correctement supportés, et l'évacuation doit avoir une pente minimum de ¼ de pouce par pied (21mm/m) dans le sens inverse de la chaudière (pour permettre l'évacuation des condensats). Veuillez consulter le manuel du fabricant de l'évacuation pour savoir si une pente plus grande est nécessaire pour les systèmes spécifiques d'évacuation. La pente d'évacuation requise par le fabricant du système d'évacuation doit toujours être respectée si elle est supérieure à ¼ de pouce (21 mm). L'évacuation concentrique de condensation d'Ubbink requiert une pente de ¾ de pouce par pied (6mm/m).

**REMARQUE**

Les conduites pour l'air de combustion de l'extérieur DOIVENT ÊTRE conformes aux exigences de l'autorité compétente ou, en l'absence de ces exigences, à la dernière édition du Code National du Gaz combustible, ANSI Z223.1/NFPA 54. Au Canada, l'installation doit être conforme aux exigences du code d'installation du gaz naturel et du propane CAN/CSA B149.1.

**REMARQUE**

Voir dans le manuel de fonctionnement des chaudières Rinnai, les renseignements supplémentaires sur l'évacuation.

## 6.7.7 Longueurs des conduits d'air de combustion et d'évacuation fumées

Vous trouverez dans le tableau ci-dessous la longueur équivalente maximale du conduit du système d'évacuation fumées/aspiration air pour un diamètre de 2" et 3". Ces longueurs sont pour des conduits simples (air ambiant-configuration C), des conduits doubles et des systèmes de d'évacuation concentriques.

Max longueur équivalent de vent & modèle spécifique (Dimensions en pied et mètres)							
Pièce #	Type	Q85S/Q130S		Q175C/Q175S		Q205S	
		pied	m	pied	m	pied	m
1	2" PPS Tuyau unique (air ambiant) & tuyau double	40	12.2	---	---	---	---
2	3" PPS Tuyau unique (air ambiant) & tuyau double	100	30.5	80	24.4	40	12.2
3	2" PPS Tuyau double vers 2"/4" PPS Cnctrc. Terminaison	40	12.2	---	---	---	---
4	3" PPS Tuyau double vers 3"/5" PPS Cnctrc. Terminaison	100	30.5	80	24.4	40	12.2
5	3"/5"PP Tuyau Concentrique	100	30.5	80	24.4	40	12.2
6	2" Vent Flex	20	6.1	---	---	---	---
7	3" Vent Flex	50	15.2	40	12.2	20	6.1
8	3" PVC/CPVC Tuyau unique & Tuyau double avec ou sans 3" CVK Terminaison	100	30.5	80	24.4	40	12.2
9	2" PVC	20	6.1	---	---	---	---

Longueurs équivalentes évacuation

tableau 9

Équivalent des tuyau ou raccords PVC		
	pieds	m
Coude 45 degrés	3	0.91
Coude 90 degrés	6	1.83
Conduite en plastique per pied	1	0.30
Kit évacuation concentrique	3	0.91

Pertes équivalentes par frottement de PVC/CPVC

tableau 9a

Equivalent des raccords PPS Centrotherm		
	pieds	m
Coude 45 degrés	6	1.83
Coude 87 degrés long	12	3.66
Termination en T	12	3.66
Conduite parallèle à Concentrique	4	1.22
Kit termination mur profile bas	12	3.66
Cône Vitesse	12	3.66

Pertes équivalentes par frottement de Centrotherm PPC tableau 9b

### Calcul de la longueur équivalente du système d'évacuation

Choisir le type d'évacuation et remplir le tableau correspondant.

\* Voir le tableau longueur équivalente et des tableaux pertes équivalente 2" et 3" ci-dessus.

#### Système parallèle

Longueur de conduit	Nombre de coudes 90° x 6*	Nombre de coudes 45° x 3*	Terminal conc. Ajoutez 5 pieds*	Total	Multipliez avec facteur	Longueur équivalente
<b>Air de combustion</b>						
p	p	p	p	p	0.5	p
<b>Évacuation</b>						
p	p	p	p	p	0.5	p
<b>Longueur équivalent totale</b>						<u>p</u>

#### Système concentrique

Longueur de conduit concentrique, chaudière jusqu'au toit horizontal	Nombre de coudes 90° x 6*	Nombre de coudes 45° x 3*	Terminal conc. Ajoutez 2 pieds*	Total	Multipliez avec facteur	Longueur équivalente
p	p	p	p	p	1.0	p

Exemple de calcul :

Conduit double (parallèle) 2" avec terminal

Longueur d'air de combustion : 40 pieds (12.2 m) avec coude 3 x 90°

Longueur d'évacuation : 40 pieds (12.2 m) avec coude 2 x 90°, coude 2 x 45°

Calcul :

Longueur équivalente air :  $(40+3 \times 6+2) \times 0,5 = 39$  pieds (11.9 m)

Longueur équivalente d'évacuation :  $(40+2 \times 6+2 \times 3+2) \times 0,5 = 39$  pieds (11.9 m) +

Total = 78 pieds (23.8 m).

## 6.7.8 Calcul du facteur de compensation

Le facteur de compensation élimine ou réduit l'effet naturel de réduction de puissance à l'entrée maximum, provoqué par la résistance du système d'évacuation et/ou l'impact de l'altitude.

1. Déterminez le système d'évacuation du facteur de compensation FC(V) dans le tableau ci-après.

Longueur eq. (p)		Type de chaudière			
min	max	Q85	Q130	Q175	Q205
0	10	0	0	0	0
11	20	0	0	2	3
21	30	0	2	4	6
31	40	1	4	6	10
41	60	2	6	10	p.a.
61	80	3	8	15	p.a.
81	100	4	10	p.a.	p.a.

Facteur de compensation FC(V)

tableau 10

2. Déterminez l'altitude du facteur de compensation FC(A) dans le tableau ci-après.

Altitude (p)		Type de chaudière
min	max	Q85, Q130, Q175, Q205
0	1,000	0
1,000	2,000	6
2,000	3,000	12
3,000	4,000	18
4,000	5,000	24
5,000	6,000	30
6,000	7,000	36
7,000	8,000	42
8,000	9,000	48
9,000	10,000	54

Facteur de compensation altitude FC(A)

tableau 11

**Toute application ou installation au-dessus de 10 000 doit être révisée par le groupe technique de Rinnai. Ceci permet de garantir que le produit est installé comme il faut, que l'ensemble du système est correctement conçu et que la mise en service des éléments se déroule correctement. Ne pas impliquer le groupe technique de Rinnai peut annuler l'aide au produit et la garantie.**

3. Calcul du Facteur de Compensation Total FC(T) :

$$FC(T) = FC(V) + FC(A)$$

Le résultat est le réglage pour le paramètre 73.

Changez le paramètre 73 selon ce résultat. Voir au Chapitre 11.1 comment changer des paramètres.

Exemple de calcul :	Q175	
Longueur équiv. du système d'évacuation (tirée de l'exemple précédent)	46 pieds (14 m)	FC(V) = 10
Altitude	7 200 pieds (2 200 m)	FC(A) = 42 +
		FC(V) = 52
Réglage du paramètre (Par. 73) =	52	

**Ne pas surcompenser la chaudière en réglant une valeur supérieure à celle calculée, sinon la chaudière pourrait être endommagée.**



### REMARQUE



### AVERTISSEMENT

## 6.7.9 Système d'air ambiant (air de combustion intérieur- configuration C)

Avec de l'air ambiant, Rinnai recommande fortement d'utiliser un filtre à air pour l'intérieur, P/N 80800025.



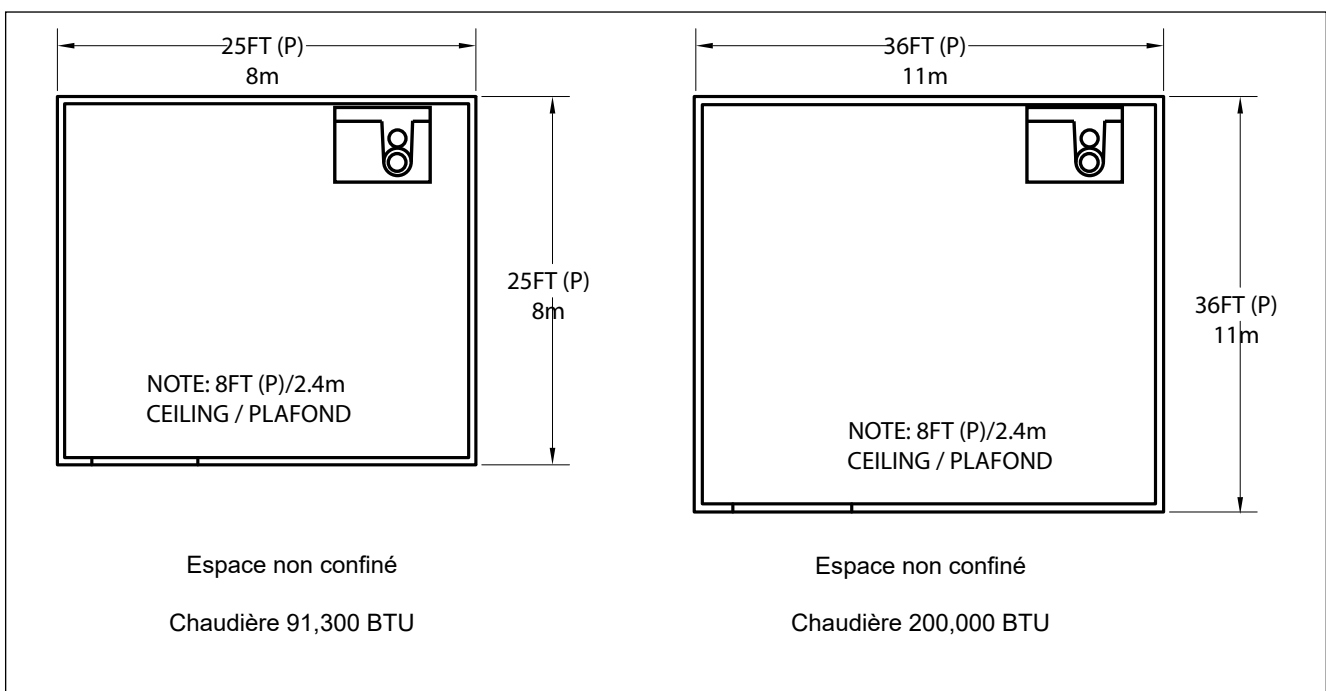
### AVERTISSEMENT

Cette chaudière nécessite un bon air de combustion pour la ventilation et la dilution des fumées. Le fait de fournir de l'air de combustion inadéquat peut provoquer une panne de l'appareil, un incendie, une explosion, de graves blessures corporelles ou la mort. Utilisez les méthodes suivantes pour garantir la disponibilité d'un air de combustion convenable pour un fonctionnement correct et sûr de ce chauffe-eau.

Important : L'air de combustion ne doit pas comporter de produits chimiques corrosifs. Ne pas fournir de l'air de combustion d'environnements corrosifs. Les pannes d'appareil dues à de l'air corrosif ne sont pas couvertes par la garantie limitée. L'air de combustion ne doit pas comporter de produits chimiques générateurs d'acide comme le soufre, le fluor et le chlore. Ces produits chimiques se sont révélés provoquer des dégâts et une dégradation rapides, et peuvent devenir toxiques lorsqu'ils sont utilisés comme air de combustion dans des appareils à gaz. Ces produits chimiques se trouvent, mais pas exclusivement, dans des agents de blanchiment, l'ammoniaque, les litières de chats, les aérosols, les solvants de nettoyage, le vernis, les peintures et les assainisseurs d'air. Ne pas entreposer ces produits ou des produits similaires à proximité de cette chaudière.

#### Espace non confiné :

Un espace non confiné est défini dans la NFPA n° 54 « comme un espace dont le volume n'est pas inférieur à 50 pieds cubiques par 1 000 BTU/heure (4,8 m<sup>3</sup> par kWh) de débit calorifique total de tous les appareils installés dans cet espace. Les pièces qui communiquent directement avec l'espace dans lequel les appareils sont installés par des ouvertures non équipées de portes, sont considérées comme faisant partie de l'espace non confiné. » Si « l'espace non confiné » contenant le ou les appareils se trouve dans un bâtiment avec une structure serrée, de l'air extérieur peut encore être nécessaire à un bon fonctionnement. Les ouvertures d'air extérieur doivent être dimensionnées de la même façon que pour un espace confiné.



Espace non confiné

figure 23

### Espace confiné :

(petite pièce, placard, alcôve, buanderie, etc.)

Un espace confiné est défini dans la NFPA n° 54 « comme un espace dont le volume est inférieur à 50 pieds cubiques par 1 000 BTU/heure (4,8 m<sup>3</sup> par kWh) de débit calorifique total de tous les appareils installés dans cet espace. » Un espace confiné doit avoir deux ouvertures d'air de combustion. Dimensionnez les ouvertures d'air de combustion en fonction de l'entrée BTU pour tout appareil au gaz dans l'espace et la méthode par laquelle l'air de combustion est fourni :

Utilisation de l'air intérieur pour la combustion

Utilisation de l'air extérieur pour la combustion

### Louvres et Grilles

Lorsque l'on dimensionne l'ouverture permanente comme illustrée à la figure 24, une attention doit être apportée à la conception des persiennes ou des grilles pour maintenir la zone libre requise pour tout le matériel utilisant du gaz dans l'espace. Si la zone libre des persiennes ou de la grille n'est pas disponible, supposez que des persiennes en bois auront une zone libre de 25% et des persiennes ou des grilles en métal auront 75% de zone libre. En aucune circonstance les persiennes, la grille ou l'écran doivent avoir des ouvertures inférieures à 1/4".

Exemple :

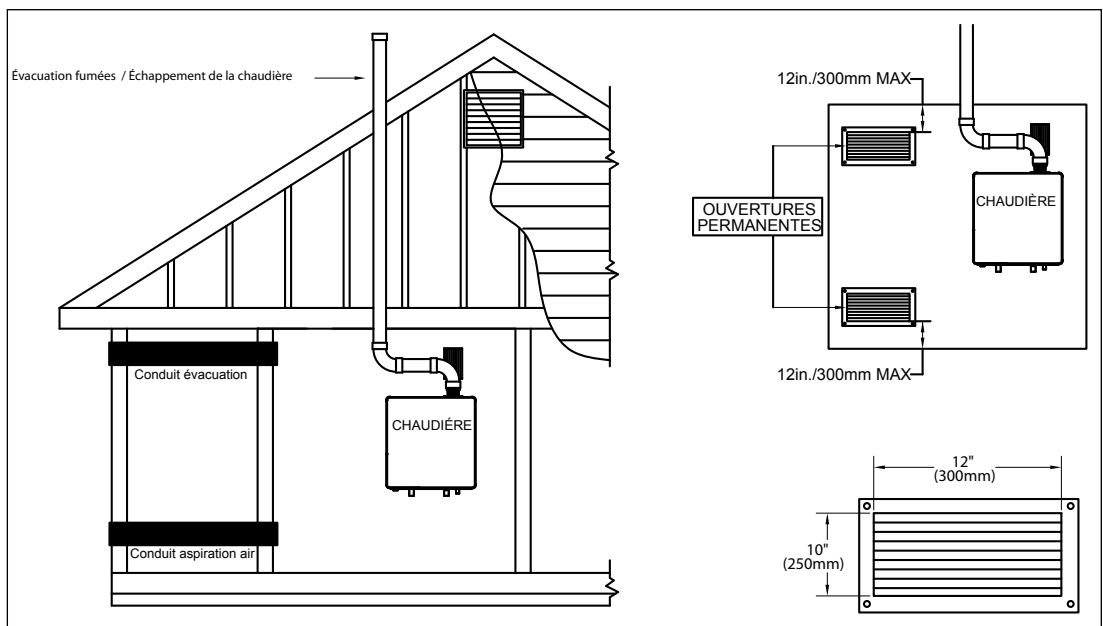
Bois : 10 po x 12 po x 0,25 = 30 po<sup>2</sup>

Métal : 10 po x 12 po x 0,75 = 90 po<sup>2</sup>

### Emplacement

Pour maintenir une bonne circulation de l'air de combustion, deux ouvertures d'air permanentes (l'une en haut, l'autre en bas) doivent être positionnées dans les espaces confinés. Celle du haut doit être placée dans les 12 pouces (30 cm) de l'espace confiné et l'ouverture du bas doit se situer dans les 12 pouces (30 cm) du fond de l'espace confiné. Les ouvertures doivent être positionnées de façon à ne jamais être obstruées.

L'air de combustion fourni à la chaudière ne doit pas être pris d'une région de la structure qui pourrait produire une pression négative (c.-à-d. des ventilateurs d'évacuation, des ventilateurs de ventilation électrifiés).



Persiennes et grilles

figure 24

### Utilisation d'air intérieur pour la combustion

Lorsque l'on utilise l'air d'une ou plusieurs autres pièces du bâtiment, le volume total de la ou des pièces doit être adapté (supérieur à 50 pieds cubiques par 1000 BTU/heure). Chaque ouverture d'air de combustion doit avoir au moins un pouce carré de surface libre pour chaque 1000 BTH/h, et pas moins de 100 pouces carrés chacun.

### Utilisation d'air extérieur pour la combustion

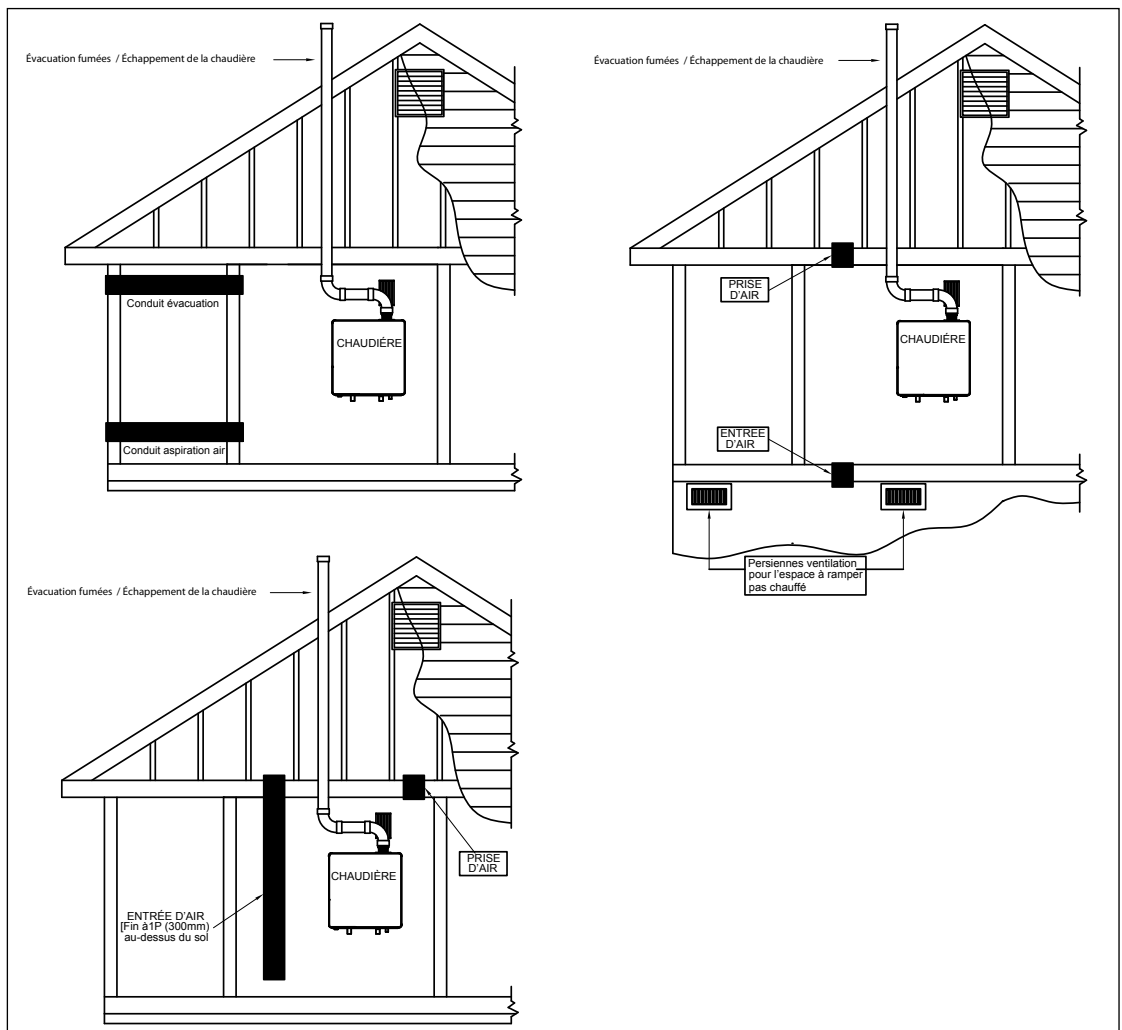
L'air extérieur peut être fourni à un espace confiné par deux ouvertures permanentes, l'une qui commence dans les 12 po. (300mm) au-dessus et l'autre dans les 12 po (300mm) au bas de l'espace confiné. Les ouvertures doivent communiquer avec l'extérieur par l'une des deux voies :

- directement par les conduits horizontaux
- indirectement par les conduits verticaux

Lorsqu'elles communiquent directement avec l'extérieur par les conduits horizontaux, chaque ouverture doit avoir une surface libre de minimum  $1 \text{ po}^2/2000 \text{ BTU/h}$  ( $1100 \text{ mm}^2/\text{kW}$ ) de débit calorifique total de tous les appareils dans l'espace confiné.

Remarque : Si les conduits sont utilisés, la surface de la section du conduit doit être supérieur ou égal à la surface libre requise des ouvertures auxquelles elles sont raccordées.

Lorsqu'elles communiquent indirectement avec l'extérieur par les conduits verticaux, chaque ouverture doit avoir une surface libre de minimum  $1 \text{ po}^2/4000 \text{ BTU/h}$  ( $550 \text{ mm}^2/\text{kW}$ ) de débit calorifique total de tous les appareils dans l'espace confiné. L'air de combustion pour l'appareil peut être fourni à partir d'un grenier bien ventilé ou d'un vide sanitaire.



Persiennes et grilles

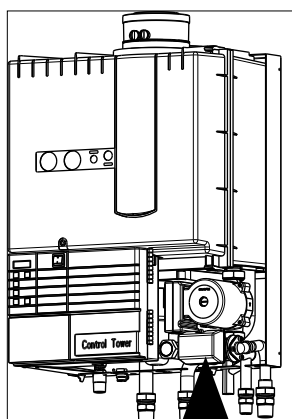
figure 25

## 7 Boilers d'eau chaude sanitaire externes



### AVERTISSEMENT

Notez les exigences des prescriptions locales pour le raccordement d'un boiler externe à la chaudière. L'installation doit être conforme à ces prescriptions.



Selon les exigences pour l'eau chaude sanitaire et les préférences de confort, différents boilers externes peuvent être raccordés à la chaudière.

Le raccordement d'un boiler externe à la Q175C n'est PAS possible.

Le raccordement d'un boiler externe aux chaudières solo de la série Q peut se faire de 2 façons :

1. Pour les Q85S, Q130S, Q175S et Q205S:

A l'aide d'une vanne trois voies en option, installée sur la conduite retour sous la chaudière, entre la chaudière et le kit hydraulique et directement commandée par la commande de la chaudière. Pour les Serie Q Solo, un kit de conversion vannes trois voies intérieur spécial est disponible (voir fig. 26):

- Réf. 804000013: Pour Q85S et Q130S

- Réf. 804000014: Pour Q175S et Q205S

2. Pour les Q85S, Q130S, Q175S et Q205S :

Un boiler externe, raccordé au côté secondaire du kit hydraulique, commandé séparément par un autre dispositif.

La capacité de la chaudière doit être définie par l'installateur.

Le choix du boiler dépend du débit du serpentin.



### REMARQUE

Le débit serpentin du boiler doit se conformer au rendement de la chaudière.

Pour la Q85S ou la Q130S, débit minimal du serpentin doit être de 85 000 BTU/h. Ceci doit empêcher la chaudière de fonctionner en cycles courts.



### REMARQUE

La Q175S et la Q205S ont des rendement limités avec le kit de vannes 3 voies. Les deux chaudières sont limitées à 130 000 BTU/h pour le rendement ECS lorsqu'est utilisé le kit de vannes 3 voies. Veuillez prendre ceci en compte lors du dimensionnement du boiler indirect.



### REMARQUE

Pour obtenir des informations supplémentaires sur la tuyauterie et la commande de boilers indirects, veuillez consulter le manuel de fonctionnement des chaudières Rinnai.



### REMARQUE

Pour obtenir des informations supplémentaires sur le kit de la vanne 3 voies du boiler indirect Rinnai, veuillez consulter le manuel d'installation pour le kit.



### REMARQUE

Rinnai recommande l'utilisation d'un mitigeur thermostatique sur tous les boiler indirects utilisés sur les chaudières de Serie Q côté eau chaude sanitaire pour éviter les brûlures. Cette vanne règle la température de l'eau à la sortie du boiler indirect.

Les branchements électriques à la chaudière doivent être effectués conformément à toutes les prescriptions locales en vigueur et à la dernière version du National Electrical Code, ANSI/NFPA-70. Les installations doivent également être conformes au CSA C22.1 Canadian Electrical Code Part 1, si elles sont faites au Canada.

Les dispositifs tels que la sonde extérieure, le thermostat d'ambiance ou la commande température, la vanne 3 voies (sauf Q175CN/Q175CP), la sonde température ou le thermostat et une pompe externe sont tous connectés au bornier intérieur. Le bornier est située dans le boîtier de commande.

### **Branchement du courant entrant**

Passez le câble par l'arrière de la chaudière à l'aide d'une presse-étoupe et guidez-le à travers des supports de câble vers le boîtier de commande. Utiliser un foret étagé pour porter un coup dans l'acier noir sur le fond de la chaudière pour une décharge de traction. Certains trous pré-perçés peuvent être agrandis pour s'adapter à la décharge de traction différente et aux tubes de connexion. Connectez un câble d'alimentation électrique au bornier du harnais de câblage qui raccorde l'interrupteur général à l'avant du boîtier de commande au bornier avec les positions 1,2, et 3 à l'intérieur du boîtier de commande.



**ATTENTION**

**La chaudière doit être électriquement reliée à la terre conformément aux prescriptions locales, ou en l'absence de codes locaux, au Code électrique national, ANSI/NFPA 70 et/ou au Code électrique CSA C22.1.**

### **RISQUE DE CHOC ÉLECTRIQUE.**

Une fois l'alimentation électrique principale allumée, les bornes 1 à 12 sont en 120V si l'interrupteur principal à l'avant du boîtier de commande est allumé.



**ATTENTION**

- **Aucune modification ne peut être faite au câblage de la chaudière.**
- **Toutes les connexions doivent être conçues conformément à la réglementation en vigueur.**



**ATTENTION**

- **Au moment des contrôles d'entretien, étiquetez tous les fils avant de les débrancher. Des erreurs de câblage risquent de nuire au bon fonctionnement et peuvent être dangereux.**



**ATTENTION**

- **S'assurer du bon fonctionnement une fois l'entretien terminé.**



## REMARQUE

Le thermostat d'ambiance Rinnai et les commandes doivent être raccordés à leurs connexions désignées. Tous les autres types ou marques de thermostats d'ambiance ou de commandes utilisés doivent être équipés d'un contact hors tension.

Si un thermostat ou une commande marche/arrêt est utilisé, il est possible qu'une résistance anticipatrice doive être calibrée, dans le but d'empêcher des fluctuations trop importantes de la température. En règle générale, ceci implique des thermostats à mercure. Ce fil de résistance est présent dans le boîtier de commande et doit être raccordé aux bornes 23 et 27. La résistance anticipatrice dans le thermostat d'ambiance doit être réglée à 0,11 A.

Pour des questions plus détaillées sur les composants non fournis, le distributeur doit être contacté.



## REMARQUE

Lors du câblage de RS100, il est suggéré de placer un pont sur les bornes 22 et 23 ceci au cas où la commande devait être endommagée, la chaudière peut encore s'allumer avec le reset externe. Le pont doit également être utilisé lors de la mise en service ou du dépannage de la chaudière.



## REMARQUE

Les thermostats de types 'power stealing' ne peuvent pas être connectés aux bornes 22 et 23.

### Bornier de connexion série Q

120 V~ Power supply			120 V~ External pump			120 V~ Ext. controller			120 V~			8U352200	Cylinder connection three-way valve				DHW sensor	Outside sensor		Bus Controller		Room therm. On / Off		External safety contact		24 V~ 100 mA	
N	L		N	L		N	L		N	L			CH	DHW	N					A	B						
1	2	3	4	5	6	7	8	9	10	11			12	13	14	15		16	17	18	19	20	21	22	23	24	25
Alimentation secteur			120 Volts pour pompe extérieure			120 Volts Uniquement Rinnai			120 Volts Uniquement Rinnai			Moteur de vanne trois voies interne ou externe et sonde boiler				Sonde extérieure ARV12		Bus thermostat d'ambiance de RS100 uniquement		Thermostat ou commande Marche/Arrêt (hors tension)		Contact de sécurité externe		24 Volts max. 100 mA			



## ATTENTION

### ATTENTION

Assurez-vous que la consommation d'énergie de chacune des bornes 4-5-6 ne dépasse pas 230 W ou 2 Amp.



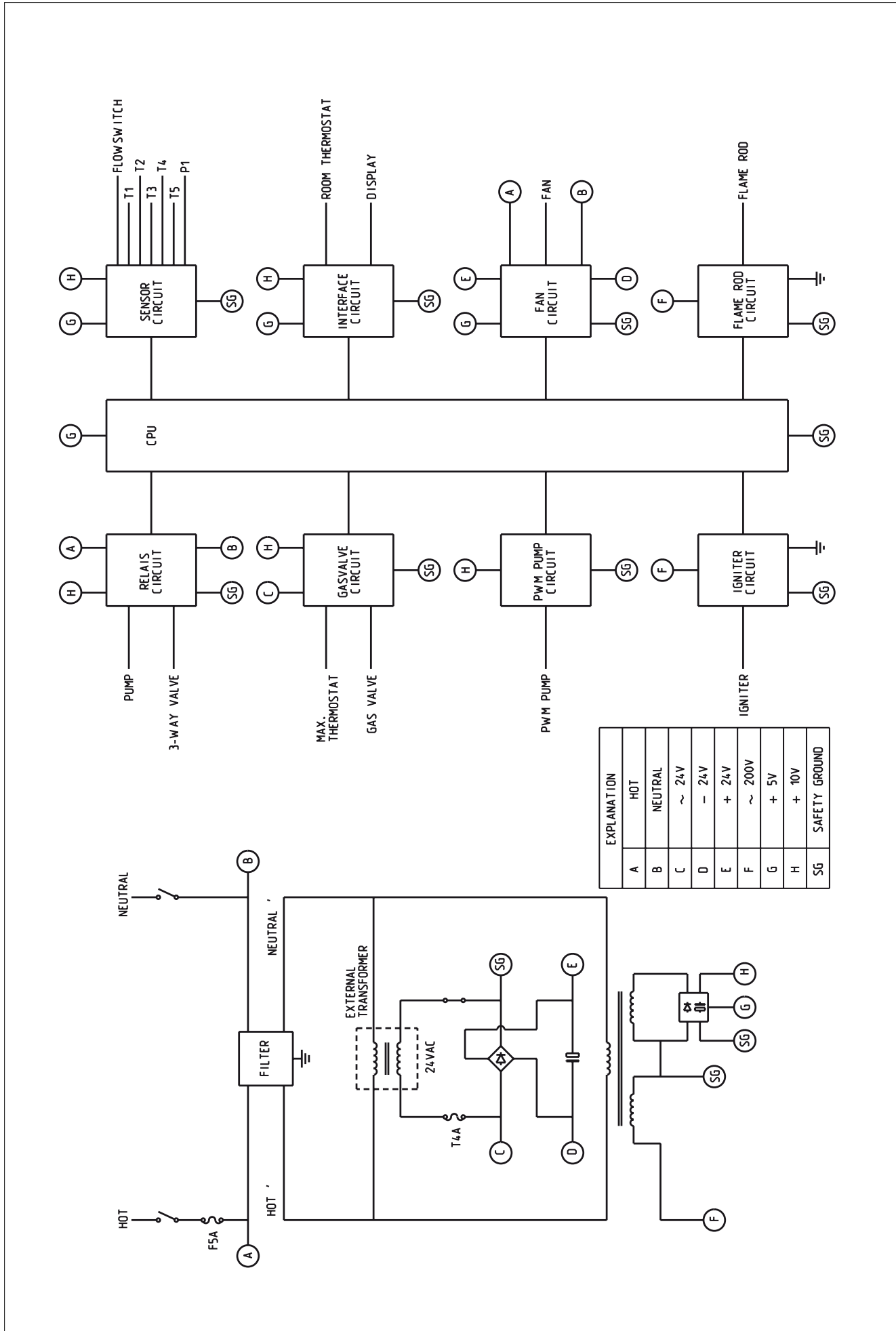


Schéma électrique en échelle

figure 28a

La chaudière est équipée d'une commande à microprocesseur entièrement automatique, appelé Système de Gestion des Commandes (SGC). Cette commande simplifie le fonctionnement en se chargeant de toutes les fonctions principales de commande. Au départ, lorsque l'alimentation de l'appareil est allumée, elle reste en stand-by. Il n'existe aucune indication DEL allumée tant qu'on n'appuie pas sur une des touches de programme. Le panneau de commandes affiche l'état correspondant. Lorsque l'installation est vide, l'affichage indique FILL.

Les différents paramètres peuvent être affichés de deux manières :

### L'affichage Good ou standard

La première façon donne un simple résultat d'affichage.

La chaudière en marche affiche toujours 'Good'. Lorsqu'un message est nécessaire, celui-ci est indiqué à la place de Good.

### Résultat technique

La deuxième façon est un affichage technique. En conditions normales, s'affichent les messages suivants :

- sur la gauche, l'état dans lequel la chaudière est active ;
  - sur la droite, la température départ en °F;
- indiqué alternativement par :
- la pression d'eau dans l'installation en PSI.

Exemple

Exemple

Lorsqu'un message (code erreur ou blocage) est nécessaire, il s'affiche à la place de l'affichage technique.



## REMARQUE

**Pour passer de l'état <Good> à l'affichage technique (et vice versa) :**  
**- Appuyez sur la touche STEP pendant 5 secondes.**

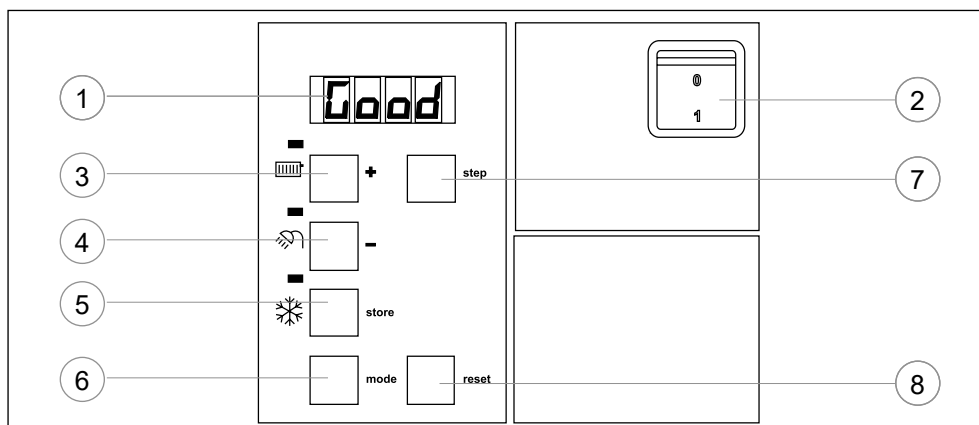
Lorsque le système est rempli, le programme automatique de purge démarre, lorsqu'un programme a été choisi, en appuyant sur le bouton de Chauffage central, ECS ou programme de pompe ( , ou ). Le programme dure 17 minutes et s'arrête automatiquement. Ensuite, l'appareil fonctionne normalement. (Voir également « remplissage et purge de la chaudière et de l'installation, chapitre 10).

Lorsqu'on demande du chauffage ou de l'eau chaude, le système de commande choisit la température de réglage requise de l'eau requise. Cette température de l'eau est appelée valeur de consigne T. Lorsque le chauffage central est demandé, la chaudière s'allume d'abord à faible débit calorifique. Le débit est ensuite modifié progressivement pour atteindre la charge requise. La chaudière fonctionne de cette façon pour éviter les bruits d'eau excessifs et une surchauffe. Lorsqu'une alimentation en eau chaude sanitaire est demandée, la valeur de consigne T de la température d'eau du retour du chauffage central est contrôlée. En fonction de la quantité d'eau sanitaire soutirée du boiler, la température de l'eau de retour du chauffage central, d'où le débit calorifique est réglé, va varier.

**Indication de fonctionnement** (dans la première position d'affichage par résultat technique)

- |  |   |
|--|---|
|  | Pas de demande de chaleur                               |
|  | Phase de pré- / post ventilation                        |
|  | Phase d'allumage  |
|  | Brûleur actif sur chauffage central                     |
|  | Brûleur actif sur eau chaude sanitaire (ECS)            |
|  | Contrôle ventilateur                                    |
|  | Brûleur à l'arrêt avec thermostat d'ambiance en demande |
|  | Temporisation pompe de chauffage                        |
|  | Temporisation pompe de charge ECS                       |
|  | Arrêt brûleur sur température de départ trop haute      |
|  | Programme de purge automatique                          |

## 9.1 Explication des touches de fonctions



Panneau de commande chaudière

figure 29

### REMARQUE

Seul du professionnels agréés, formé pour l'entretien de ces chaudières, est autorisé à effectuer des modifications dans la commande pour calibrer la chaudière à l'installation.



1. **Affichage.** Voir les informations complémentaires à la page précédente.
2. **Interrupteur de MARCHÉ/ARRÊT.** Cet interrupteur commande la mise en marche ou l'arrêt de l'alimentation électrique de la chaudière.

### ATTENTION

N'éteignez la chaudière qu'avec cet interrupteur lorsque le brûleur est éteint.



#### 3. Touche du programme chauffage central.

Mise en marche ou arrêt du chauffage central (DEL marche/arrêt) ;



#### 4. Touche du programme eau chaude.

Mise en marche ou arrêt de l'installation d'eau chaude sanitaire (ECS) (DEL marche/arrêt) ;



#### 5. Touche du programme pompe.

règle la pompe sur circulation d'eau en continu dans le circuit de chauffage central (DEL allumée), ou selon le tempérisation de la pompe sur les programmes s'y rapportant (DEL éteinte) ;

### REMARQUE

Lorsque la pompe est allumée en continu, cela peut provoquer un chauffage non souhaité du circuit de chauffage central pendant l'été.

#### 6. Touche mode.

Après avoir appuyé brièvement, une sélection de chapitres de données peut être retrouvée.

Après avoir appuyé pendant 5 secondes, il est possible d'entrer le code comme décrit au chapitre 11.3 ;

#### 7. Touche Step.

En appuyant brièvement, la pression de l'eau peut être retrouvée, de même que les pages par chapitre.

Après avoir appuyé pendant 5 secondes, il passe de l'affichage Good état à technique et vice-versa ;

#### 8. Touche de Reset.

Après avoir appuyé brièvement pour :

- déblocage d'erreurs ;
- fin du code d'accès ;

Après avoir appuyé pendant 5 secondes, un arrêt du fonctionnement intervient par exemple, pour activer le programme de purge automatique.

Certaines touches ont d'autres fonctions. Ces fonctions ne sont actifs que si, selon la procédure décrite au chapitre 11, le réglage doit être modifié ou les données doivent être récupérées dans le SGC. Ces fonctions sont les suivantes :

3. Touche du programme de chauffage central : fonction + ;
4. Touche du programme d'eau chaude : fonction - ;
5. Touche du programme de pompe : fonction enregistrement, ce qui signifie qu'au moyen de cette Touche, un réglage modifié est confirmé ;
7. Touche Step : défilement dans le chapitre de données.

## 10 Démarrage : Remplissage et purge de la chaudière et de l'installation



### ATTENTION

### ATTENTION

Respectez les règles de sécurité suivantes :

- Toutes les interventions sur l'appareil doivent être effectuées dans un environnement sec.
- Les appareils Rinnai ne peuvent jamais fonctionner sans leur habillage, sauf en cas de maintenance ou de réglages (voir Chapitres 13 et 14).
- Ne laissez jamais des composants électriques ou électroniques entrer en contact avec l'eau.



### REMARQUE

### REMARQUE

Effectuez les tâches suivantes en rapport avec la maintenance, etc. sur un appareil déjà installé :

- Fermez tous les programmes
- Fermez la vanne d'isolement gaz
- Coupez l'alimentation sur l'interrupteur principal
- Fermez les robinets de service (départ et retour)



### REMARQUE

### REMARQUE

Notez ce qui suit lorsqu'une maintenance ou des réglages sont nécessaires :

- L'appareil doit pouvoir fonctionner pendant ces activités ; pour cela, la tension d'alimentation de l'appareil, la pression du gaz et la température de l'eau doivent être maintenues. Assurez-vous que ceci ne soit pas une source de danger potentiel pendant ces activités.



### AVERTISSEMENT

**Après une maintenance ou d'autres activités, vérifiez toujours l'installation de toutes les pièces par lesquelles circule le gaz (à l'aide du test à bulles avec un pulvérisateur de recherche de fuites).**

## 10.1 Exigences du circuit d'eau

Avant de remplir le circuit de chauffage, le système complet, y compris toutes les zones, doit être soigneusement nettoyé et rincé, pour éliminer les sédiments. Rincez jusqu'à ce que de l'eau propre s'écoule sans sédiments. Rinnai suggère d'utiliser un nettoyant agréé pour circuit, pour rincer le système, mais pas la chaudière. Utilisez toujours de l'antigel agréé par Rinnai, voir liste à la fin de ce chapitre.

Les antigels agréés sont le Noble Noburst Aluminum, Rhomar RhoGard Aluminum Safe Multi-Metal. N'utilisez jamais d'osmose inverse, d'eau désionisée ou distillée pour remplir le circuit de chauffage.



### AVERTISSEMENT

**N'utilisez pas de nettoyant ou de mastic à base de pétrole dans le circuit de la chaudière. Des joints d'étanchéité ou des garnitures de la chaudière et du circuit pourraient être endommagés et provoquer des dégâts matériels importants.**

L'installation de chauffage central doit être remplie à l'eau potable.



### AVERTISSEMENT

**N'utilisez que de l'eau potable ou du glycol agréé pour remplir le circuit de chauffage.**

**Lorsque la dureté de l'eau de remplissage est supérieure à 10,5 gpg (200 mg/L) et que le volume de l'installation > 20 L/kW (5,2 gallons/3,412 BTU), l'eau doit être traitée jusqu'à être inférieure à la valeur maximale de 10,5 gpg (200 mg/L). La valeur du pH de l'eau de l'installation doit être entre 6,5 et 8,5.**

Vérifiez la valeur du pH à l'aide du matériel adéquat ou en faisant analyser l'eau par une société de traitement de l'eau.

Si le pH diffère des valeurs ci-dessus, contactez les techniciens de Rinnai pour une assistance supplémentaire.

 REMARQUE

**Le non-respect des exigences de qualité d'eau entraîne l'annulation de la garantie limitée.**

**Protection contre le gel**

La protection contre le gel pour des systèmes neufs ou existants doit utiliser du glycol spécialement formulé à cet effet. Ceci comprend les inhibiteurs, qui empêchent le glycol d'attaquer les composants métalliques. Ceci concerne les composants polymétalliques. Assurez-vous que la concentration en glycol et le niveau d'inhibiteur du liquide du circuit soient corrects. Le circuit doit être testé au moins une fois par an et comme le recommande le fabricant de la solution de glycol. La concentration autorisée est 50% maximale.

 REMARQUE

**N'utilisez que des inhibiteurs agréés par Rinnai. Voir ci-dessous la liste des inhibiteurs agréés.**

 AVERTISSEMENT

**N'utilisez que des solutions de propylène glycol inhibées, qui sont spécialement formulées pour les systèmes de chauffage central. L'éthylène-glycol est toxique et peut attaquer les garnitures et les joints dans la chaudière et le circuit. Les glycols agréés figurent dans la liste en dessous.**

 REMARQUE

**Les additifs dans l'eau de l'installation ne sont pas autorisés.**

**Antigels agréés:** • Rhomar RhoGard Mutli-Metal (AL safe)  
(concentration max. 50%) • AL Noburst Noble

**Nettoyants système agréés:** • Noble Noburst Hydronic System Cleaner  
• Fernox F3 Cleaner  
• Hydro-Solv Rhomar 9100

 REMARQUE

**Les nettoyants pour circuit de NoBurst, Rhomar et Fernox ne doivent pas être utilisés dans la chaudière. La chaudière doit être isolée par des vannes (fermées) du reste du circuit ou débranchée, tant que du nettoyant se trouve dans le circuit. Le circuit doit être vidangé puis soigneusement rincé à l'eau propre pour évacuer tout le nettoyant du circuit.**

**Inhibiteurs agréés:** • Rhomar Pro-Tek 922  
• Noble Noburst AL inhibiteur

## 10.2 Remplissage du circuit de chauffage




Pour remplir ou faire le plein de l'installation, il vous faut utiliser la boucle de remplissage selon la procédure suivante :

1 Allumez l'alimentation électrique ;

**FILL**

2 L'affichage indique FILL ;



3 Toutes les fonctions arrêtées (chauffage , ECS  et pompe 



4 Appuyez brièvement sur le bouton 'STEP' : P XX (XX = pression d'eau en PSI) ;

5 Ouvrez la boucle de remplissage (l'indication sur l'affichage augmente);

**P 22**

6 Remplissez lentement entre 16 et 18 PSI (1.1 et 1.3 bar);

**STOP**

7 STOP apparaît sur l'affichage ;

8 Fermez la boucle de remplissage ;

9 Purgez l'installation complète, démarrez au point le plus bas ;

10 Vérifiez la pression de l'eau et, si nécessaire, refaites le plein ;

11 Fermez la boucle de remplissage ;



12 Activez les fonctions utilisées (chauffage , ECS et/ou pompe );

13 Si A XX apparaît sur l'affichage, attendez 17 minutes ;

14 Vérifiez la pression de l'eau et, si nécessaire, faites le plein jusqu'à 16 à 18 PSI ;

15 Fermez la boucle de remplissage ;



16 Appuyez sur le bouton 'STEP' ;

17 Assurez-vous que la boucle de remplissage est fermée.

**A XX**

18 A la fin du programme de purge automatique (A XX), la chaudière revient au

**Good 0 XX**

l'affichage Good ou technique.

Vérifiez régulièrement la pression de l'eau et, si nécessaire, remplissez l'installation. La pression normale de fonctionnement de l'installation doit être entre 16 et 18 PSI (1.1 et 1.3 bar) lorsque le système est froid.

**L'évacuation de l'air d'une installation pleine peut prendre un moment. Particulièrement pendant la première semaine, des bruits peuvent indiquer la présence d'air. La purge automatique de la chaudière va dégager l'air, ce qui implique que la pression de l'eau peut diminuer pendant cette période et il sera donc nécessaire de refaire le plein d'eau.**

**REMARQUE**

En fonctionnement normal, les messages suivants peuvent apparaître avec le suivi nécessaire :

**FILL**

La pression de l'eau est trop faible (< 10 PSI / 0.7 bar), l'indication FILL reste visible en continu, la chaudière est mise hors fonctionnement. Le plein de l'installation doit être refait.



La pression de l'eau est trop faible (< 12 PSI / 0.8 bar), l'indication FILL clignote en alternance avec l'indication de la pression d'eau, la chaudière peut fonctionner à 50%. Le plein de l'installation doit être refait.

**HIGH**

La pression de l'eau est trop élevée (> 42 PSI / 3 bar), si l'indication HIGH reste visible en continu, la chaudière est mise hors fonctionnement. La pression de l'installation doit être diminuée en évacuant de l'eau

**10.3 Production d'eau chaude (uniquement Q175C)**

Appliquez la pression du tuyau d'eau au boiler (ouvrez le robinet principal et/ou fermez le robinet du groupe de sécurité).



Purgez le boiler et l'installation d'eau chaude en ouvrant un robinet d'arrêt d'eau chaude. Laissez le robinet ouvert aussi longtemps que nécessaire jusqu'à ce que l'air disparaisse du boiler et des tuyaux et qu'uniquement de l'eau coule du robinet d'arrêt.

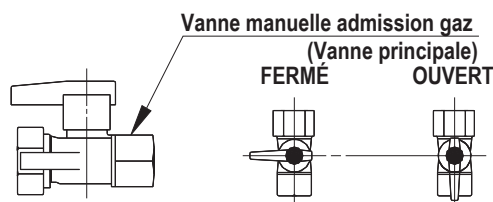
## POUR VOTRE SÉCURITÉ LISEZ AVANT DE METTRE EN MARCHÉ

**AVERTISSEMENT:** Quiconque ne respecte pas à la lettre les instructions dans la présente notice risque de déclencher un incendie ou une explosion entraînant des dommages matériels, des blessures corporelles ou la mort.


- A. Cet appareil ne comporte pas de veilleuse. Il est muni d'un dispositif d'allumage qui allume automatiquement le brûleur. Ne tentez pas d'allumer le brûleur manuellement.
- B. **AVANT DE FAIRE FONCTIONNER**, reniflez tout autour de l'appareil pour déceler une odeur de gaz. Reniflez surtout près du sol, car certains gaz sont plus lourds que l'air et peuvent s'accumuler au niveau du sol.  
**QUE FAIRE SI VOUS SENTEZ UNE ODEUR DE GAZ:**
  - Ne pas tenter d'allumer d'appareil.
  - Ne touchez à aucun interrupteur; ne pas vous servir des téléphones se trouvant dans le bâtiment.
  - Appelez immédiatement votre fournisseur de gaz depuis un voisin. Suivez les instructions du Fournisseur.
  - Si vous ne pouvez joindre le fournisseur, appelez le service des incendies.
- C. Ne poussez ou tournez la manette d'admission du gaz qu'à la main ; ne jamais utiliser d'outils. Si la manette reste coincée, ne pas tenter de la réparer ; appelez un professionnel agréé. Le fait de forcer la manette ou de la réparer peut déclencher une explosion ou un incendie.
- D. N'utilisez pas cet appareil si des pièces ont été immergées. Faites immédiatement inspecter l'appareil par un professionnel agréé et faites remplacer chaque pièce du système de commande et toute pièce de commande gaz qui ont été plongées dans l'eau.

## INSTRUCTIONS DE MISE EN MARCHÉ

1. **ARRÊTEZ !** Lisez l'information de sûreté au-dessus de cette étiquette.
2. Coupez l'alimentation électrique de l'appareil.
3. Réglez le thermostat ou autre commande de fonctionnement au réglage le plus bas.
4. Cet appareil est muni d'un dispositif d'allumage qui allume automatiquement le brûleur.  
Ne tentez pas d'allumer le brûleur manuellement.
5. Fermez la vanne de coupure gaz principale. 
6. Attendez cinq (5) minutes pour laisser échapper tout le gaz. Reniflez tout autour de l'appareil, y compris près du sol, pour déceler une odeur de gaz. Si vous sentez une odeur de gaz, **ARRÊTEZ !** Passez à l'étape B des instructions de sécurité au-dessus de cette étiquette. S'il n'y a pas d'odeur de gaz, passez à l'étape suivante.
7. Ouvrez la vanne de coupure gaz principale. 
8. Réglez le thermostat ou autre commande de fonctionnement au réglage désiré.
9. Mettez l'appareil sous tension.
10. Si l'appareil ne se met pas en marche, suivez les instructions intitulées « Comment couper l'alimentation gaz de l'appareil » et appelez un technicien agréé ou le fournisseur de gaz.



## COMMENT COUPER L'ALIMENTATION GAZ DE L'APPAREIL

1. Coupez tout le courant électrique à l'appareil s'il faut effectuer l'entretien.
2. Réglez le thermostat ou autre commande de fonctionnement au réglage le plus bas.
3. Fermez la vanne de coupure gaz principale. 

## 11 Réglages

Quand la chaudière est installée, le logiciel a déjà été préprogrammé à l'usine. Tous les réglages du logiciel de la commande chaudière sont déjà préprogrammés pour un système de chauffage, avec des radiateurs/convecteurs à une température départ de 176°F. Les réglages sont décrits au chapitre Paramètres à la page suivante.

Dans certains cas, les paramètres doivent être modifiés, notamment en cas de :

- Température départ plus basse
- Altitude élevée/grande longueur d'évacuation
- Température départ minimum



### ATTENTION

**Le calcul évacuation / altitude doit toujours être effectué pendant la mise en service de la chaudière.**

Lisez le chapitre des Paramètres pour régler la chaudière suivant son installation. Contactez Rinnai en cas de doute.



### REMARQUE

**Seul du professionnels agréés, formé pour l'entretien de ces chaudières, est autorisé à effectuer des modifications dans la commande pour calibrer la chaudière à l'installation.**

## 11.1 Modification des réglages

**STEP 1 Appuyez sur la touche Mode pendant 5 secondes.**

*L'affichage indique CODE suivi d'un nombre arbitraire ;*

**STEP 2 Appuyez au moyen des touches + ou – jusqu'à ce que le code C123 s'affiche ;**

**STEP 3 Appuyez sur le bouton STORE pour confirmer le code (le code clignote 1 x).**

*Vous avez maintenant accès au niveau de l'installateur. Il existe 4 chapitres:*

- **PARA** Paramètres
- **INFO** Chapitre Informations (aucun réglage possible)
- **SERV** Chapitre Service
- **ERR** Chapitre Erreurs (aucun réglage possible)

*Le contenu des chapitres est décrit aux pages suivantes.*

**STEP 4 Appuyez brièvement sur le bouton MODE pour sélectionner un des 4 chapitres;**

**STEP 5 Appuyez brièvement sur le bouton STEP pour sélectionner un Paramètre**  
*(paramètre visible sur la gauche, valeur sur la droite) ;*

**STEP 6 Modifiez cette valeur si nécessaire/possible, au moyen de la touche + ou -**

**STEP 7 Appuyez brièvement sur le bouton STORE pour confirmer la modification.**

*Lorsqu'il vous faut changer davantage de valeurs, répétez à partir de l'étape 5.*

**STEP 8 Appuyez une fois ou plus sur le bouton MODE, jusqu'à ce que Good s'affiche :**

*Après quelques secondes, le texte StBY est remplacé par l'affichage technique ou l'état Good (selon la position à laquelle le code d'accès a été entré)*

*Lorsque vous voulez revenir d'une position arbitraire au résultat original, appuyez une ou plusieurs fois sur le bouton MODE, jusqu'à ce que StBY s'affiche.*



### REMARQUE

**Si aucune touche n'est utilisée dans les 20 minutes, l'affichage revient automatiquement à son affichage d'origine (état Good ou affichage technique)**

Parameter Mode			
PARA	FACTORY	DESCRIPTION	RANGE
1	176°F	maximum supply temperature CH	68 - 176°F
2*	00	type of CH installation:	00 - 04
		No pre-selection made.	00
		Radiators, air heating, or convectors:	
		T max. supply 176°F K factor heating curve 2.3; gradient 10°F/min; gear differential 10°F	01 DO NOT USE
		radiators with large surface areas or underfloor heating as additional heating:	02
		T max. supply 158°F K factor heating curve 1.8; gradient 10°F/min; gear differential 10°F	
		under floor heating with radiators as additional heating:	03
		T max. supply 140°F; K factor heating curve 1.5; gradient 8°F/min; gear differential 8°F	
		full under floor heating:	04
		T max. supply 122°F; K factor heating curve 1.0; gradient 6°F/min; gear differential 6°F	
3	max.	maximum power CH in kW (.. x3415 = .. BTU/hr)	min-max
4*	00	control principal with on / off thermostat:	
		100 % on / off thermostat	00
		constant water circulation 22&23 closed contact day curve operation, open contact night curve operation	01
5*	2.3	heating curve K-factor (see also heating curve graph)	0.2 - 3.5
6*	1.4	heating curve exponent (see also heating curve graph)	1.1 - 1.4
7*	14°F	heating curve climate zone (see also heating curve graph)	-4 - 32°F
10*	0°F	fine adjustment heating curve day temperature	-8 to 10°F
11*	0°F	fine adjustment heating curve night temperature	-8 to 10°F
14	10°F/min.	gradient speed °F/min.	0 - 28°F/min.
15*	00	Booster after night decrease*:	
		no	00
		yes	01
23	26°F	Frost Temperature	-4 to 50°F
27	32°F	Minimum T-set CH	0 - 158°F
36	10	Type of three way valve and DHW facility	
		VC 2010 / VC 8010	x0
		Warming function plate heat exchanger ON	1x
		Warming function plate heat exchanger OFF	2x
43	max.	Maximum power DHW in kW (.. x3415 = .. BTU/hr)	min-max
49	100%	Maximum pump capacity heating	100 %
73	0	Altitude and venting CFT. See chapter 6.7.7	0 - 100
89	00	Address	
		No function	-01
		Bus thermostat	00
90	01	Display reading	
		°C and Bar	00
		°F and PSI	01

Info Mode			
INFO	FACTORY	DESCRIPTION	RANGE
1	°F	supply water temperature T1	
4	°F	return water temperature T2	
5	°F	DHW temperature T3	
7	°F	outdoor temperature T4	
8	°F	flue gas temperature T5 (optional sensor)	
16	%	actual power in %	
17	kW	actual power in kW (.. x3415 = .. BTU/hr)	
18	kW	actual load in kW (.. x3415 = .. BTU/hr)	
20		indication bus communication	
21	GJ	consumption total in GJ (.. x 33 = .. m3)	
22	GJ	consumption CH in GJ (.. x 33 = .. m3)	
23	GJ	consumption DHW in GJ (.. x 33 = .. m3)	
24	h	total number of burner run hours	
25	h	number of burner run hours CH	
26	h	number of burner run hours DHW	
32	h	total number of hours counter	
37	h	total number of run hours pump CH and DHW	
46	h	within how many hours is service required	

Service Mode			
SERV	VALUE	DESCRIPTION	RANGE
1	OFF	boiler in operation with burner function on	OFF - max.
2	OFF	fan adjustable and burner off	OFF - max.
3	OFF	pump adjustable with burner on	OFF - max.
4	OFF	showroom position ON = active and OFF = non active	ON - OFF

Error Mode		
ERRO	VALUE	DESCRIPTION
Err.L - Err.5		
Last saved error until 5 last previous errors		
1		error code
2		operation status boiler
3	°F	supply water temperature T1
4	°F	return water temperature T2
5	kW	load (.. x3415 = .. BTU/hr)
6	%	pump capacity

Chapitres Paramètres, Infos, Service et Erreurs

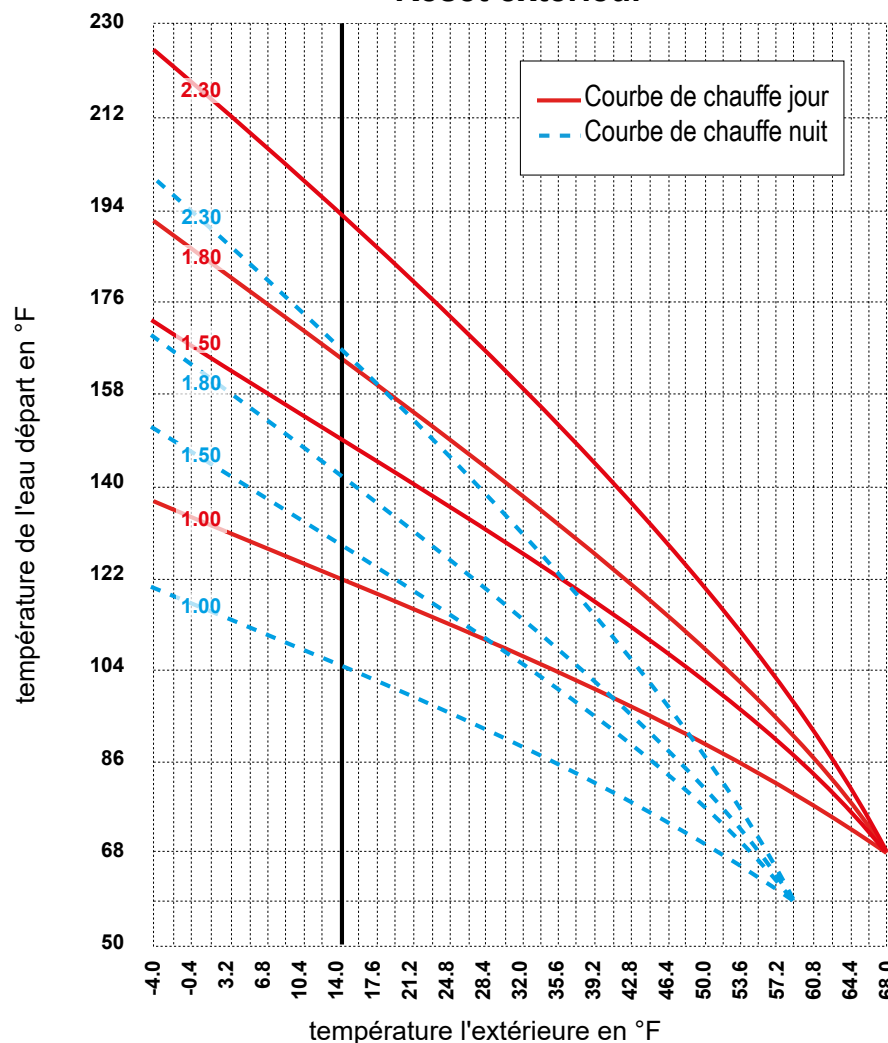
Tableau 12



### REMARQUE

\* La plupart des données de ce tableau peuvent être demandées par le RS100. La plupart des réglages indiqués dans ce tableau ne sont pas nécessaires lorsqu'ils sont combinés au thermostat RS100 de Rinnai ; ils seront pris en charge par le RS100 lui-même et ne devront pas être effectués. Pour obtenir d'autres informations concernant le thermostat RS100, consultez le manuel d'installation du RS100 de Rinnai.

### Reset extérieur

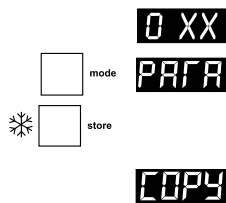


Réglage de courbe de chauffe avec Paramètre <Step> 6 et 7

graphique 2

## 11.2 Activation des réglages d'usine (fonction touche vert)

Pour réactiver les réglages d'usine, veuillez suivre la procédure suivante (Note: tous les réglages modifiés seront mis à leurs réglages d'usine originaux qui sont accessibles dans le niveau de service actuel, de la chaudière est en soit utilisateur ou 123) :






- Sélectionnez si nécessaire, l'affichage technique ;
- Sélectionnez à l'aide de la touche MODE Chapitre PARA ;
- Appuyez sur le bouton STORE.

Le mot "Copy" s'affiche et les réglages d'usine sont à nouveau actifs.

## 12 Isoler de la chaudière



Certaines situations nécessitent d'arrêter complètement la chaudière.

En éteignant les trois touches à DEL de chauffage central, d'eau chaude et du programme de pompe ( ,  ou  ), la chaudière est éteinte. Ne coupez pas l'alimentation électrique de la chaudière, ce qui permet que la pompe de circulation et la vanne trois voies sont activées une fois par 24 heures, afin d'éviter que ses pièces ne se bloquent.



**ATTENTION**

**En cas de danger de gel pendant qu'une chaudière est isolée, il est conseillé de vidanger la chaudière et/ou l'installation.**

## 13 Mise en service

### REMARQUE

Le travail sur la chaudière doit être effectué par un professionnel agréé utilisant correctement des instruments calibrés, avec une certification de test valide. Ces instructions d'installation sont destinées aux professionnels agréés qui ont une connaissance suffisante et sont agréés pour travailler sur les systèmes de chauffage et de gaz.

Avant d'allumer la chaudière, assurez-vous que cette dernière et le système sont bien purgés et vides d'air. Purgez la conduite de gaz entre le compteur gaz et la chaudière.

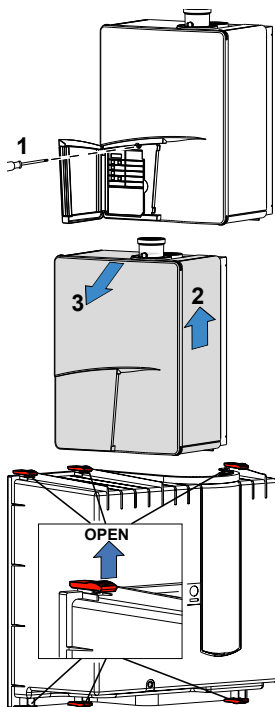
### AVERTISSEMENT

Le fait de ne pas effectuer une mise en service appropriée de la chaudière telle que décrite à la section 13 peut provoquer un fonctionnement peu sûr du brûleur, une vie réduite des composants et un fonctionnement dangereux de la chaudière.

### REMARQUE

La chaudière et sa vanne d'arrêt individuelle doivent être débranchées du circuit des conduites de gaz pendant tous les tests de pression de cette installation, à des pressions d'essai excédant 1/2 PSI (3,5 kPa).

Pour mettre la chaudière en service, l'habillage doit être retiré. L'habillage est verrouillé par une vis derrière la porte avant (figure 30) et le dessus de l'habillage est suspendu derrière une arête de blocage. Après avoir retiré cette vis, l'habillage doit être soulevé par le bas en le libérant de l'arête de blocage. L'habillage peut alors être retiré vers l'avant.



Retirer l'habillage figure 30

Derrière l'habillage apparaît la boîte à air transparente.

Retirez cette boîte à air uniquement en cas d'entretien ou de maintenance. Voir figure 30.

Les réglages de la chaudière, comme la pression du brûleur et le réglage de la quantité d'air, ne sont pas nécessaires dans la plupart des cas, en raison du fait que la chaudière fonctionne avec une commande de zéro de pression. Ceci signifie que la quantité correcte de gaz est contrôlée par l'opération d'aspiration du ventilateur. Le réglage fin de la pression zéro effectué en usine l'est une fois pour toutes, ce qui signifie que le réglage de cette valeur n'est pas nécessaire. Uniquement en cas de remplacement de la vanne gaz, du venturi et/ou du ventilateur, le réglage de la pression zéro doit être vérifié et, si nécessaire, réglé à la bonne valeur.

### AVERTISSEMENT

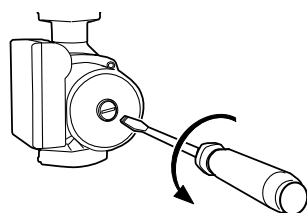
Le venturi doit toujours être contrôlé et ajusté s'il est hors échelle, voir section 13.3 sur le réglage de l'O<sub>2</sub>.

### DANGER

Vérifiez toujours l'installation de toutes les pièces par lesquelles circule le gaz (à l'aide du test à bulles et d'un pulvérisateur de recherche de fuites).

La procédure de mise en service de la pompe doit être suivie avant que la chaudière soit mise en route la première fois :

1. Retirez la vis d'aération de la pompe
2. Utilisez un petit tournevis plat pour assurer la rotation libre de la turbine.
3. Quand la turbine tourne librement et que l'eau sort par le port d'aération, la pompe est prête à fonctionner.
4. Remettez la vis d'aération



mise en service de la pompe figure 30a

Pendant la mise en service de la chaudière, la carte Rinnai d'installation, de mise en service et d'entretien doit être remplie.

## 13.1 Recherche des fuites de gaz

Avant de démarrer la chaudière, vous devez vérifier l'étanchéité extérieure de la vanne d'alimentation gaz et le confirmer dans le rapport de démarrage.

 **AVERTISSEMENT**

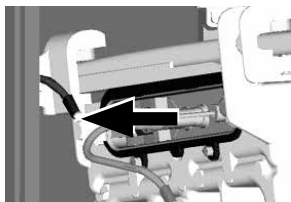
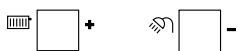
- Avant d'effectuer le test de fuites sur la chaudière, assurez-vous que toutes les pièces de la chaudière, comme l'électronique et le câblage soient correctement couverts et protégés contre l'agent de tests de fuite.
- Ne pulvérisez pas d'agent de recherche de fuites sur les câbles, les prises, les conduites de connexion électriques ou les circuits imprimés électroniques. Ne le laissez pas non plus leur couler dessus.

 **DANGER**

**Des fuites peuvent affecter les tuyaux et les raccords vissés pendant la mise en service et les opérations de maintenance.**

- Effectuez une recherche de fuites correcte.
- N'utilisez que des agents de recherche de fuites agréés.
- Débranchez le circuit de chauffage de l'alimentation électrique.
- Vérifiez l'étanchéité extérieure des nouvelles sections de conduites jusqu'à et y compris le point d'étanchéité direct sur le raccord du brûleur gaz. La pression maximale de test autorisée à l'entrée du raccord du brûleur gaz est de 14 pouces CE (35 mbar).

## 13.2 Test du dispositif d'arrêt de sécurité de l'allumage



- Eteignez le système à l'aide du bouton de chauffage central et de la touche d'ECS
- Débranchez la fiche de la prise du câble d'ionisation.



- Allumez le système à l'aide de la touche de CC et de la touche d'ECS.
- Appuyez sur la touche Mode pendant 5 secondes.
- L'affichage indique CODE suivi d'un nombre arbitraire ;
- Sélectionnez le code C123 à l'aide de la touche + ou - ;
- Appuyez sur la touche STORE pour confirmer le code (le code clignote 1 x) ;
- Appuyez sur la touche MODE jusqu'à ce que SERV s'affiche ;
- Appuyez une fois sur la touche STEP jusqu'à ce que 1 s'affiche ;  
*1 et OFF s'afficheront alternativement.*
- Appuyez une fois sur la touche + ;

*Vérifiez si la chaudière effectue un seul essai de démarrage et quatre essais de redémarrage. Après le dernier essai de démarrage, la chaudière se verrouille. Le robinet du gaz est fermé.*

Le code E02 clignote sur l'affichage.



- Branchez la fiche dans la prise du câble d'ionisation.
- Appuyez sur la touche RESET.
- Vérifiez si la chaudière démarre.



## ATTENTION

Ne touchez pas l'intérieur du câble d'allumage lorsqu'il est débranché pendant le démarrage de la chaudière.

### 13.3 Vérification de l'O<sub>2</sub> à puissance maximale (Étape 1/3)



#### REMARQUE

Le réglage du pourcentage d'O<sub>2</sub> est nécessaire pour vérifié lors de la mise en service, de la maintenance et des pannes et ajusté si nécessaire.



#### AVERTISSEMENT

Le pourcentage d'O<sub>2</sub> est nécessaire pour vérifié et ajusté après une conversion du gaz naturel au gaz propane ou du gaz propane au gaz naturel. Ce processus doit être effectué avec un analyseur de combustion calibré qui a été réglé sur le bon type de gaz.

Le contrôle O<sub>2</sub> se compose de 2 étapes ou, si nécessaire, 3 étapes:

Étape 1: Contrôle sur pleine charge

Étape 2: Contrôle sur faible charge

Étape 3: Réglage

Étape 1: Contrôle O<sub>2</sub> sur pleine charge

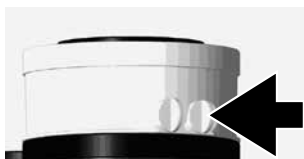
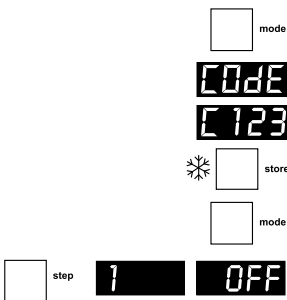
Pour tous les appareils, le réglage de l'O<sub>2</sub> est effectué en usine sur gaz naturel E. Une mesure de contrôle de l'O<sub>2</sub> calibré doit être effectuée à la mise en service.

- Assurez-vous que la chaudière fonctionne et qu'elle peut évacuer la chaleur qu'elle produit.

#### Réglage de la puissance maximale

Réglez la puissance maximale (pleine charge) de l'appareil comme suit :

- Appuyez sur la touche MODE pendant 5 secondes.
- L'affichage indique CODE, suivi d'un nombre arbitraire ;
- Sélectionnez le code C123 à l'aide de la touches + ou - ;
- Appuyez sur la touche STORE pour confirmer le code (le code clignote 1 x) ;
- Appuyez sur la touche MODE jusqu'à ce que SERV s'affiche ;
- Appuyez une fois sur la touche STEP jusqu'à ce que 1 s'affiche ; 1 et OFF s'afficheront alternativement.
- Calibrez l'oxymètre ;
- Placez la sonde d'O<sub>2</sub> dans le point de contrôle (voir fig. 31) ;
- Appuyez sur la touche + jusqu'à ce que la valeur maximale (en kW) soit atteinte ;  
La chaudière va brûler à pleine charge (valeur affichée en kW)  
valeur en BTU/hr = x3415
- Contrôlez que les valeurs d'O<sub>2</sub> ci-dessous correspondent avec la valeur mesurée.



point de contrôle O<sub>2</sub> figure 31

Après le réglage, contrôlez à nouveau la valeur d'O<sub>2</sub> à la puissance minimale (voir étape 2 page 156). S'il y a eu de modifications, elles doivent être corrigées (voir étape 3 page 157).



#### REMARQUE

Choisissez la bonne valeur d'O<sub>2</sub> selon le type de gaz (Gaz naturel ou Gaz propane). Un mauvais réglage peut provoquer des dégâts matériels, des blessures corporelles ou la mort.

Contrôle réglage O <sub>2</sub> sur pleine charge (Étape 1)		
Pleine charge	Gaz naturel	Gaz propane
O <sub>2</sub>	Nominale 4.7%	Nominale 5.1%
	Minimale 3.6%, maximale 5.5%	Minimale 4.1%, maximale 5.8%

Les valeurs sont valide avec la boîte à aire fermé.

## 12.3.1 Checking the O<sub>2</sub> a puissance minimale (Étape 2/3)

### Étape 2: Contrôle O<sub>2</sub> sur faible charge

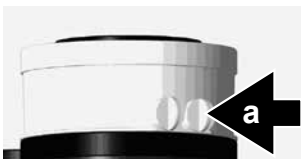
#### Régler la puissance minimale

Réglez la puissance minimale (faible charge) de l'appareil comme suit :

- Appuyez sur la touche - jusqu'à ce que la valeur minimale (en kW) soit atteinte;  
La chaudière va brûler à puissance minimale (valeur affichée en kW)  
valeur en BTU/hr = x3415

#### REMARQUE

Lors du réglage de la charge de max. à min., il est conseillé de s'arrêter à charge moyenne afin de permettre la chaudière de se stabiliser. Une réglage rapide de max. à min. pourrait forcer la chaudière dans un état d'erreur.



- Effectuez la mesure de contrôle de l'O<sub>2</sub> avec l'appareil de mesure. Les valeurs déterminées doivent se situer dans les plages de mesure ci-dessous.

La valeur d'O<sub>2</sub> à puissance réduite doit toujours être supérieure à la valeur de O<sub>2</sub> à pleine puissance. La mesure doit être effectuée jusqu'à ce qu'un résultat de mesure constant se soit établi. Si les valeurs se trouvent en dehors de la tolérance, prenez contact avec Rinnai.

Fin de la procédure de mesure de d'O<sub>2</sub> :

- Appuyez sur le bouton – jusqu'à ce que **OFF** s'affiche (maintenez le bouton enfoncée). La procédure est alors terminée.

#### REMARQUE

Choisissez la bonne valeur d'O<sub>2</sub> selon le type de gaz (Gaz naturel ou Gaz propane). Un mauvais réglage peut provoquer des dégâts matériels, des blessures corporelles ou la mort.

Contrôle réglage O <sub>2</sub> sur faible charge (Étape 2)		
Faible charge	Gaz naturel	Gaz propane
O <sub>2</sub>	Au moins 0.5 % plus élevée que celle mesurée à charge maximale	Au moins 0.2 % plus élevée que celle mesurée à charge maximale
	Maximale 7.5%	Maximale 7.3%

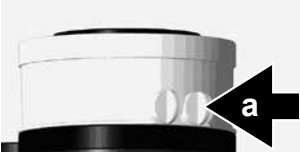
Les valeurs sont valide avec la boîte à aire fermé.

## 12.3.2 Réglages sur la vanne de gaz (Étape 3/3)

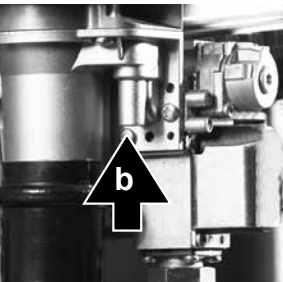
### Étape 3: Réglages sur la vanne de gaz

#### **i** REMARQUE

Seulement si les valeurs mesurées sont en dehors de la plage indiqué dans la tableau sur la page précédente.



- Ouvrez l'appareil comme décrit en page 163.
- Retirez le couvercle noir de la vanne gaz, en dévissant la vis scellée.
- Réglez la puissance maximale (pleine charge) de l'appareil (voir Étape 1)
- Les valeurs d'O<sub>2</sub> sont réglées avec une clé Allen (4 mm) ou un gros tournevis plat sur la vis B.



vis de réglage O<sub>2</sub> figure 28

Respectez le sens de rotation suivant :

- Sens horaire plus d'O<sub>2</sub>
- Sens anti-horaire moins d'O<sub>2</sub>

#### **i** REMARQUE

Après le réglage, contrôlez à nouveau la valeur 'O<sub>2</sub> à la puissance maximale et minimale. Voir Étapes 1 et 2.

- Remettez le couvercle noir sur la vanne gaz en place et fixez-le à l'aide de la vis.

#### **i** REMARQUE

Pour les installations en haute altitude, altitude entre 2000 pieds et 4500 pieds (600 m et 1350 m), dans la zone Canadienne, il est nécessaire de remplir le label haute altitude.

Check the appropriate model and input the recommended O <sub>2</sub> level indicated on the Installation Setting procedure /	
Vérifier le modèle approprié et avoir entré le recommandé O <sub>2</sub> niveau indiqué sur la Procédure de Cadre de Installation	
Model	E75C E110C Q85S Q130S Q175S Q205S Q175C
Altitude	2001 - 4500 feet (610 - 1585 m)
O <sub>2</sub>	
This unit has been converted as per CGA 2.17-M91 standards (only valid in Canada). Cette unité a été convertie selon la norme de CGA 2.17-M91 - seulement valide au Canada.	
Converted by/Converti par:	
Date:	Gas Type/Type de Gaz:

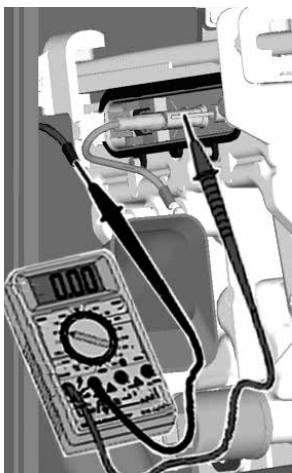
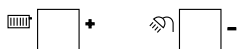
High Altitude Label (exemple)

Placez le Label haute altitude rempli sur le châssis supportant la commande. du côté gauche de la plaque signalétique.

Réglages seulement si les valeurs mesurées sont en dehors de la plage sur charge maximale. (Étape 3)		
Pleine charge	Gaz naturel	Gaz propane
O <sub>2</sub>	4.7%	5.1%

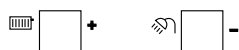
Les valeurs sont valide avec la boîte à aire fermé.

## 13.4 Mesure du courant d'ionisation



Mesure d'ionisation figure 33

- Eteignez le système à l'aide du bouton de chauffage central et du bouton d'ECS
- Débranchez le raccordement de la fiche et la prise sur la sonde et branchez l'appareil de mesure en série. Voir figure 33. Sélectionnez la plage de courant direct en  $\mu\text{A}$  sur l'appareil de mesure. L'appareil de mesure doit avoir une résolution d'au moins  $1 \mu\text{A}$ .



- Allumez le système à l'aide de la touche de chauffage central et de la touche d'ECS



- Appuyez sur la touche MODE pendant 5 secondes.



- L'affichage indique CODE, suivi d'un nombre arbitraire ;



- Sélectionnez le code C123 à l'aide des touche + ou - ;



- Appuyez sur la touche STORE pour confirmer le code (le code clignote 1 x) ;



- Appuyez sur la touche MODE jusqu'à ce que SERV s'affiche ;



- Appuyez une fois sur la touche STEP jusqu'à ce que 1 s'affiche ; 1 et OFF s'afficheront alternativement.

- Appuyez sur la touche + jusqu'à ce que la valeur maximale (en kW) soit atteinte ;  
La chaudière va brûler à pleine charge (valeur affichée en kW)  
valeur en BTU/hr = x3415

- Mesurez l'ionisation. Lorsque la chaudière est à pleine charge, le courant d'ionisation doit être  $> 4 \mu\text{A}$  ; inscrivez cette valeur dans le journal de travail.

- Appuyez sur la touche - jusqu'à ce que OFF s'affiche (maintenez la touche enfoncée).



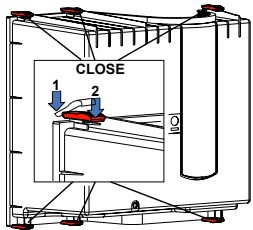
- Eteignez le système à l'aide de la touche de chauffage central et du bouton d'ECS

- Débranchez l'appareil de mesure et remettez le raccordement de la fiche et la prise sur la sonde.

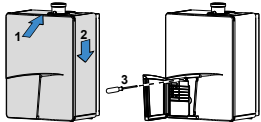


- Allumez le système à l'aide de la touche de chauffage central et de la touche d'ECS.

## 13.5 Installation de l'habillage



Installation la boîte à air  
figure 34



Placez l'habillage figure 35

- Installez la boîte à air et fermez tous les loquets. Voir figure 34 ;

- Placez l'habillage métallique sur la chaudière.
- Verrouillez l'habillage à l'aide de la vis située derrière la porte. Voir figure 35.

## 14 Maintenance

### REMARQUE

**La maintenance ou les modifications de la chaudière ne peuvent être effectuées que par un professionnel agréé.**

Pour vous protéger contre le mal, avant d'effectuer l'entretien :

- Débranchez l'alimentation électrique en éteignant la chaudière avec l'interrupteur ou en éteignant l'électricité au niveau du disjoncteur.
- Fermez le gaz avec la vanne gaz, généralement situé dessous de la chaudière.
- Fermez l'alimentation de l'eau froid. Cela peut être fait à la vanne de service généralement située dessous de la chaudière ou en éteignant l'approvisionnement de l'eau de bâtiment.

### 14.1 Examen périodique des systèmes d'évacuation fumées et de la chaudière

L'inspection de la chaudière et du système d'évacuation fumées doit être effectuée tous les 2 ans ou toutes les 4 000 heures et une maintenance complète tous les 4 ans ou toutes les 8 000 heures de fonctionnement, selon ce qui arrive en premier. A ce moment-là, les conditions d'emplacement de la chaudière doivent être prises en compte. Il est alors possible de déterminer s'il faut ou non suivre ce conseil.

### REMARQUE

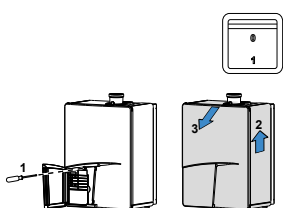
**Veillez contacter Rinnai pour d'autres directives sur la fréquence et les exigences d'entretien. Les détails de contact se trouvent au dos de ce manuel.**

### 14.2 Inspection

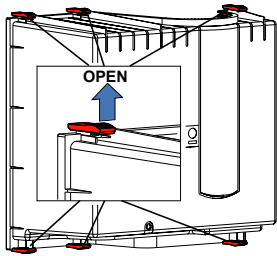
Préparation de la chaudière à l'inspection.

Pour effectuer les opérations d'inspection et de maintenance, veuillez suivre la procédure suivante :

- Coupez l'alimentation électrique ;
- Coupez le gaz ;
- Retirez la vis derrière la porte, de la façade de l'habillage de chaudière (figure 36) ;
- Soulevez l'habillage et retirez-le vers l'avant ;
- Isolez la chaudière du système à l'aide des vannes d'isolement du kit hydraulique.



Enlever l'habillage figure 36



Ouvrir la boîte à air figure 37

#### La boîte à air

- Retirez la boîte à air transparente (figure 37) ;
- Nettoyez la boîte à l'aide d'un chiffon et d'un simple produit de nettoyage (non-abrasif)

### 14.2.1 Recherche visuelle des signes généraux de corrosion

- Recherchez des signes de corrosion sur toutes les conduites de gaz et d'eau.
- Remplacez toutes les conduites corrodées.

### 14.2.2 Mesure du courant d'ionisation

Voir la sous-section 13.5 « Mesure du courant d'ionisation ».

### 14.2.3 Mesure de la pression du gaz d'entrée

Voir la sous-section 6.4.1 et .2 « Raccordement gaz au gaz naturel » et « Raccordement gaz au gaz propane ».

### 14.2.4 Recherche des fuites de gaz

Voir la sous-section 13.1 « Recherche des fuites de gaz ».

### 14.2.5 Réalisation d'un test de pression sur le système de chauffage

Voir le chapitre 10.2 « Remplissage du système de chauffage ».

### 14.2.6 Vérification des systèmes d'évacuation

Vérifiez les points suivants :

- Le système de combustion air/conduit prescrit est-il utilisé ?
- Les instructions pour configurer le système d'évacuation telles que spécifiées dans les instructions d'installation du système de gaz de combustion ont-elles été observées ?
- Vérifiez si l'entrée d'air et/ou le filtre à air et l'évacuation des gaz de combustion ne sont pas obstruées, s'il n'y pas de pollution ou s'ils ne sont pas endommagés.



#### REMARQUE

**Quand un filtre à air est utilisé, le filtre à air doit être remplacé chaque année sur les chaudières fonctionnant dans des circonstances normales. Les conditions (par exemple la qualité de l'air d'entrée) dans lesquelles la chaudière est installée doivent être prises en compte. Cela montrera si la fréquence de remplacement devrait être réduite ou augmentée. En cas de doute, contactez Rinnai.**

## 14.3 Opérations de maintenance

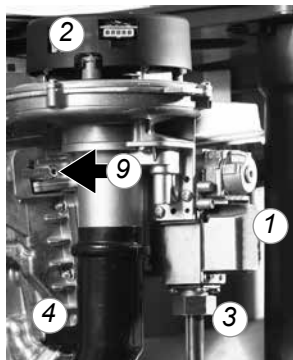
Le ventilateur et la cassette du brûleur (figure 38 à 40) (maintenance tous les 4 ans)

- Retirez la fiche de raccordement électrique de la vanne gaz (1) et du moteur du ventilateur (2) ;
- Desserrez l'écrou (3) de la conduite gaz sous la vanne gaz ;
- **Remplacez le joint par un neuf ;**
- Desserrez la vis cruciforme avant (4) du silencieux en plastique noir ;
- Tournez ensuite les deux tiges de fixation (9 et 10) d'¼ de tour et retirez-les en les tirant vers l'avant.

**Notez le sens de rotation correct (indicateur rouge, fig. 40);**

- Soulevez légèrement le ventilateur et retirez-le vers l'avant de l'échangeur de chaleur ;
- Retirez la cassette brûleur du ventilateur ;
- Vérifiez si la cassette brûleur ne montre pas de signes d'usure, de pollution et de fissures. Nettoyez la cassette brûleur à l'aide d'une brosse souple et d'un aspirateur.

### **i** REMARQUE



ventilateur et vanne de gaz  
figure 38

### **i** REMARQUE

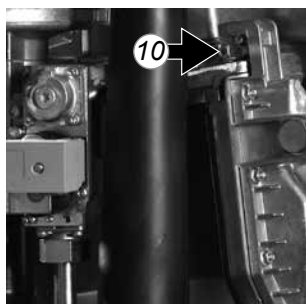


figure 39

**En cas de brûleurs fissurés, remplacez la cassette complète du brûleur ;**

- **Remplacez les joints entre le brûleur et le ventilateur ainsi que le joint entre le ventilateur et l'échangeur de chaleur ;**
- Vérifiez si le venturi et la plaque de répartition gaz/air ne sont pas pollués et nettoyez ces pièces si nécessaire à l'aide d'une brosse souple et d'un aspirateur. Si la boîte à air contient beaucoup de saletés, il est probable que le ventilateur lui-même soit également sale. Pour le nettoyer, le ventilateur doit être retiré de la hotte et du venturi. Nettoyez le ventilateur à l'aide d'une brosse souple et d'un aspirateur. Remplacez le joint et vérifiez si que tous les joints des pièces du ventilateur sont correctement montés.

Echangeur de chaleur (maintenance tous les 4 ans)

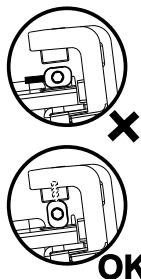
- Vérifiez si l'échangeur de chaleur n'est pas contaminé. Nettoyez-le si nécessaire à l'aide d'une brosse souple et d'un aspirateur. Evitez que des débris tombe dans l'échangeur de chaleur.

### **i** REMARQUE

**Le rinçage de l'échangeur de chaleur de haut en bas n'est pas autorisé.**

Le remontage des composants s'effectue dans l'ordre inverse.

### **!** DANGER



Tiges de fixation figure 40

**Assurez-vous que le remontage des tiges de fixation soit effectué dans la bonne position. Elles doivent être tournées à la verticale.**

**Si la chaudière est activée avec les tiges de fixation dans la mauvaise position, elle peut entraîner des dégâts immobiliers, des blessures corporelles ou la mort.**

### Electrode d'allumage (maintenance tous les 4 ans)

Cette vérification se fait en mesurant le courant d'ionisation. Le courant d'ionisation minimum doit être supérieur à 4  $\mu$ A à pleine charge.

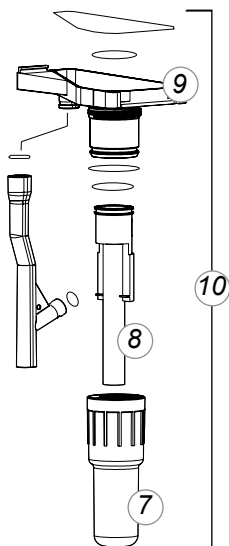
**Si le regard est endommagé, l'électrode complète doit être remplacée.**

Remplacez l'ensemble d'allumage tous les 4 ans, selon ce qui arrive en premier.

Le remplacement se fait comme suit :

- Retirez les branchements électriques de l'électrode ;
- Appuyez sur les clips des deux côtés de l'électrode et retirez l'électrode complète ;
- Retirez et remplacez le joint ;

Le remontage des composants s'effectue dans l'ordre inverse.



Collecteur de condensats  
figure 41

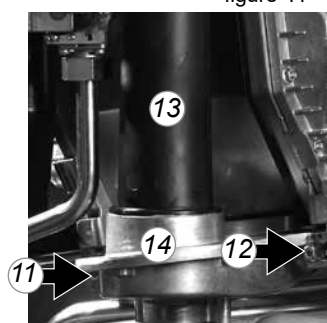
### Collecteur et condensat (figure 41 à 43) (maintenance tous les 2 et 4 ans)

#### Etape 1 : Collecteur condensat

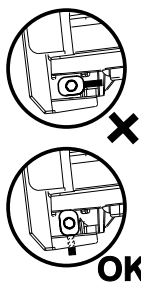
- Retirez d'abord gobelet à condensats (7) ;  
Vérifiez l'absence d'impuretés. S'il n'existe pas beaucoup d'impuretés, il n'est pas nécessaire de nettoyer le bac à condensat (passez à l'Etape 3). S'il existe beaucoup d'impuretés dans le gobelet, il est nécessaire de retirer et nettoyer le bac à condensat, conformément à l'Etape 2 ;
- Retirez le tuyau collecteur intérieur (8) qui reste dans le bac à condensat ;
- Vérifiez les joints toriques du gobelet ainsi que ceux du tuyau et remplacez-les si nécessaire ;
- Nettoyez ces pièces en les rinçant à l'eau propre ;
- Graissez à nouveau les joints toriques à la graisse pour joints toriques sans acide pour faciliter le raccordement ;
- Si une fuite apparaît au gobelet (7) ou au bac (9) à condensats, le collecteur de condensats complet (10) doit être remplacé par # 809000054 ;

#### Etape 2 : Bac à condensats

- Retirez la fiche de la sonde fumées si elle est présente ;
- Tournez les deux tiges de fixation courtes (11 et 12) d'1/4 de tour et retirez-les en les tirant vers l'avant. Notez le sens de rotation correct (indicateur rouge, fig. 43) ;
- Soulevez le conduit d'évacuation (13) du bac à condensats (14) ;
- Appuyez avec précaution sur le bac à condensats (14) vers le bas et retirez-le en le tirant vers l'avant ;
- Remplacez le joint entre le bac à condensats et l'échangeur de chaleur par un joint neuf ;
- Nettoyez le bac à condensats à l'eau et à l'aide d'une brosse dure ;
- Vérifiez l'absence de fuites sur le bac à condensats .



Plateau de condensat figure 42



Tiges de fixation figure 43



**DANGER**

**Etape 3:** Le remontage s'effectue dans l'ordre inverse.

Vérifiez si tous les joints sont complètement étanches.

**Assurez-vous que le remontage des tiges de fixation soit effectué dans la bonne position. Elles doivent être tournées à la verticale.**

**Si la chaudière est activée avec les tiges de fixation dans la mauvaise position, ceci peut entraîner des dégâts immobiliers, des blessures corporelles ou la mort.**

Mettez la chaudière en marche et vérifiez l'O<sub>2</sub> (voir chapitre 13.3).

**Si le remplacement des joints et du brûleur mentionné dans ce chapitre n'est pas effectué dans l'intervalle d'entretien prescrit par Rinnai, la chaudière peut être endommagée et provoquer des dégâts immobiliers, des blessures corporelles ou la mort.**

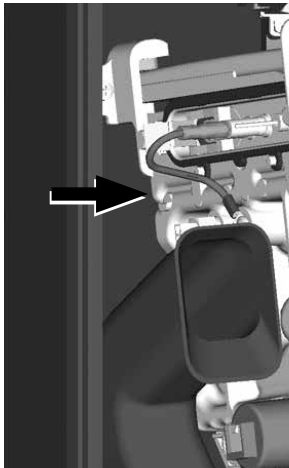
**AVERTISSEMENT**

N'utiliser que des pièces de rechange d'origine fournies par Rinnai. Si pièces non approuvées sont utilisées, la chaudière peut être endommagée et peut provoquer des dégâts immobiliers, des blessures corporelles ou la mort. L'utilisation de pièces d'une autre marque que Rinnai annule la garantie limitée.

**AVERTISSEMENT**

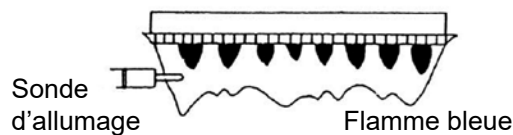
Ne pas utiliser des matériaux de substitution. Utilisez seulement les pièces certifiées avec l'appareil.

**Contrôle visuel de la flamme (maintenance tous les 2 et 4 ans)**



Regard figure 44

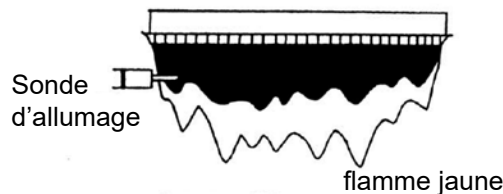
**SATISFAISANT**



La flamme du brûleur doit couvrir uniformément la surface entière lorsqu'il fonctionne correctement. La flamme doit être claire, bleue et stable.

Vérifiez la flamme par le regard de la sonde d'allumage (fig. 44).

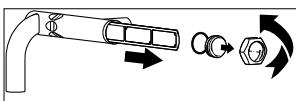
**NON SATISFAISANT**



La flamme doit ressembler au modèle indiqué dans les figures ci-contre.

Autres vérifications :

- Inspectez la soupape de sûreté
- Nettoyez le filtre à eau dans la conduite retour
- Vérifiez le pH de l'eau ou du mélange glycol/eau.



Filtre à eau figure 44a

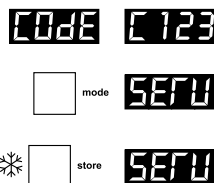
**NOTICE**

**La combustion doit être vérifiée et réglée si nécessaire à la fois les 2 ans/4000 heures et 4 ans/8000 heures d'intervalles de service avec un analyseur de combustion qui fonctionne correctement.**

Vérifiez le bon fonctionnement après l'entretien. Toujours faire un reset du compteur des intervalles de service après l'intervalle d'entretien complet (tous les 4 ans ou 8000 heures de fonctionnement).

**14.3.1 Reset du compteur des intervalles d'entretien**

A 8000 heures d'utilisation, "service" permet de faire défiler l'écran. «Good» s'affiche ainsi alternativement. Pour faire un reset de la notification d'entretien 8000 heures :

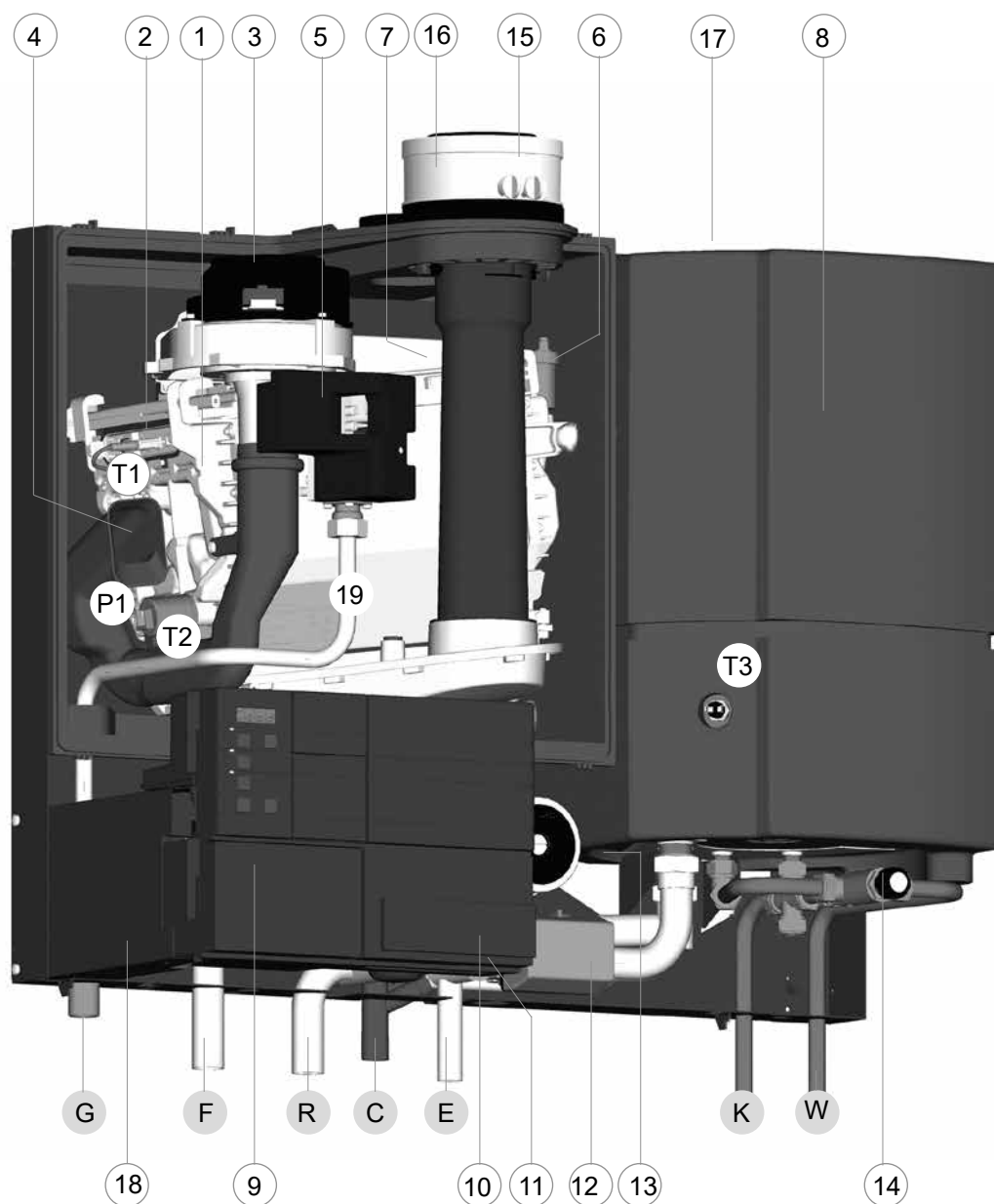


- Entrez les paramètres 1er Niveau: 123 Code
- Appuyez brièvement sur "Mode" jusqu'à ce que le chapitre <service> est affiché (SERV)
- Maintenez le bouton "Store" jusqu'à ce que SERV clignote une fois-la notification d'entretien ne sera plus affichée pendant le fonctionnement normal et le compte à rebours d'entretien sera réinitialisé à 8000.

**14.4 Garantie limitée**

Les conditions de garantie se trouvent sur la garantie fournie avec la chaudière.

## 15 Pièces de la chaudière



Rinnai Q

figure 45

1 échangeur de chaleur	8 boiler d'ECS (Q175C)	15 évacuation fumées
2 dispositif d'allumage	9 panneau de commande	16 alimentation en air de combustion
3 ventilateur	10 Boîtier de commande (SGC)	17 boîte à air
4 silenceur d'aspiration air	11 filtre à eau retour CC	18 plaque signalétique CSA (numéro de série)
5 vanne gaz	12 vanne trois voies (Q175C)	19 plaque signalétique ASME / NB / CRN
6 purgeur automatique	13 Pompe de circulation	
7 cassette de brûleur en céramique	14 Vann mélangeuse thermostatique (Q175C)	

T1 sonde départ  
 T2 sonde retour  
 T3 sonde ECS (Q175C)  
 P1 sonde pression eau

G conduite gaz  
 F raccordement départ CC  
 R raccordement retour CC  
 C conduite condensats  
 E conduite vase d'expansion (Q175C)

K conduite eau froide (Q175C)  
 W conduite eau chaude (Q175C)



## 16.1 Indications d'erreurs (références courtes)

Une erreur détectée est indiquée sur l'affichage par des messages de blocage ou d'erreur. Une distinction doit être faite entre ces deux messages du fait que le blocage peut être de nature provisoire ; toutefois, les messages d'erreur sont des blocages fixes. La commande va faire son possible pour empêcher le verrouillage et va temporairement éteindre l'appareil en le bloquant. Vous trouverez ci-après une liste de quelques messages.

Blocages **bL** avec un nombre dans les 2 dernières positions.

- bL01** Blocage 01 :  
Coupure du contact de sécurité externe
- bL05** Blocage 05:  
Le capteur extérieur n'est pas connecté
- bL11** Blocage 11 :  
Le  $\Delta T$  maximum moyen de la sonde départ et retour du chauffage central est dépassé à maintes reprises pendant le blocage, le fonctionnement normal de la production d'eau chaude est possible. La pompe continue à fonctionner à sa capacité minimale pendant le blocage.
- bL12** Blocage 12 :  
Le  $\Delta T$  maximum moyen de la sonde départ et retour de l'eau chaude sanitaire est dépassé à maintes reprises plusieurs fois. Pendant le blocage, le fonctionnement normal de l'installation de chauffage central est possible. Pendant le blocage, la pompe continue à fonctionner à sa capacité minimale.
- bL60** Blocage 60 :  
Réglage incorrect du paramètre de puissance minimale ou maximale.
- bL67** Blocage 67 :  
Un  $\Delta T$  a été détecté entre la sonde départ et retour, alors que le brûleur ne fonctionne pas. Après la disparition du  $\Delta T$ , le blocage s'efface.
- bL85** Blocage 85 :  
La commande n'a pas détectée de débit d'eau. Le cycle de purge a commencé. Si pendant ce cycle un débit d'eau est détecté, le cycle de purge se termine et le brûleur est libéré.

Erreur **E** avec un nombre dans les 2 dernières positions.

- E 00** Erreur 00 : faible formation de flamme
- E 01** Erreur 01 : court-circuit sur le circuit en 24 volts
- E 02** Erreur 02 : pas de formation de flamme
- E 04** Erreur 04 : réglage ou erreur d'interruption de tension
- E 05** Erreur 05 : réglage
- E 12** Erreur 12 : thermostat haute limite
- E 18** Erreur 18 : température départ maximale dépassée
- E 19** Erreur 19 : température retour maximale dépassée
- E 28** Erreur 28 : nombre de tours du ventilateur non signalé
- E 69** Erreur 69 : affichage inexistant ou incorrect

**FUSE** FUSE: fusible 24V défectueux



**NOTICE**

**Les pages suivantes décrivent plus en détail les instructions à suivre pour résoudre les blocages, les erreurs et les conditions pratiques. Ces instructions ne concernent que les professionnels agréés.**

## 16.1 Blocages

Une erreur qui a été détectée est signalée sur l'affichage par un message de blocage. Les blocages peuvent être de nature provisoire. La commande va faire son possible pour empêcher un blocage du système et éteindre temporairement la chaudière à la suite d'un blocage. Veuillez trouver ci-dessous un nombre des blocages. Blocages **bL** avec un chiffre sur les 2 derniers caractères.

Code	Description	Solution
<b>bL01</b>	contact de sécurité externe ouvert.	rectifiez l'erreur qui en résulte en déterminant le contact ouvert. ou réparez l'interconnexion entre 24/25
<b>bL05</b>	contact de capteur extérieur ouvert (pas connecté).	rectifiez l'erreur qui en résulte en déterminant le contact ouvert ou le capteur extérieur n'est pas connecté. Connecter le capteur extérieur ou réparer la câblage (position 18/19) ou remplacer le capteur extérieur.
<b>bL11</b>	Le $\Delta T$ maximum moyen de la sonde départ et retour du chauffage central est dépassé à maintes reprises. Pendant le blocage, le fonctionnement normal de la production d'eau chaude est possible. La pompe continue à fonctionner à sa capacité minimale pendant le blocage.	Vérifiez le débit dans toute l'installation Consultez les instructions d'installation pour les raccordements hydrauliques à la chaudière (vanne 3 voies thermostatique, kit hydraulique installé ?) Causes possibles : vannes d'arrêt (radiateur) fermées ou filtre à eau bloqué Sonde d'ambiance activée (RS101) dans une pièce non centrale (vannes thermostatiques de radiateur fermées ?) Vérifiez la hauteur de la pompe. Vérifiez la différence de température minimale et maximale dans Paramètre « step » 46 + 47.
<b>bL12</b>	Le $\Delta T$ maximum moyen de la sonde départ et retour de l'eau chaude est dépassé à maintes reprises. Pendant le blocage, le fonctionnement normal de l'installation de chauffage central est possible. La pompe continue à fonctionner à sa capacité minimale pendant le blocage.	Vérifiez le débit dans toute la chaudière et dans le boiler Consultez les instructions d'installation pour les raccordements hydrauliques à la chaudière Causes possibles : vannes d'arrêt (radiateur) fermées ou filtre à eau bloqué Résistance (serpentin) dans boiler trop élevée (voir la hauteur de pompe) Vérifiez le fonctionnement et la pollution de la vanne trois voies.
<b>bL60</b>	Réglage incorrect du paramètre de puissance minimale ou maximale	Appelez Rinnai
<b>bL67</b>	Une différence de température a été détectée entre la sonde départ et retour, alors que le brûleur ne fonctionne pas. Après la disparition du $\Delta T$ moyen, le blocage disparaît.	Vérifiez la valeur de résistance de la sonde départ et retour et remplacez la sonde défectueuse. Vérifiez toute source de chaleur externe sur l'installation et rectifiez.
<b>bL80</b>	température de la sonde fumées trop haute	Contrôlez le système d'évacuation
<b>bL81</b>	sonde fumées ou contact de thermostat ouvert	Appelez Rinnai
<b>bL82</b>	sonde fumées ou contact de thermostat fermé	Appelez Rinnai
<b>bL84</b>	sonde fumées ou contact de thermostat ouvert	Contrôlez le système d'évacuation ou contrôlez paramètre 84 pour défaut
<b>bL85</b>	Aucun débit d'eau ne peut être détecté par la commande. Le cycle de purge a commencé. Si pendant ce cycle un débit d'eau est détecté, le cycle de purge se termine et le brûleur est libéré. La commande vérifie la pression d'eau durant la situation statique et dynamique.	- Vérifiez la présence d'air dans l'installation; Si une pompe secondaire est installée et n'est pas séparée hydrauliquement, elle peut provoquer des différences de pression. - Vérifiez l'usage de vannes d'équilibrage Vérifiez que la pompe fonctionne et/ou que la sonde de pression eau fonctionne correctement ; Pompe polluée; Sonde de pression eau polluée; Filtre à eau pollué; Câblage de la pompe.
<b>bL86</b>	La fréquence de l'alimentation électrique diffère de plus de + ou -1.5Hz	vérifiez l'alimentation électrique principale

## 16.3 Erreurs




Code	Description	Solution
<b>E 00</b>	Formation incorrecte de la flamme. La chaudière n'a pas brûlée, mais un débit d'ionisation (flamme) a encore été détecté	Vérifiez si le câble et/ou l'électrode d'ionisation sont responsables d'un court-circuit possible. Retirez les fiches du câble d'ionisation raccordées à l'unité de commande et à l'électrode. Maintenant, à l'aide d'un compteur universel, prenez une mesure entre le raccord d'ionisation et la terre, remettez tout en état pièce par pièce, jusqu'à ce qu'un court-circuit ait lieu. Rectifiez le court-circuit et remplacez cette pièce si nécessaire.
<b>E 01</b>	Court-circuit en 24 Volt	Vérifiez le branchement en 24 volts. Retirez toutes les fiches avec raccordement en 24 volts, comme : ventilateur, pompe, vannes trois voies et fiche 24 volts au bloc de raccordement. Vérifiez les courts-circuits sur les composants débranchés. Rallumez l'alimentation électrique sur l'unité de commande avec tous les composants débranchés. Rebranchez les composants qui ont été vérifiés et qui fonctionnent. Rectifiez le court-circuit ou remplacez le composant court-circuité.
<b>E 02</b>	Pas de formation de flamme	Vérifiez les données en mode Erreur. Données chaudière pendant une erreur. 1 erreur = 02 2 état de fonctionnement = 02 3 temp. départ = xx* 4 temp. retour = xx* 5 Brûleur kW = xx** 6 % pompe = xx* * = valeurs variables ** = x 3451 = BTU/hr
1	Pas de différence de température entre départ (3) et retour (4)	La chaudière n'a pas pu allumer ni recevoir de gaz. La chaudière tente de démarrer 6 fois avec une charge croissante de démarrage après le temps de sécurité. Vérifiez si : - le vanne gaz est ouverte ; - il y a du courant sur la vanne gaz ; - le vanne gaz s'ouvre La pré-pression préliminaire minimale du gaz pendant le démarrage doit être au minimum de 7 po CE (17 mbar), vérifiez les 24 Volts dans le gaz pendant l'allumage, le bloc en position ouverte
2	Il existe une différence de température entre départ (3) et retour (4)	La chaudière s'est éteinte après l'allumage. En raison d'une ionisation insuffisante, le brûleur s'est éteint après l'allumage Débit d'ionisation, câble d'ionisation ou réglage de l'O <sub>2</sub> . Le débit minimum d'ionisation doit être de 4 µA, l'O <sub>2</sub> doit être d'un minimum de 4.4% pour Gaz Naturel ou 4.8% pour Gaz Propane.
<b>E 03</b>	Erreur de la régulation	Connecteur pas connecté dans la vanne gaz ou un défaut dans les câblage de la vanne gaz. Erreur du logiciel de l'unité de commande. Remplacez l'unité de commande. L'écran va automatiquement charger le programme dans la nouvelle commande.
<b>E 04</b>	La commande a détecté une erreur de programme	Faites un reset de la chaudière. La chaudière indique automatiquement ce message si pendant une lecture d'erreur, le courant vers la chaudière est coupé. Après le rétablissement du courant, si l'erreur responsable de l'interférence n'est plus présente, ce message s'affiche. Rectifiez l'erreur précédente. Si l'erreur 04 persiste, et les erreurs précédentes ne se produisent pas, remplacez l'unité de commande

Code	Description	Solution
<b>E 05</b>	Erreur unité de commande	Vérifiez la stabilité 120V. Si la tension dévie plus qu'entre +10% et -15%, l'alimentation électrique doit être stabilisée. Vérifiez le câble ruban entre l'unité de commande et l'afficheur; si nécessaire remplacez-le
	L'erreur persiste après reset	Erreur du logiciel de l'unité de commande, remplacez l'unité de commande. l'unité de commande va automatiquement charger le programme dans la nouvelle unité de commande.
<b>E 06</b>	Erreur unité de commande	L'humidité sur le circuit imprimé. Vérifiez s'il ya des fuites d'eau sur ou dans la chaudière. Arrêter la fuite et remplacer le contrôleur MCBA
<b>E 07</b>	Erreur unité de commande	
	1 Fil de résistance d'anticipation pas présente.	Quand un thermostat d'ambiance 'power stealing' est placé la borne de raccordement doit être prévue du fil spécial de résistance d'anticipation.
	2 Erreur du logiciel unité de commande.	Remplacez l'unité de commande. La commande va automatiquement charger le programme dans la nouvelle unité de commande.
<b>E 11</b>	Erreur unité de commande	Des données incorrectes seront détectées en cas de mauvaise connexion entre l'appareil de contrôle et l'afficheur. Si nécessaire, remplacez le câble ruban entre ces deux composants.
	L'erreur persiste après réinitialisation	Erreur de logiciel de l'appareil de contrôle. Remplacez l'unité de commande. La commande va automatiquement charger le programme dans la nouvelle l'unité de commande.
<b>E 12</b>	Thermostat haute limite ouvert	Température départ trop haute. A cause de: - présence d'air - pollution possible de la turbine de la pompe de circulation - pollution filtre interne
		Vérifiez le purgeur automatique. Remplacez le purgeur automatique si nécessaire et redémarrez la chaudière pour redémarrer le programme de purge (17min.)
		Vérifiez le débit de l'eau de l'installation. Si nécessaire nettoyer la pompe et/ou le filtre. Rincez tout le système.
		Vérifiez le réglage des vannes d'équilibrage.
<b>E 13</b>	Erreur unité de commande	Remplacez l'unité de commande. La commande va automatiquement charger le programme dans la nouvelle l'unité de commande.
<b>E 14</b>	- connexion à la terre la sonde départ T3 - défaut sonde départ T3 - défaut de la régulation	Vérifiez les données en mode Erreur. Données chaudière pendant une erreur. 1 erreur = 14 2 état de fonctionn. = 00 3 temp. départ = -22 4 temp. retour = xx* 5 kW brûleur = 00** 6 % pompe = xx* * = valeurs variables **= x 3451 = BTU/hr
		Une température de - 36 est affichée en position 3. Vérifiez le câblage et/ou mesurez la résistance du la sonde départ. La résistance doit être d'environ 12 kOhm à 25°C / 77°F. (Voir Annexe B) Si nécessaire, remplacez le sonde de débit.
	- défaut de thermostat boiler indirect	Remplacez le thermostat par une sonde T3 (avec câble) pour boiler indirect.

Code	Description	Solution
<b>E 18</b>	Signal de température eau départ maximale dépassée ( $T_1 > 100^\circ\text{C} / 212^\circ\text{F}$ ).	Vérifiez la température départ réelle. Brusque augmentation causée par l'arrêt hydraulique complet de la chaudière (filtre, pompe, vanne thermostatique, vanne de service) Vérifiez la sonde départ NTC1. Mesurez la valeur de la résistance (voir tableau) (Voir Annexe B) Changez la pièce défectueuse si nécessaire. Changez l'unité de commande si l'erreur persiste.
<b>E 19</b>	Signal de température eau retour maximale dépassée ( $T_2 > 212^\circ\text{F}$ ).	Vérifiez la température retour réelle. Augmentation de température provoquée par une source de chaleur externe ? Vérifiez la sonde retour NTC 2. Mesurez la valeur de la résistance (voir tableau) (Voir Annexe B) Changez la pièce défectueuse si nécessaire. Changez l'unité de commande si l'erreur persiste.
<b>E 24</b>	T1 et T2 (échangées).	Température T2 est mesuré supérieur à T1. Vérifiez la valeur de résistance de T1 et T2 et remplacer T1 ou T2.
<b>E 26</b>	Défaut commande	Changez l'unité de commande
<b>E 28</b>	Aucun signal du ventilateur	Le ventilateur ne tourne pas. Vérifiez le câblage du ventilateur et de l'unité de commande et/ou l'alimentation électrique en 24 volts du ventilateur Le câblage et la tension sont OK et l'erreur persiste. Remplacez le ventilateur
<b>E 29</b>	Pression négative sur le système d'évacuation fumées (différence de pression)	Vérifier le système d'évacuation fumées. Le système d'évacuation fumées doit être installé selon les instructions d'installation Si le système d'évacuation fumées est OK: Remplacez le ventilateur
<b>E 31</b>	Arrêt interne de la sonde départ T1	Vérifiez les données en mode Erreur. Données chaudière pendant une erreur. 1 erreur = 31 2 état de fonctionn. = 00 3 temp. départ = 230 4 temp. retour = xx* 5 kW brûleur = 00** 6 % pompe = xx* * = valeurs variables ** = x 3451 = BTU/hr Vérifiez le câblage de la sonde Le câblage est OK, mais l'erreur persiste. Retirez la fiche de la sonde départ qui provoque l'Erreur 36 Remplacez la sonde.
<b>E 32</b>	Arrêt interne de la sonde retour T2	Vérifiez les données en mode Erreur. Données chaudière pendant une erreur. 1 erreur = 32 2 état de fonctionn. = 00 3 temp. départ = xx* 4 temp. retour = 230 5 kW brûleur = 00** 6 % pompe = xx* * = valeurs variables ** = x 3451 = BTU/hr Vérifiez le câblage de la sonde Le câblage est OK, mais l'erreur persiste. Retirez la fiche de la sonde retour qui provoque l'Erreur 37 Remplacez la sonde.

Code	Description	Solution
<b>E 36</b>	Contact de la sonde départ T1 ouvert	<p>Vérifiez les données en mode Erreur. Données chaudière pendant une erreur.</p> <p>1 erreur = 36  2 état de fonctionn. = 00  3 temp. départ = -22  4 temp. retour = xx*  5 kW brûleur = 00**  6 % pompe = xx*</p> <p>* = valeurs variables  ** = x 3451 = BTU/hr</p> <hr/> <p>Vérifiez le câblage de la sonde</p> <hr/> <p>Le câblage est OK, mais l'erreur persiste. Retirez la fiche de la sonde départ qui provoque l'Erreur 31</p> <hr/> <p>Remplacez la sonde.</p>
<b>E 37</b>	Contact du capteur de retour T2 ouvert	<p>Vérifiez les données en mode Erreur. Données de la chaudière pendant une erreur.</p> <p>1 erreur = 37  2 opérationnel état = 00  3 temp. de départ = xx*  4 temp. de retour = -22  5 Brûleur kW = 00**  6 % pompe = xx*</p> <p>* = valeur variable  ** = x 3451 = BTU/hr</p> <hr/> <p>Vérifiez le câblage de la sonde</p> <hr/> <p>Le câblage est OK, mais l'erreur persiste. Retirez la fiche de la sonde retour qui provoque l'Erreur 32</p> <hr/> <p>Remplacez la sonde.</p>
<b>E 41</b>	Erreur unité de commande	Erreur du logiciel de l'unité de commande. Remplacez l'unité de commande. L'affichage va automatiquement charger le programme dans la nouvelle régulation.
<b>E 42</b>	Erreur unité de commande	Erreur du logiciel de l'unité de commande. Remplacez l'unité de commande. L'affichage va automatiquement charger le programme dans la nouvelle unité de commande.
<b>E 44</b>	Fuite électrique à la terre.	Humidité sur la commande PCB (circuit imprimé). Vérifiez s'il y a des fuites d'eau sur ou dans la chaudière
		Arrêtez de fuite d'eau et remplacez la commande.
<b>E 68</b>	Aucun logiciel présent	L'unité de commande et l'affichage ne disposent pas d'un programme. Un nouvel affichage et une nouvelle unité de commande ont été installés en même temps. Echangez les pièces et le chargement démarrera automatiquement et s'affiche à l'écran <b>COPY</b> .
<b>E 69</b>	Problème de câble ruban	Remplacez le câble ruban
<b>E 80</b>	La température des fumées trop haute (paramètre 84 réglage par défaut 212 ° F)	Remplacez la sonde fumées ou réglez le paramètre 84 par défaut.
<b>FUSE</b>	Fusible sur le commande PCB défectueux ou Transformateur de câble non connecté	<p>Remplacez le fusible.</p> <p>Un fusible de rechange de 4A et 5A se trouve à l'intérieur du boîtier de commande juste au-dessus du circuit imprimé.</p>

## 16.4 Autres erreurs

Plainte	Description	Solution
<b>Chauffage central mais pas d'eau chaude</b>	1. La touche  du programme d'ECS n'est pas activée	Activez le programme d'ECS sur le boîtier de commande
	2. Sonde ou thermostat boiler défectueux.	Remplacez la sonde ou le thermostat boiler.
	3. Lors de l'utilisation du RS100	<ul style="list-style-type: none"> <li>- Vérifiez les heures de la minuterie du programme ECS, réinitialisez si nécessaire</li> <li>- Le RS100 ne répond pas au programme d'ECS</li> <li>- Se référer aux instructions d'installation du RS100</li> </ul>
	4. La vanne trois voies ne circule pas vers l'ECS	<ul style="list-style-type: none"> <li>- Vérifiez le câblage.</li> <li>- Remplacez le moteur de la vanne trois voies si nécessaire.</li> </ul>
<b>Eau chaude mais pas de chauffage central</b>	1. La touche  du programme de chauffage central n'est pas activée.	Activez le programme de chauffage central
	2. Le thermostat d'ambiance (on/off) n'envoie aucun signal à la chaudière.	Vérifiez le thermostat d'ambiance
	3. RS100 avec sonde extérieure (sonde d'ambiance sur On)	<ul style="list-style-type: none"> <li>- La température extérieure est supérieure à 70°F (21°C), selon la consigne d'éco-température (70°F est la valeur par défaut). Vérifiez l'étape 7 du chapitre Info ou si la température est supérieure à la consigne d'éco-température (voir les instructions d'installation du RS100).</li> <li>- Vérifiez le programme de la minuterie et réglez la température ambiante.</li> </ul>
	4. La vanne trois voies ne circule pas vers la position de chauffage central.	Vérifiez le câblage, remplacez le moteur de la vanne trois voies.
<b>L'installation du chauffage central chauffe sans l'avoir commandé</b>	1.  -La touche du programme de pompe est activée.	Arrêt.
	2. Saletés dans la vanne trois voies ou cartouche de vanne trois voies enrayée.	Nettoyez ou remplacez.
	3. Vase d'expansion n'est pas installé correctement	Raccordez le vase d'expansion entre la vanne trois voies et la pompe (pour la chaudière Combi ou Solo avec un boiler externe la conduite de raccordement est présente)
<b>Quantité insuffisante d'eau chaude</b>	1. Raccordements de l'eau chaude et de l'eau froide à la chaudière confondus.	Vérifiez gauche = froid, droite = chaud
	2. Vanne de réduction du débit incorrecte.	<ul style="list-style-type: none"> <li>- Vérifiez le type et la contamination, et si nécessaire, remplacez (combi) et/ou nettoyez.</li> <li>- Vérifiez le réglage de la vanne de synchronisation de confort conformément aux instructions d'installation.</li> </ul>
	3. En l'absence de résultats positifs	Vérifiez l'entartrage. Si nécessaire, détartrez ou remplacez

Plainte	Description	Solution
<b>Chute de température de l'ECS (Combi)</b>	1. Vanne de réduction du débit.	Vérifiez le type de vanne de réduction conformément aux instructions d'installation
	2. Vanne mélangeuse thermostatique incorrectement réglée	Réglez (en mesurant la température)
	3. La puissance ECS est réglée trop basse pour la chaudière.	- Vérifiez le chapitre PARA <step> No. 43 - Vérifiez le fonctionnement et le câblage de la sonde ECS T3.
<b>Chute de température eau chaude de la Solo avec boilers externe</b>	1. Vanne de synchronisation	Vérifiez le réglage conformément aux instructions d'installation illustrées du boiler
	2. Vanne mélangeuse thermostatique incorrectement réglée	Réglez en mesurant la température
	3. Température d'eau chaude trop basse	Vérifiez le chapitre PARA <step> No. 31 ou le RS100 est réglé trop bas. Vérifiez le fonctionnement et le câblage la sonde ECS T3
	3. La puissance de l'eau chaude est réglée trop basse pour la chaudière	Vérifiez le chapitre PARA <step> No. 43
<b>Les radiateurs ne chauffent pas assez ou le chauffage prend trop de temps</b>	1. Vérifiez le réglage du thermostat d'ambiance ou le RS100	Voir manuel d'installation et le mode d'emploi RS100
	2. température eau départ trop basse.	Vérifiez le réglage au chapitre PARA <step> No. 1 et augmentez si nécessaire
	3. choix incorrect d'installation	Chapitre PARA Etape No. 2 changez si nécessaire.
	4. résistance de l'installation trop élevée (étant donné une T moyenne > 36°F(2°C), la chaudière réduit la charge).	- Voir les instructions d'installation. - Vérifiez / nettoyez le filtre à eau, vérifiez les dimensions des conduites. - Si nécessaire, augmentez la vitesse de la pompe Para 48

## 18 Liste des pièces du système d'évacuation

Produits d'évacuation enregistrés et examinés pour E75C, E110C, Q85S, QP85, Q130S, QP130, Q175S, Q175C et Q205S

Fabricant	Description	Pièce #	
Heatfab	DGV 3"/5" (76/127mm) Pièce T Concentrique aspiration air 3" (76mm)	DGV03TAD3	
	DGV 3"/5" (76/127mm) Conc. X 12" (305mm) Longueur	DGV03L12	
	Concentrique	DGV 3"/5" (76/127mm) Conc. X 31" (787mm) Longueur	DGV03L36
		DGV 3"/5" (76/127mm) Adaptateur Term Conc Hor	DGV03HT
		DGV 3"/5" (76/127mm) Adaptateur Term Conc Vert	DGV03VT
	Conduit double	Chapeau pluie	SGV300
		3"- Adaptateur pour tenir dans un collet de vent 80 mm	adaptateur
		3"- 12 Longueur	SGV302
		3"- 31" Longueur	SGV307
		3"- 90 Deg Tr coude	SGV314
		3"- Grille sortie évacuation	SGV392
		3"- Bride murale plate	SGV393
		3"- Grand cône, toit plat- pente 2/12	SGV3TCF
	Fabricant	Description	Pièce #
IPEX	Sortie concentrique évacuation	1CT0303	
	PVC - FGV Kit concentrique	196006	
	PVC - FGV Kit de sortie murale	81219	
	CPVC - FGV Kit de vent concentrique	197009	
	Grille sortie évacuation	196051	
Fabricant	Description	Pièce #	
Simpson Dura-Vent	3" (76mm) SS système flexible de revêtement	3SFLEX-XX 294590	
	3" (76mm) FasNSeal Flex-to-FasNSeal Adaptateur femelle	304003	
	3" (76mm) FasNSeal-to-FasNSeal Adaptateur Flexible mâle	304103	
	80mm à 3" Adaptateur appareil	FSA-80MM3	
	Sortie verticale	300325	
	3" (76mm) Coude 90 degrés	300160	
	3x5 AL294C Concentrique (12" Conduit droit)	35CVS-12	
	3x5 AL294C Concentrique (36" Conduit droit)	35CVS-36	
	3x5 AL294C Concentrique (48" Conduit droit)	35CVS-48	
	3x5 AL294C Concentrique (90° Coude)	35CVS-E90	
	3x5 AL294C Concentrique (45° Coude)	35CVS-E45	
	3x5 AL294C Concentrique (Attache murale)	35CVS-WS	
	3x5 AL294C Concentrique (Chapeau horizontal)	35CVS-HC	
	3x5 AL294C Concentrique (Chapeau vertical)	35CVS-VC	
	3x5 Combustion étanche longueur évacuation 6"	SC-0603	
	3x5 Combustion étanche longueur évacuation 12"	SC-1203	
	3x5 Combustion étanche longueur évacuation 18"	SC-1803	
	3x5 Combustion étanche longueur évacuation 24"	SC-2403	
	3x5 Combustion étanche longueur évacuation 36"	SC-36-3	
	3x5 Combustion étanche évacuation longueur ajustable	SC-AVL3	
	3x5 Combustion étanche coude 94°	SC-94033	
	Kit Mur (avec chapeau)	FSSCWMK35	
	Kit Toit (avec chapeau)	FSSCTRK35	
Fabricant	Description	Pièce #	
Rinnai/ Ubbink	Sections à 1 mètre de PPS/PVC, 3"/5" (76/127mm)	224080	
	90 degrés, mâle x femelle, PPS/PVC, 3"/5" (76/127mm)	224078	
	Sortie horizontale en PPS, 21" (533mm)	223175	
	Sortie verticale en PPS	184162	
	Kit sortie horizontale rehaussé (tuba) pour condensation	224047PP	
	Coude condensation 45 Deg. Conduite évacuation 2 pcs	224077PP	
	Inox:	Sections à 1 mètre de Inox/PVC, 3"/5" (76/127mm)	224204SS
		90 degrés, mâle x femelle, Inox/PVC, 3"/5" (76/127mm)	224201SS
		Sortie horizontale Inox, 21" (533mm)	223178SS
		Sortie verticale Inox	184221SS

Fabricant	Description	Pièce #
York International	3" PVC Sortie concentrique évacuation	1CT0303

Fabricant	Description	Pièce #
CentroTherm	3"/4" B-Vent Chapeau de cheminée	IABC0304
	3"/5" B-Vent Chapeau de cheminée	IABC0305
	3"/6" B-Vent Chapeau de cheminée	IABC0306
	3"/7" B-Vent Chapeau de cheminée	IABC0307
	3" Rondelle de connexion	IANS03
	3" Serrage de support	IASC03
	3" Rondelle	IASP03
	3" Paravent PPs-UV Noir	IASPP03
	3" Paravent de l'oiseau Inox	IASS03
	3" Chapeau mur Noir	IAWP03B
	3" Chapeau mur Blanc	IAWP03W
	3" Adaptateur Tuyau parallèle à 3"/5" Concentrique	ICTC0335
	3" Support de base	ISBS0387
	3" Chapeau de cheminée Inox w/PPs-UV Tuyau final	ISCM03
	3" Chapeau de cheminée PPs-UV Noir	ISCP03
	3" Chapeau de cheminée Inox w/Inox Tuyau final	ISCS03
	3" x 45 Coude	ISEL0345
	3" x 87 Coude	ISEL0387
	3" x 45 Coude Long	ISELL0345
	3" x 45° Coude Long PPs-UV Noir	ISELL0345UV
	3" x 87 Coude Long	ISELL0387
	3" x 87° Coude Long PPs-UV Noir	ISELL0387UV
	3" x 87° Coude de balayage	ISELR0387
	3" x 20" Tuyau final PPs-UV Noir	ISEP03
	3" x 39" Tuyau final PPs-UV Noir	ISEP0339
	3" Joint EDPM Mur Solo	ISGE03
	3" T de vidange Horizontale	ISHDT03
	3" Kit Mur Profile basse	ISLPT0303
	3" T	IST03
	3" Port de test	ISTP03
	3" Terminal T Long	ISTT0320
	3" x 12" Tronçon	ISVL031
	3" x 24" Tronçon	ISVL032
	3" x 24" Tronçon PPs-UV Noir	ISVL032UV
	3" x 36" Tronçon	ISVL033
	3" x 39" Tronçon UV Noir	ISVL0339UV
	3" x 72" Tronçon	ISVL036
	3"/5" Kit Toit Concentrique PPs-UV	ICRT3539
	3"/5" Kit Mur Concentrique PPs-UV	ICWT352
	3" to 2" Venturi	ISVC0302

Divers	
Terminal	General PVC 1120 3" SCH 40 DWV ASTM D 2665 900 Coude
Tuyeau d'air entrée	PVC 1120 3" SCH 40 DWV ASTM D 2665
Tuyeau de ventilation	PVC 1120 3" SCH 40 DWV ASTM D 2665

Informations de contact des fabricants pour Instructions d'installation et Listes des pièces:

**Heat-Fab**

Téléphone: 800-772-0739  
Fax: 413-863-4803  
cystsvc@heat-fab.com  
www.heatfab.com

**IPEX**

Téléphone: 800-463-9572  
905-403-0264  
Fax: 905-403-9195  
www.ipexamerica.com

**Simpson Dura-Vent**

Téléphone: 518-463-7284  
Fax: 518-463-5271  
sales@duravent.com  
www.protechinfo.com

**Rinnai/Ubbink**

Téléphone: 800-621-9419  
Fax: 678-829-1666  
www.rinnai.us

**York International**

Téléphone: 405-364-4040  
877-874-7378  
www.york.com/products/unitary/

**CENTROTHERM Eco System**

Téléphone: 877-434-3432  
Fax: 518-618-3166  
info@centrotherm.us.com  
www.centrotherm.us.com

## 19 Directives d'évacuation commune

Ne raccordez pas une évacuation commune au conduit d'évacuation de tout autre chauffage ou appareil. Toutefois, si une chaudière existante est enlevée d'un système d'évacuation commun, ce dernier est probablement trop grand pour une bonne évacuation des appareils qui y restent connectés.

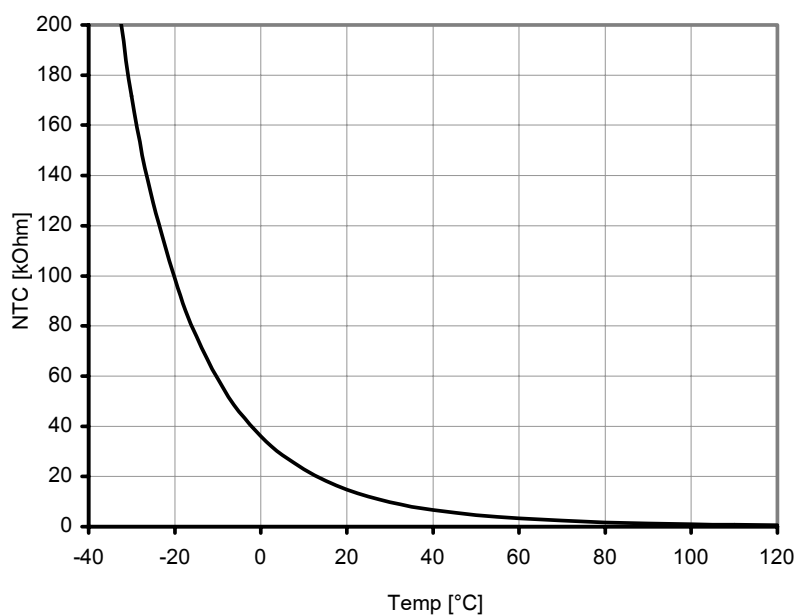
Au moment du retrait d'une chaudière existante, les mesures suivantes doivent être prises pour chaque appareil qui reste raccordé au système d'évacuation commun et qui fonctionne alors que d'autres appareils toujours raccordés au système d'évacuation ne fonctionnent pas :

- (a) Scellez toutes les ouvertures non utilisées du système d'évacuation.
- (b) Inspectez de façon visuelle le système d'évacuation pour déterminer les bonnes mesures et l'inclinaison horizontale qui conviennent et s'assurer que le système est exempt de blocage ou d'obstruction, de fuite, de corrosion et autres défaillances qui pourraient présenter des risques.
- (c) Dans la mesure du possible, fermez toutes les portes et les fenêtres du bâtiment et toutes les portes entre l'espace où les appareils toujours raccordés au système d'évacuation sont installés et les autres espaces du bâtiment. Mettez en marche les sèche-linge, tous les appareils non raccordés au système d'évacuation commun et tous les ventilateurs d'extraction comme les hottes de cuisine et les ventilateurs des salles de bain. S'assurer que ces ventilateurs fonctionnent à la vitesse maximale. Ne pas faire fonctionner de ventilateur d'été. Fermez les registres des cheminées.
- (d) Mettre l'appareil inspecté en marche. Suivre les instructions d'allumage. Réglez le thermostat de façon que l'appareil fonctionne sans interruption.
- (e) Faites fonctionner le brûleur principal pendant 5 min ensuite, déterminer si le coupe-tirage déverse à l'ouverture de décharge. Utilisez la flamme d'une allumette ou d'une chandelle ou la fumée d'une cigarette, d'un cigare ou d'une pipe.
- (f) Une fois qu'il a été déterminé, selon la méthode indiquée ci-dessus, que chaque appareil encore raccordé au système d'évacuation évacue de façon adéquate, remettez les portes et les fenêtres, les ventilateurs, les registres de cheminées et les appareils au gaz à leur position originale.
- (g) Tout mauvais fonctionnement du système d'évacuation commun devrait être corrigé de façon à ce que l'installation soit conforme au National Fuel Gas Code, ANSI Z223.1/NFPA 54 et (ou) aux codes d'installation CAN/CSA B149.1. Si la section du système d'évacuation doit être redimensionnée, le système devrait être modifié pour respecter les valeurs minimales des tableaux appropriés de l'annexe F du National Fuel Gas Code, ANSI Z223.1/NFPA 54 et (ou) les codes d'installation CAN/CSA B149.1.

## Annexe A – Données de la sonde extérieure de reset

R 25 °C	12 kΩ
R 100 ° C	950 Ω
B <sub>25/85</sub>	3750 K
Coefficient de température	-4,2 %/K

Temp [°C]	NTC [kOhm]
-30	171.70
-20	98.82
-10	58.82
0	36.10
10	22.79
20	14.77
25	12.00
30	9.81
40	6.65
50	4.61
60	3.25
70	2.34
80	1.71
90	1.27
100	0.95
110	0.73
120	0.56



## Annexe B - Tableau de résistance des sondes NTC

<b>NTC 12K</b> <b>(12kΩ/77°F)</b> sonde départ / supply sensor T1 sonde retour / return sensor T2 sonde ECS / DHW sensor T3 sonde extérieur / outside sensor T4 sonde fumées / flue gas sensor T5		
°C	°F	
-20	-4	98,000
-18	-0.4	90,000
-16	3.2	82,000
-14	6.8	74,000
-12	10.4	66,000
-10	14	58,000
-8	17.6	53,500
-6	21.2	49,000
-4	24.8	45,000
-2	28.4	40,500
0	32	36,000
2	35.6	33,500
4	39.2	30,900
6	42.8	28,200
8	46.4	25,600
10	50	23,000
12	53.6	21,400
14	57.2	19,900
16	60.8	18,100
18	64.4	16,600
20	68	15,000
22	71.6	14,000
24	75.2	12,900
26	78.8	11,900
28	82.4	10,850
30	86	9,800
32	89.6	9,100
34	93.2	8,500
36	96.8	7,900
38	100.4	7,200
40	104	6,500
45	113	5,600
50	122	4,600
55	131	4,000
60	140	3,400
70	158	2,300
80	176	1,700
90	194	1,300
100	212	950

Tableau de resistance des sondes NTC



# Rinnai®

EXPERIENCE OUR INNOVATION™

800000021 09/2016

**Distributor for the USA and Canada**

**Distributeur pour les États-Unis et le Canada**

Rinnai America Corporate • 103 International Drive • Peachtree City, GA 30269  
Toll Free: (800) 621-9419 • Tel: (678) 829-1700 • Fax: (678) 829-1666 • E-mail: [info@rinnai.us](mailto:info@rinnai.us) • Internet: [www.rinnai.us](http://www.rinnai.us)

E. & O. E.

This renewed publication cancels all previous installation instructions. The company reserves the right to change the specifications and dimensions without prior notice.  
Cette publication mise à jour annule toutes les instructions d'installation précédents. La société se réserve le droit de modifier les spécifications et les dimensions sans avis préalable